

Planned document changes:

Briefly:

2026-05-22. Correct screw POS.19: 610403 (5x30).

Document changes:

Date:	Change:	Rev. after change:
2025-07-02	Rot. hoses on photos corrected.	D
2025-05-22	No Grab function if hitch is not equipped for GR/GRD.	C
2025-04-30	Hose for CW05 added. Photos added.	B
2025-03-27	Layout/irrelevant.	A
2024-10-29	New document.	-

Readers note:

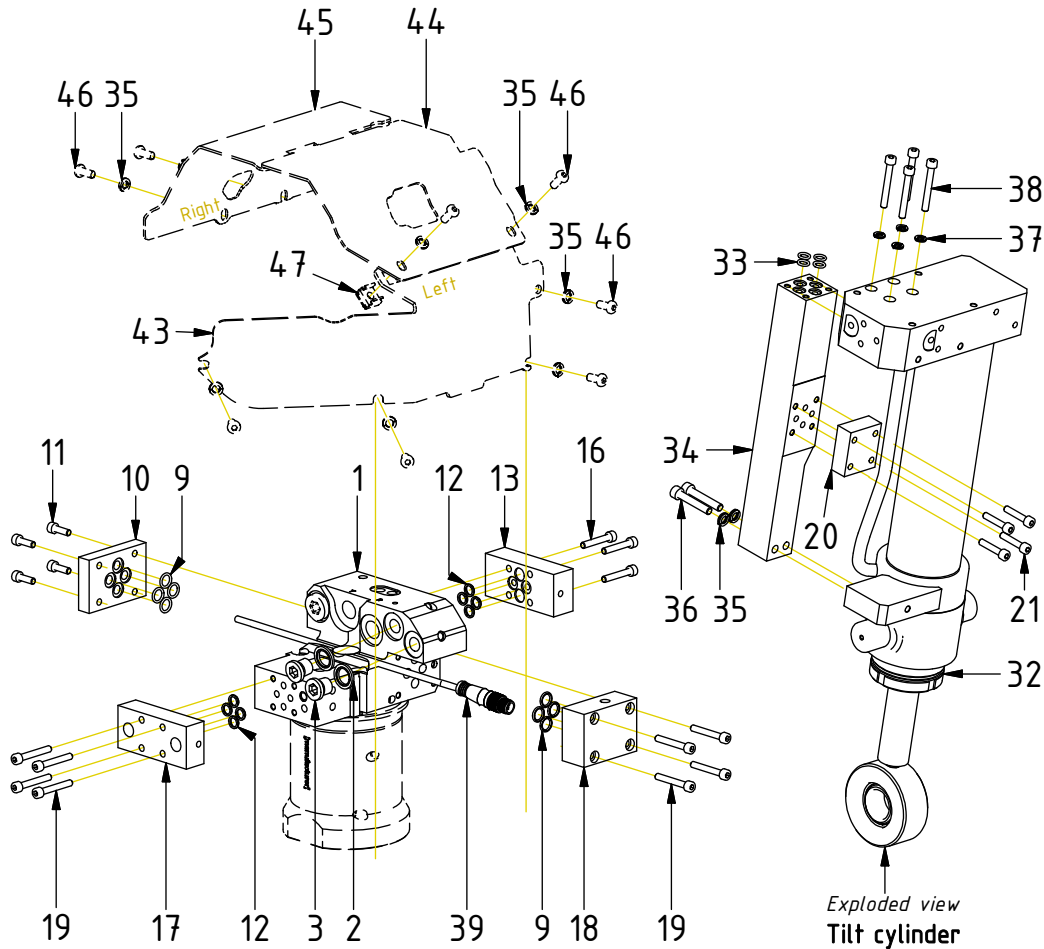


Indicates instruction.



Represents Hose.

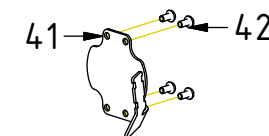
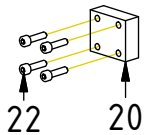
Dashed lines for overview, mounts
on other pages/assemblies.



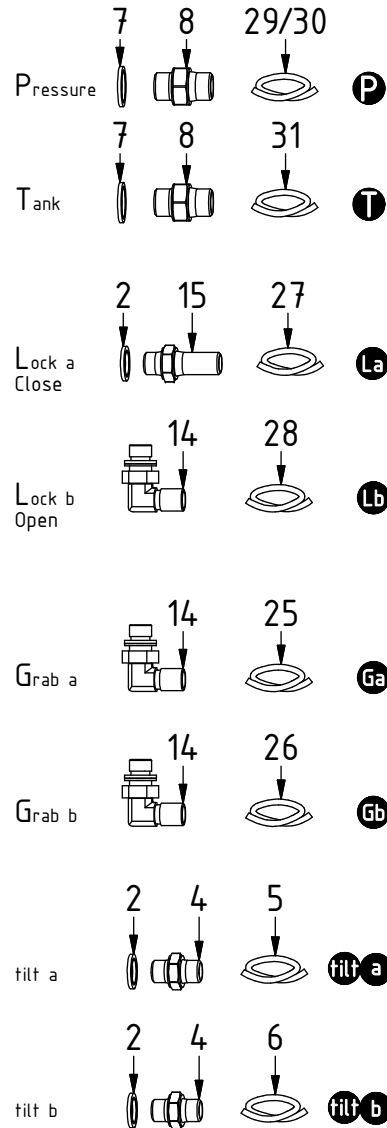
POS	DESCRIPTION	PART	QTY	COMMENTS
1	Valve block EC204B	1078622	1	Part of quick hitch
2	Washer GBR04 1/4	710702	5	
3	Plug 153-04 (1/4")	711505	2	
9	O-ring 9,25x1,78	710901	8	
10	Cover plate NG6	730320	1	
11	Screw MC6S M5x16 12.9	610401	4	
12	O-ring 7,65x1,78	710960	8	QTY: 4 without GR/GRD
13	Connection block	1036082	1	
16	Screw MC6S M5x30 12.9	610403	3	Torque: 9,7Nm
17	Connection block 2x1/4" NG4	1009586	1	
18	Block overflow NG6	1005844	1	
19	Screw MC6S M5x35 12.9	610404	8	Torque: 9,7Nm QTY: 4 without GR/GRD
20	Block overflow NG4	730151	1	QTY: 2 without GR/GRD
21	Screw MC6S M5x25 12.9	610402	4	
22	Screw MC6S M5x20 12.9	610400	4	
32	Tilt cylinder EC204B	1077744	1	Part of top part
33	O-ring 6,75x1,78	7001940	4	
34	Valve block tilt cylinder	1075504	1	
35	Washer NL 6mm	611039	10	QTY: 8 part of make up
36	Screw MC6S M6x35 12.9	610591	2	
37	Washer NL 5mm	611038	4	
38	Screw MC6S M5x40 12.9	610405	4	Torque: 9,7Nm
39	Q-Safe connector			
40	Cable QS QLM ss9-2 M12	8002249	1	
43	Protective cover EC204B Lower	1076425	1	Part of make up
44	Protective cover EC204B Left	1076007	1	Part of make up
45	Protective cover EC204B Right	1076360	1	Part of make up
46	Screw K6S M6x14 10.9 FZB	6000242	8	Part of make up
47	Cage nut M6	6000411	2	Part of make up



Without GR/GRD:

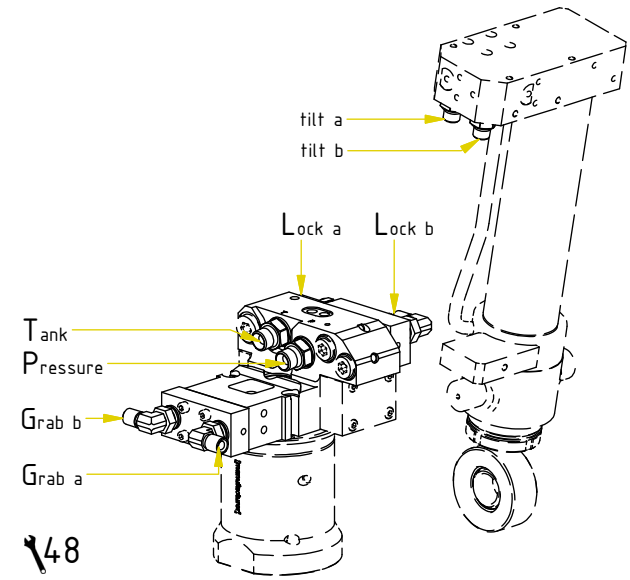


Hoses

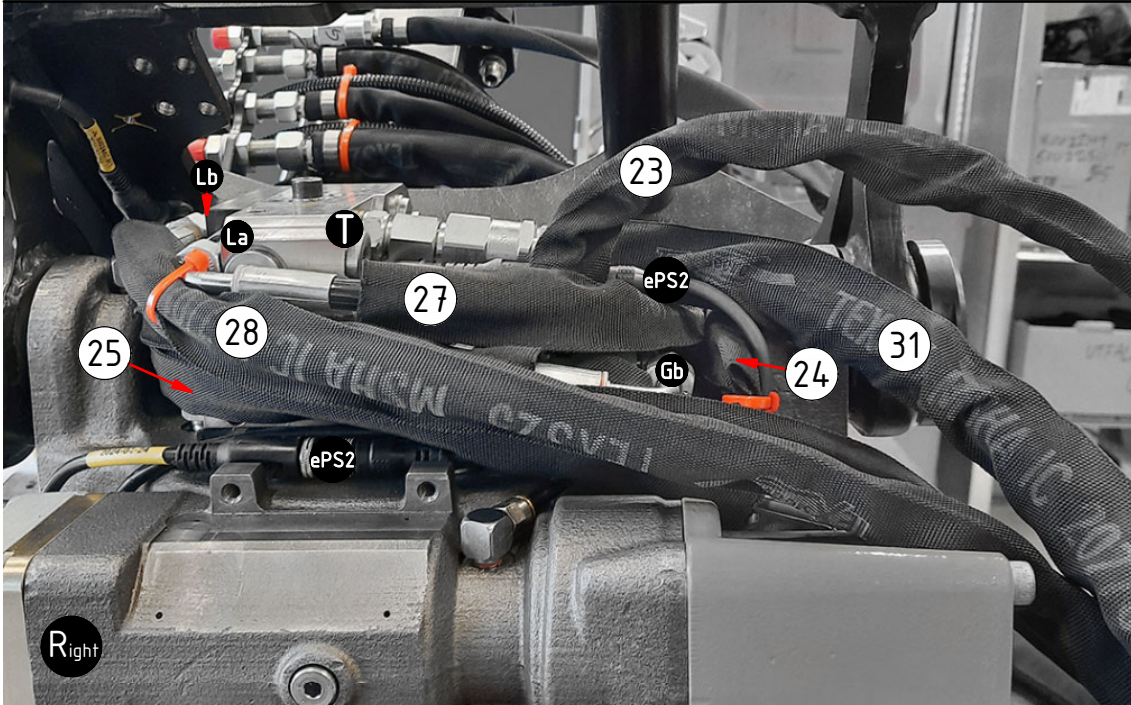


POS	DESCRIPTION	PART	QTY	COMMENTS
2	Washer GBR04 1/4	710702	5	
4	Adapter 138-04-29 (1/4")	710135	2	
5	Hose Feed tilt a	7002031	1	
6	Hose Feed tilt b	7002032	1	
7	Washer GBR06 3/8	710703	2	
8	Adapter 136-06-06 (3/8")	710106	2	
14	Adapter 401-04-04 90° (1/4")	710151	3	QTY: 1 without GR/GRD
15	Adapter 1260-04-04 (1/4")	710240	1	
23	Hose Rotation a (ss9)	7002025	1	Part of quick hitch assy.
24	Hose Rotation b (ss9)	7002026	1	Part of quick hitch assy.
25	Hose feed Grab a	7002029	1	
26	Hose feed Grab b	7002030	1	
27	Hose feed Lock a	7002027	1	
28	Hose feed Lock b	7002028	1	
29	Hose Feed P - QS40, UNI	7001991	1	
30	Hose Feed P - CW05	7002065	1	
31	Hose Feed T	7001992	1	
48	No Grab function if hitch is not equipped for GR/GRD			

POS in order of assembly



(FEED Rotation directly between motor & top part)



POS	DESCRIPTION	PART	QTY	COMMENTS
5	Hose Feed tilt a	7002031	1	
6	Hose Feed tilt b	7002032	1	
23	Hose Rotation a (ss9)	7002025	1	Part of quick hitch assy.
24	Hose Rotation b (ss9)	7002026	1	Part of quick hitch assy.
25	Hose feed Grab a	7002029	1	
26	Hose feed Grab b	7002030	1	
27	Hose feed Lock a	7002027	1	
28	Hose feed Lock b	7002028	1	
29	Hose Feed P - QS40, UNI	7001991	1	
30	Hose Feed P - CW05	7002065	1	
31	Hose Feed T	7001992	1	
39	Q-Safe connector			
40	Cable QS QLM ss9-2 M12	8002249	1	
48	No Grab function if hitch is not equipped for GR/GRD			
	● Use cable ties			

POS in order of assembly

