

COVERSHEET

Planned document changes:

Briefly:

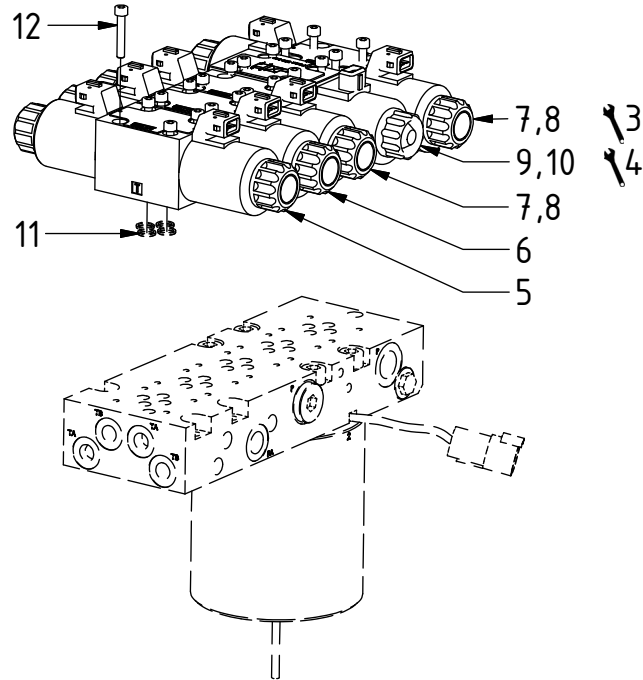
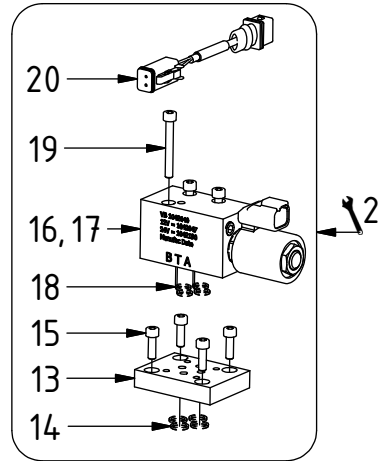
No planned changes.

Document changes:

Date:	Change:	Rev. after change:
2021-06-29	Cables for ePS updated. Spare parts page updated.	B
2020-08-21	EC226 ePS protection replaced. Valve functions added.	A
2018-05-07	New instruction.	-

Std Valves & cables - ss10 6-ch

EC10, EC15, EC20, EC219, EC226, EC30



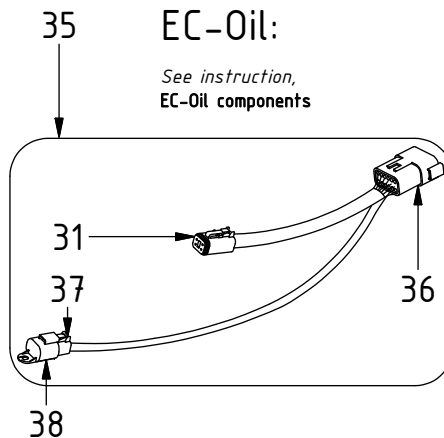
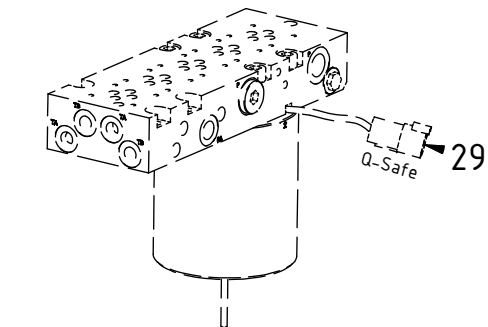
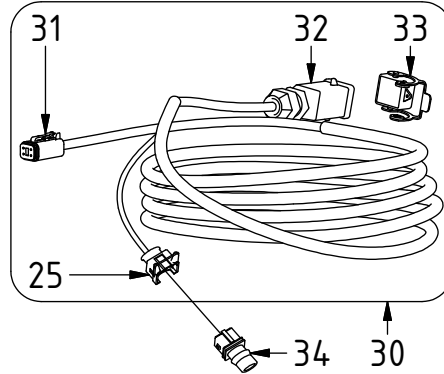
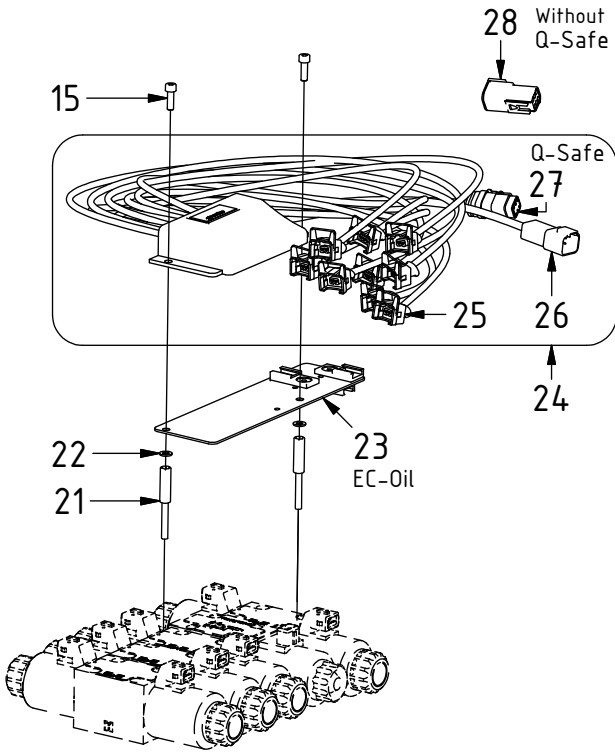
POS	DESCRIPTION	PART	QTY	COMMENTS
1	Std valves & cables is applied alongside control system assembly			See "Control system" (hoses) (EC10, 15, 20, 219, 226, 30) 6-ch
2	Applies to quick hitch QS, CW, ECPUP and control system SIQ			Replace POS.9/10
3	For option PROP on grab/extra			Replace POS.7-8 with POS.6
4	For option DC2SQ, XP			See p.14 for instruction
5	Directional valve prop 12V AMP open to tank	7000092	1	(POS.11 included)
6	Directional Valve Prop NG6 12V JT	730190	2	(POS.11 included)
7	Directional valve NG6 12V JT	730101	1	(POS.11 included)
8	Directional valve NG6 24V JT	730103	2	(POS.11 included)
9	Directional Valve Lock NG6 12V JT	730102	1	(POS.11 included)
10	Directional Valve Lock NG6 24V JT	730104	1	(POS.11 included)
11	O-ring 9,25x1,78 Green Viton	710901	20	QTY: 24 for XP
12	Screw MC6S 5x30	610403	20	
13	Adapter plate NG6-NG4	730158	1	(POS.14 included)
14	O-ring square 9,25x1,68		4	(included with adapter plate)
15	Screw MC6S 5x16	610401	8	
16	Directional Valve Lock NG4 12V DT	1042047	1	(POS.18 included)
17	Directional Valve Lock NG4 24V DT	1042190	1	(POS.18 included)
18	O-ring 7,65x1,78	710960	4	
19	Screw MC6S 5x40	610405	3	
20	Adapter cable DT-JT	1017478	1	

POS in order of assembly

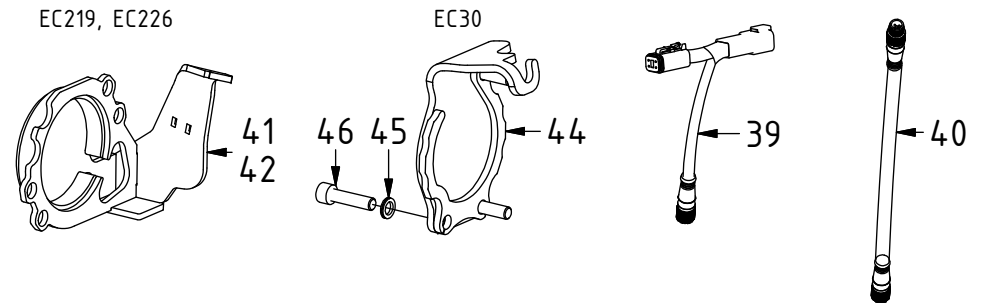
Std Valves & cables - ss10 6-ch

EC10, EC15, EC20, EC219, EC226, EC30

DC2



POS	DESCRIPTION	PART	QTY	COMMENTS
15	Screw MC6S 5x16	610401	8	
21	Valve spacer	1034402	2	Torque: 9,7mm. QTY: 4 for MACS
22	Flat washer M5	611003	5	
23	Connection plate ECO	1026556	1	
24	Tiltrotator module DC2 Q-Safe	842137	1	
25	Connector JT	810218	9	
26	Connector Deutsch DT04-4P	820108	1	
27	Connector Deutsch DTM06-6S	8000053	1	
28	Protection plug DTM04-6P	8000090	1	
29	Only for Q-Safe, connector			
30	Aggregate cable DC2 compl. QSC JT	8000175	1	
31	Connector Deutsch DT06-4S	820218	1	
32	Connector ILME 12P DC2 Complete	841192	1	
33	ILME cover 12P with jumper	810208	1	
34	Plug JT	1045154	1	
35	Adapter cable ECO w DC2 DTM	1048529	1	For EC-Oil. Replace POS.30
36	Connector Deutsch DTM04-12P	8000177	1	
37	Connector Deutsch DT06-2S	820219	1	
38	Deutsch dust protection	8000086	1	
39	Adapter cable DC2 ePS	8000783	1	Between POS.24 & 30 / 35 for ECO
40	Adapter cable ePS rotation sensor	8000784	1	
41	Protection ePS/MACS EC214-219	1033565	1	
42	Protection ePS EC226 V2	1055677	1	
44	Protection ePS/MACS EC30	1029734	1	
45	Washer NL10	611041	3	
46	Screw MC6S 10x40	610453	3	



Std Valves & cables - ss10 6-ch

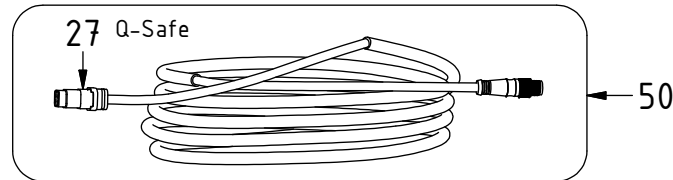
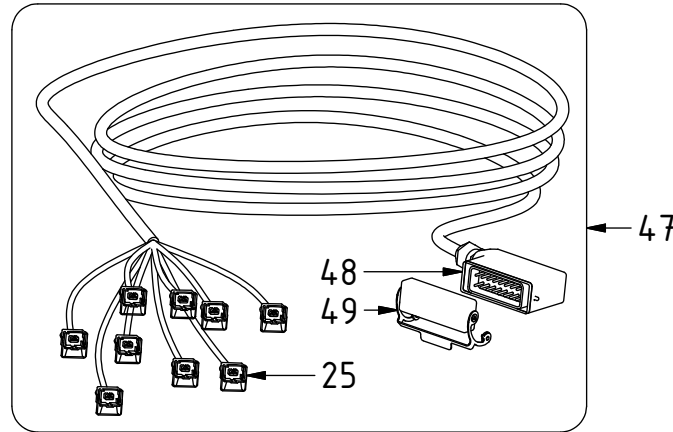
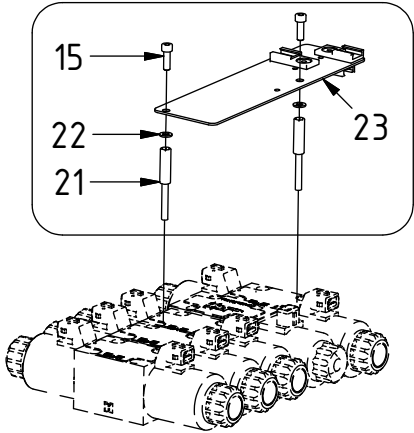
POS in order of assembly

ss10 (SVAB)

EC10, EC15, EC20, EC219, EC226, EC30

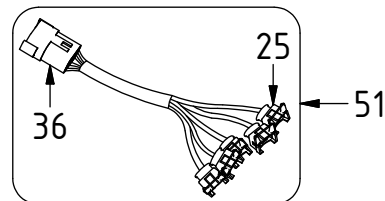
POS	DESCRIPTION	PART	QTY	COMMENTS
15	Screw MC6S 5x16	610401	8	
21	Valve spacer	1034402	2	Torque: 9,7mm. QTY: 4 for MACS
22	Flat washer M5	611003	5	
23	Connection plate ECO	1026556	1	
25	Connector JT	810218	9	
27	Connector Deutsch DTM06-6S	8000053	1	
29	Only for Q-Safe, connector			
36	Connector Deutsch DTM04-12P	8000177	1	
40	Adapter cable ePS rotation sensor	8000784	1	
41	Protection ePS/MACS EC214-219	1033565	1	
42	Protection ePS EC226 V2	1055677	1	
44	Protection ePS/MACS EC30	1029734	1	
45	Washer NL10	611041	3	
46	Screw MC6S 10x40	610453	3	
47	Aggregate cable ss10SVAB Compl.	1015196	1	
48	Connector ILME male 16P	810203	1	
49	ILME cover 16P with jumper	810235	1	
50	Cable QS QLM tiltrof. ss10SVAB	842148	1	For Q-Safe
51	Adapter cable ECO ss10	1029599	2	For EC-Oil. Replace POS.47, 50
52	Ag.cable SVAB ePS w. 120 ohm ter.	8000824	1	
53	Ad.cable ePS ECOW SVAB 120 ohm	8000825	1	For EC-Oil ePS. Replace POS.52
54	Connector Deutsch DTM04-6P	8000054	1	

EC-Oil:

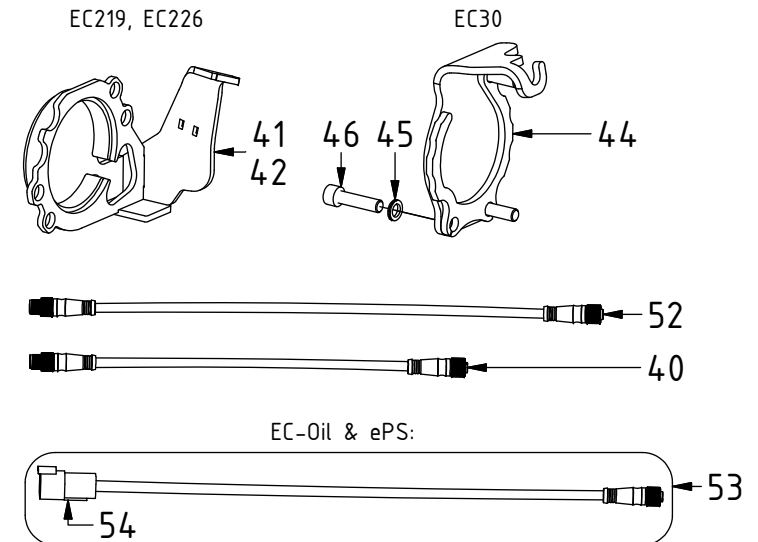


EC-Oil:

See instruction, EC-Oil components



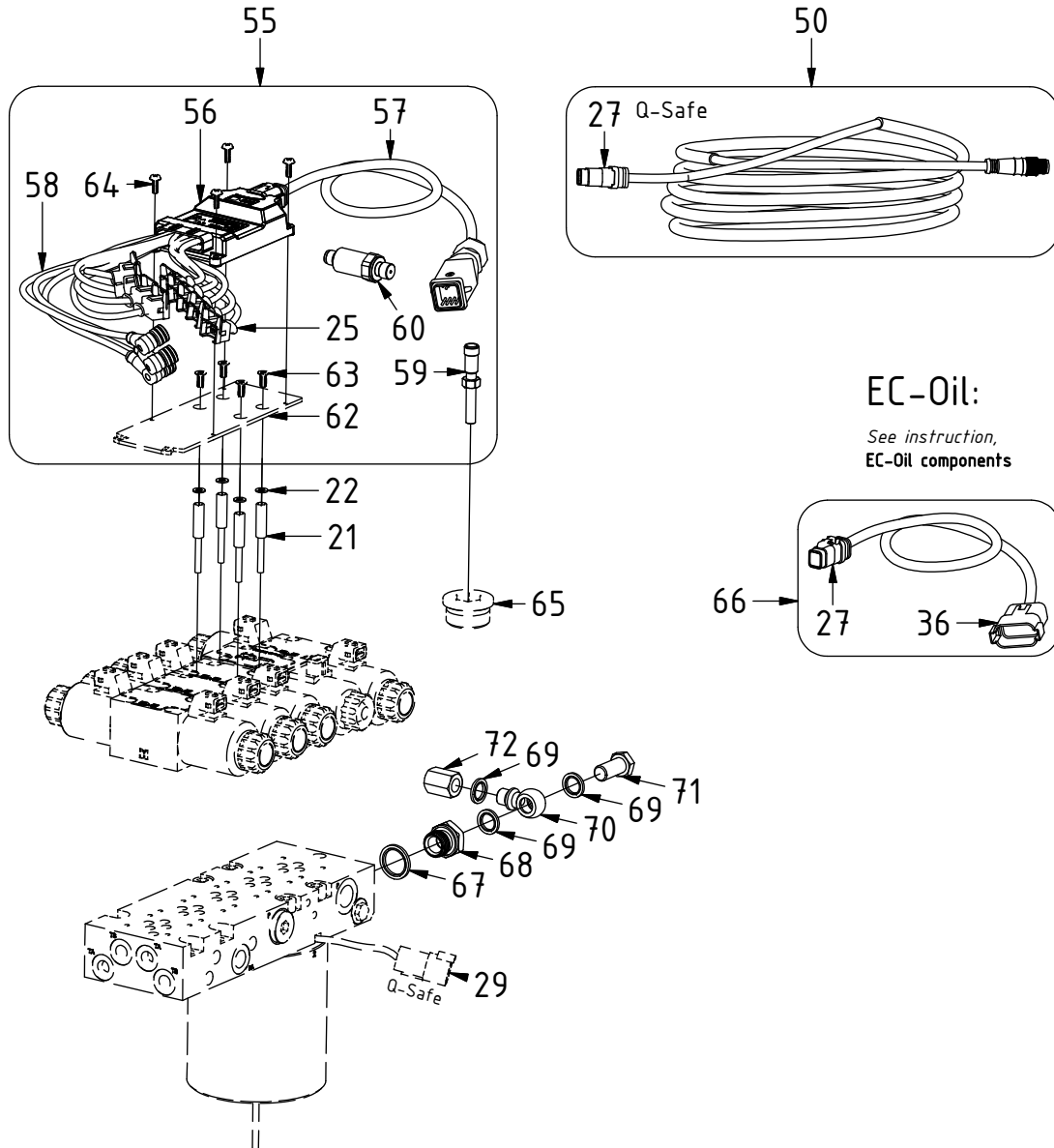
ePS:



Std Valves & cables - ss10 6-ch

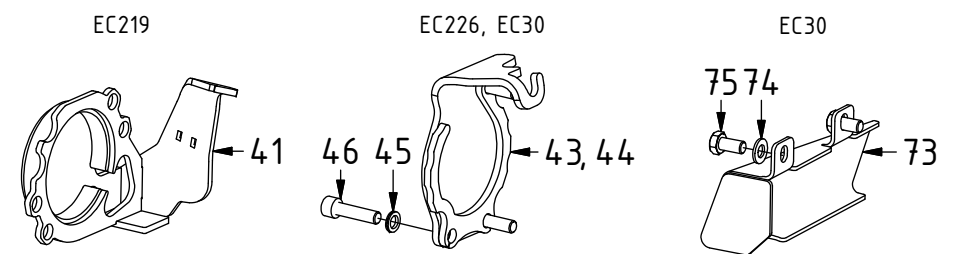
EC10, EC15, EC20, EC219, EC226, EC30

MACS



POS	DESCRIPTION	PART	QTY	COMMENTS
21	Valve spacer	1034402	2	Torque: 9,7mm. QTY: 4 for MACS
22	Flat washer M5	611003	5	
25	Connector JT	810218	9	
27	Connector Deutsch DTM06-6S	8000053	1	
29	Only for Q-Safe, connector			
36	Connector Deutsch DTM04-12P	8000177	1	
41	Protection ePS/MACS EC214-219	1033565	1	
43	Protection MACS EC226	1016554	1	(Previously also for ePS)
44	Protection ePS/MACS EC30	1029734	1	
45	Washer NL10	611041	3	
46	Screw MC6S 10x40	610453	3	
50	Cable QS QLM tiltrot. ss10SVAB	842148	1	For Q-Safe
55	Tiltrotator kit MACS	1028038	1	
56	Tilt rotator module MACS	811203	1	
57	Aggregate cable MACS	1028041	1	
58	Valve cables MACS	1029471	1	
59	Inductive sensor M8 PNP MACS	1043698	1	
60	Pressure transmitter MACS	7000016	1	Mount to POS.72
61	Mounting kit NG6 MACS	1028474	1	(POS.62-64 included)
62	Mounting plate MACS		1	(included in mounting kit)
63	Screw MFT 5x12 TX		4	(included in mounting kit)
64	Screw MRTF 4x12 TX		4	(included in mounting kit)
65	Pipe plug M36/M8 MACS	650411	1	Part of rotator frame assembly
66	Adapter cable ECO MACS	1037919	1	For EC-Oil. Replace POS.50, 57
67	Sealing washer 1/2"	710704	1	
68	Adapter 234-08-04	710232	1	
69	Washer GBR04 1/4	710702	3	
70	Banjoadapter 04	710149	1	
71	Banjobolt 1/4"	710271	1	
72	Adapter 6889-04-04	712228	1	
73	Protection sensor MACS EC30	1033690	1	
74	Flat Washer	611006	2	
75	Screw M6S 10x20	610141	2	

POS in order of assembly



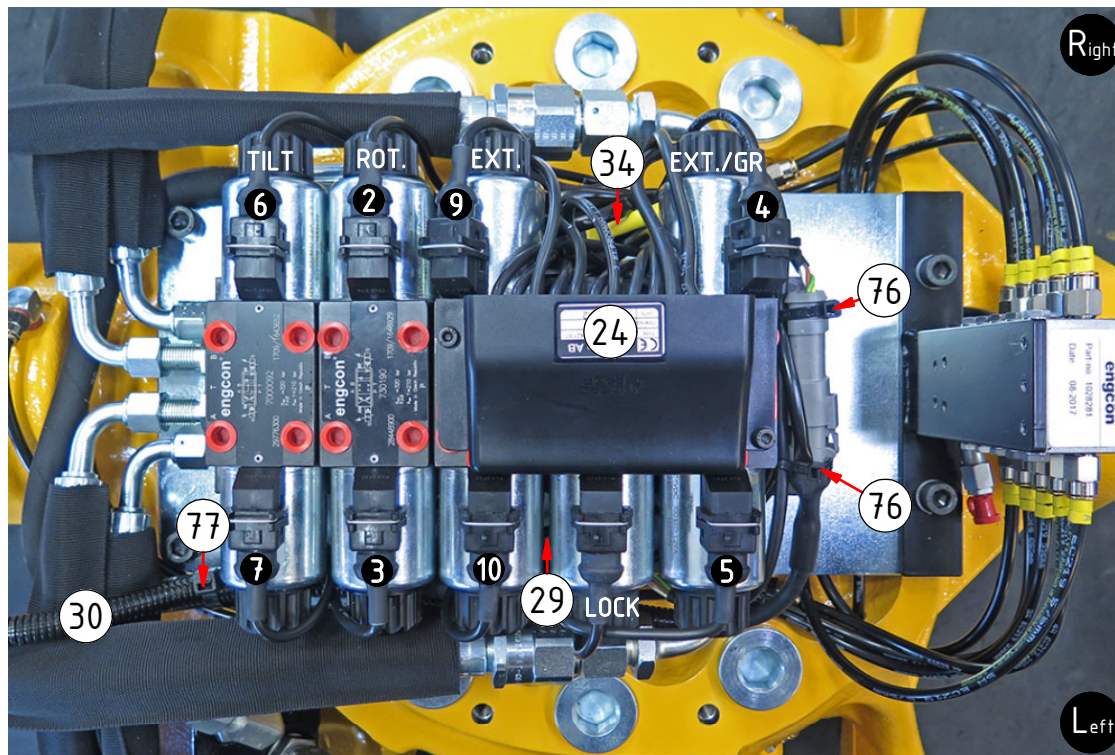
Std Valves & cables - ss10 6-ch

DC2
Std

EC10, EC15, EC20, EC219, EC226, EC30

POS	DESCRIPTION	PART	QTY	COMMENTS
24	Tiltrotator module DC2 Q-Safe	842137	1	
29	Only for Q-Safe, connector			
30	Aggregate cable DC2 compl. QSC JT	8000175	1	
34	Plug JT	1045154	1	
76	Cable tie 4,8x360	1021586	1	
77	Cable tie 7,8x360	1021587	1	

POS in order of assembly



Std Valves & cables - ss10 6-ch

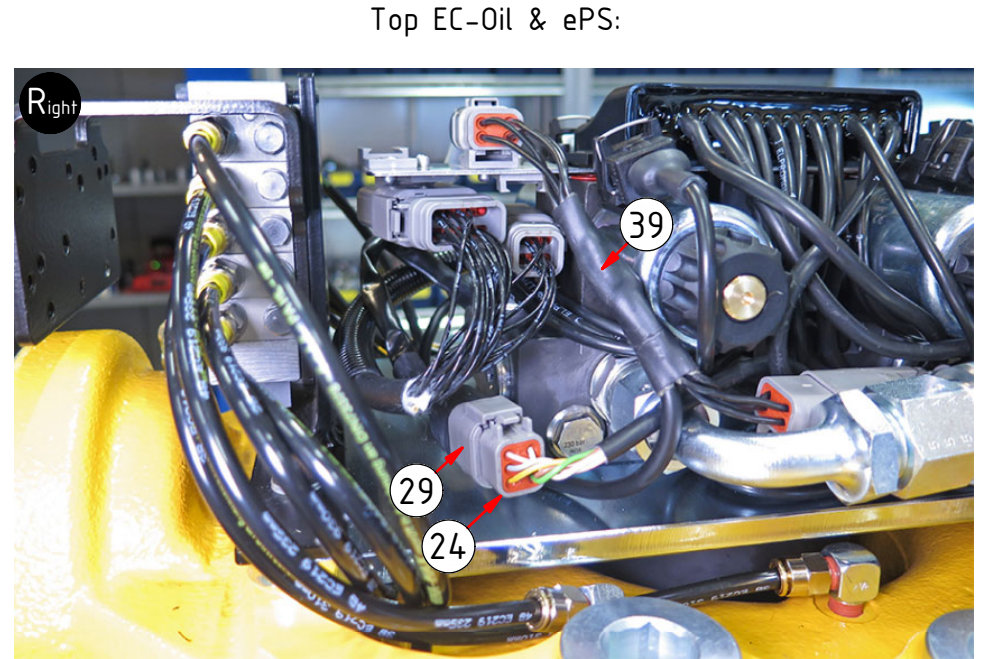
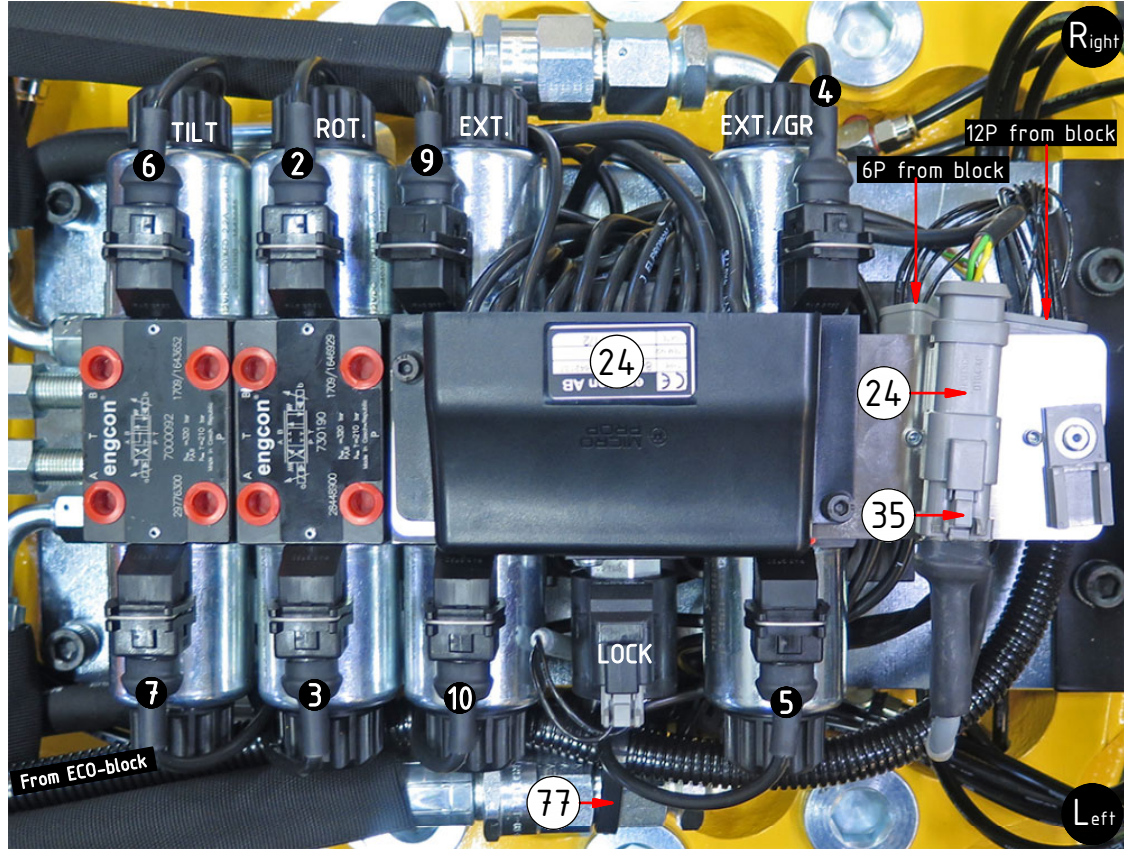
See instruction,
EC-Oil components

DC2
Top EC-Oil

EC10, EC15, EC20, EC219, EC226, EC30

POS	DESCRIPTION	PART	QTY	COMMENTS
24	Tiltrotator module DC2 Q-Safe	842137	1	
29	Only for Q-Safe, connector			
35	Adapter cable ECO W DC2 DTM	1048529	1	For EC-Oil. Replace POS.30
39	Adapter cable DC2 ePS	8000783	1	Between POS.24 & 35
40	Adapter cable ePS rotation sensor	8000784	1	
77	Cable tie 7,8x360	1021587	1	

POS in order of assembly

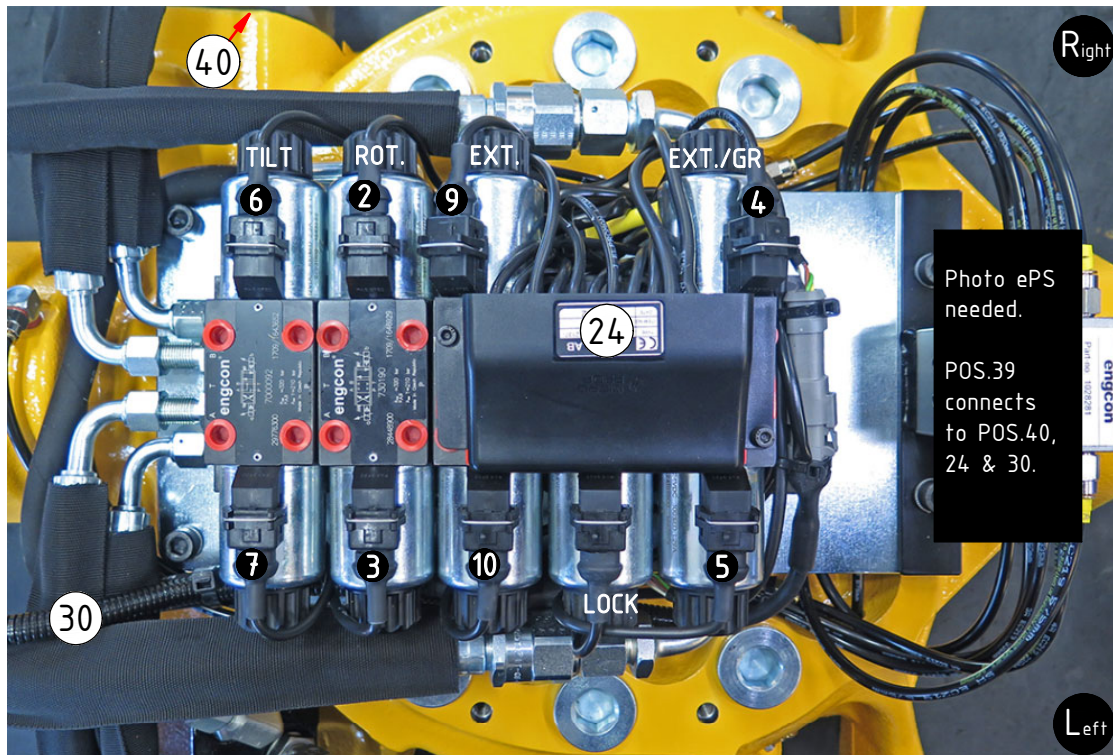


Std Valves & cables - ss10 6-ch

DC2
ePS

POS	DESCRIPTION	PART	QTY	COMMENTS
24	Tiltrotator module DC2 Q-Safe	842137	1	
29	Only for Q-Safe, connector			
30	Aggregate cable DC2 compl. QSC JT	8000175	1	
34	Plug JT	1045154	1	
39	Adapter cable DC2 ePS	8000783	1	Between POS.24 & 30
40	Adapter cable ePS rotation sensor	8000784	1	

POS in order of assembly



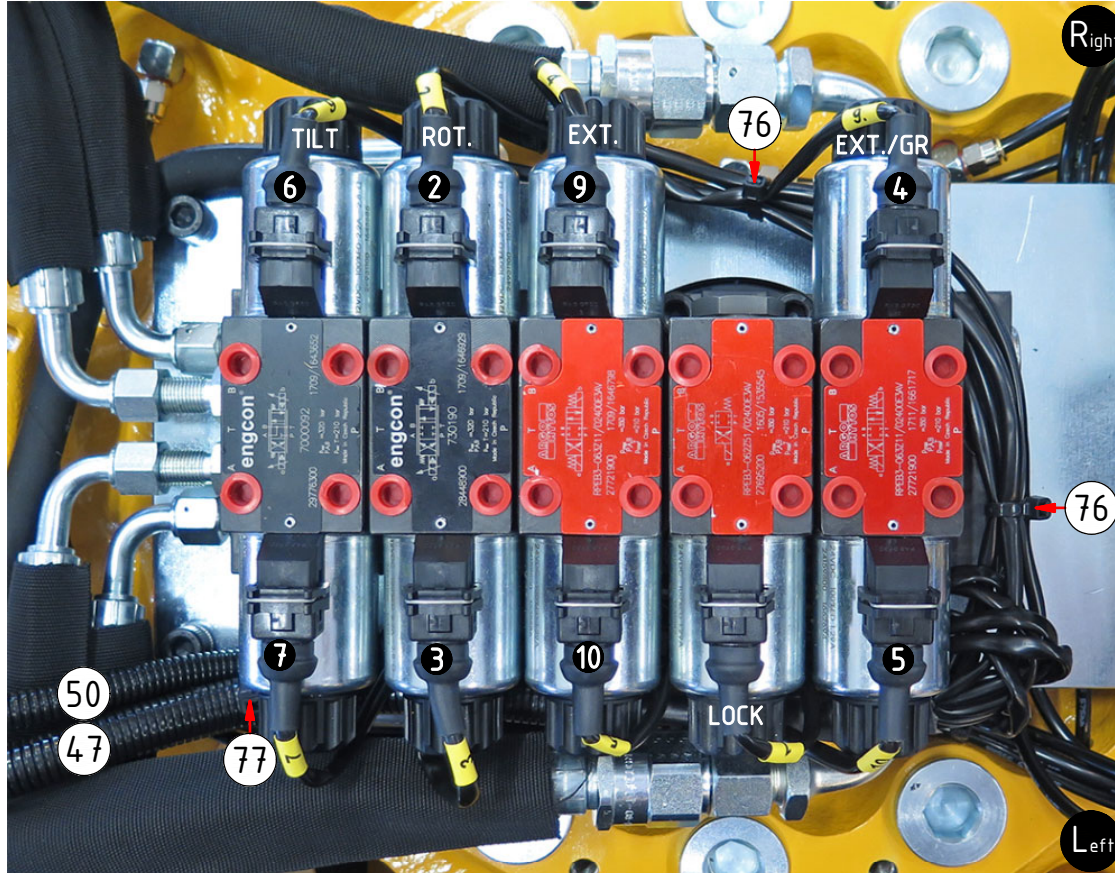
Std Valves & cables - ss10 6-ch

ss10 (SVAB)
Std

EC10, EC15, EC20, EC219, EC226, EC30

POS	DESCRIPTION	PART	QTY	COMMENTS
47	Aggregate cable ss10SVAB Compl.	1015196	1	
50	Cable QS QLM tiltrot. ss10SVAB	842148	1	For Q-Safe
76	Cable tie 4,8x360	1021586	1	
77	Cable tie 7,8x360	1021587	1	

POS in order of assembly



Std Valves & cables - ss10 6-ch

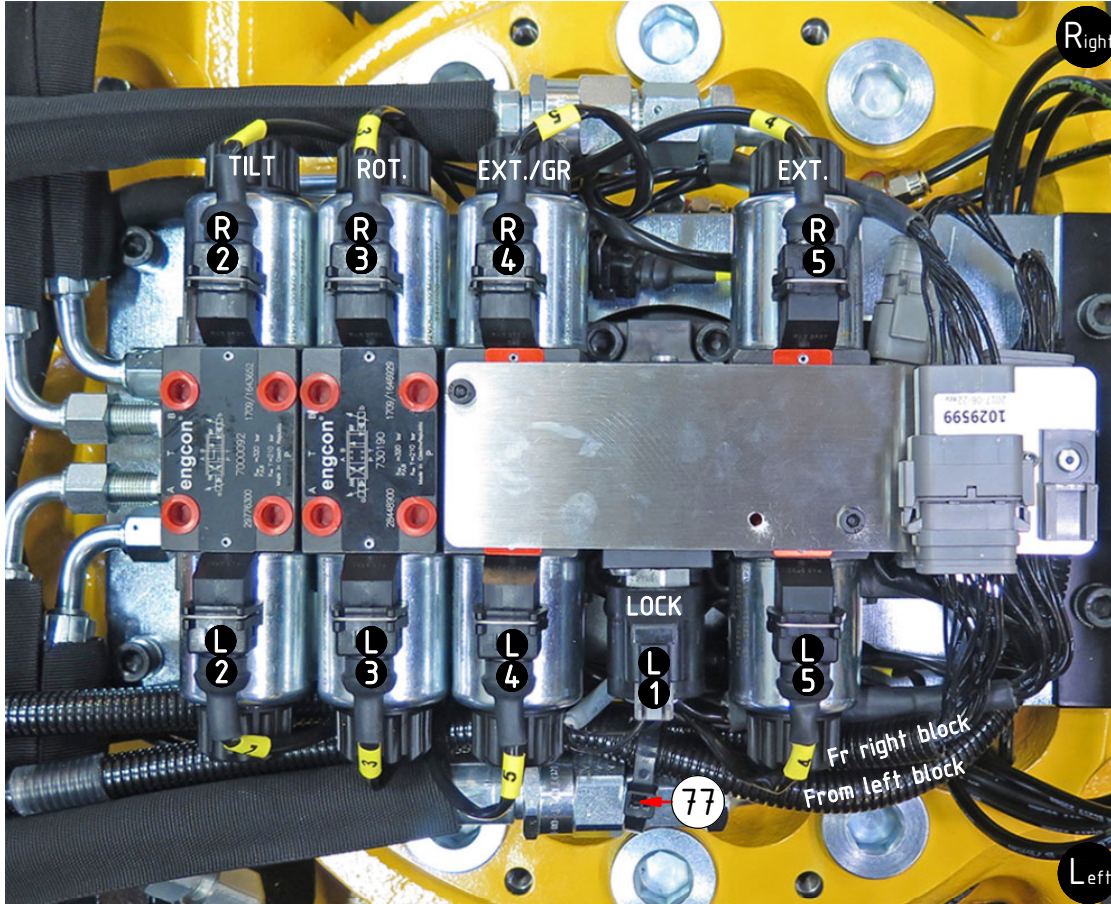
See instruction,
EC-Oil components

ss10 (SVAB)
Top EC-Oil

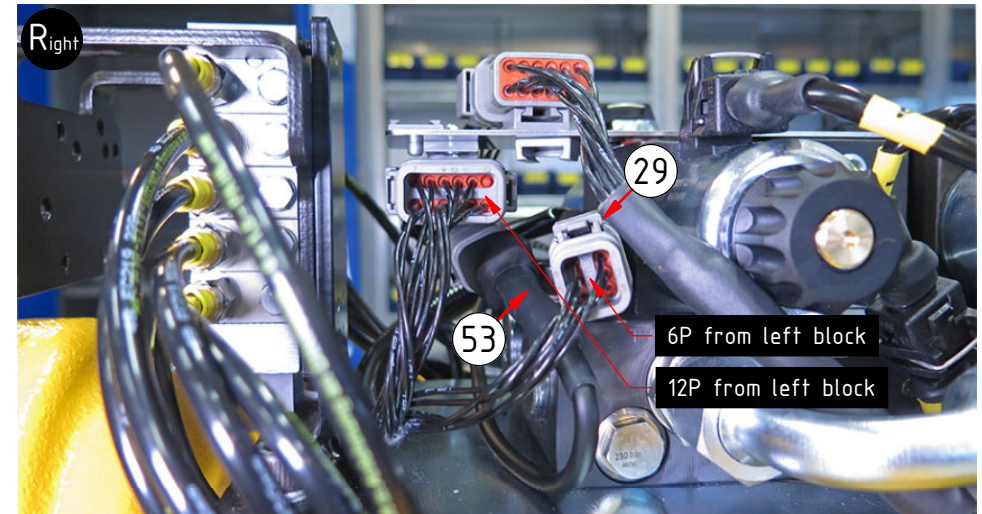
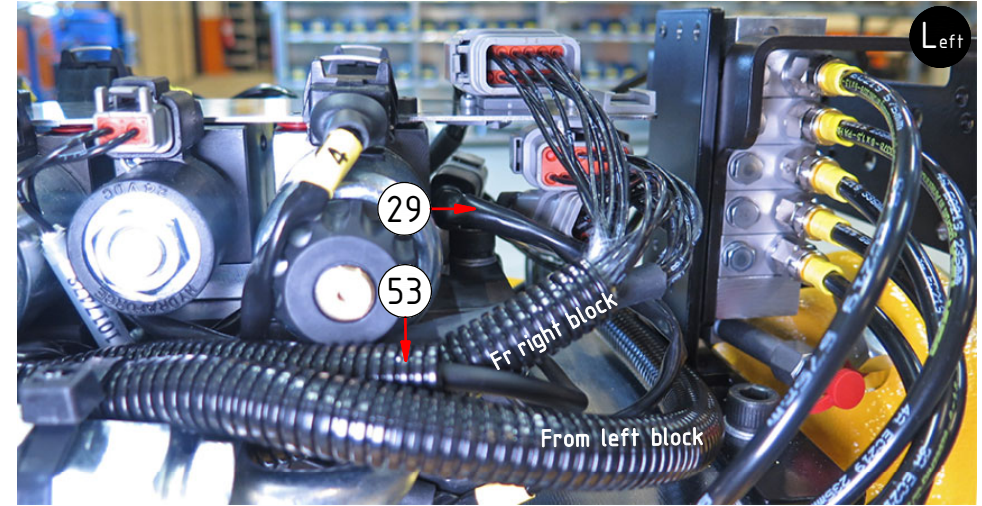
EC10, EC15, EC20, EC219, EC226, EC30

POS	DESCRIPTION	PART	QTY	COMMENTS
29	Only for Q-Safe, connector			
40	Adapter cable ePS rotation sensor	8000784	1	
51	Adapter cable ECO ss10	1029599	2	For EC-Oil. Replace POS.47, 50
53	Ad.cable ePS ECOW SVAB 120 ohm	8000825	1	For EC-Oil ePS. Replace POS.52
77	Cable tie 7,8x360	1021587	1	

Top EC-Oil & ePS:



("1" from R is not connected)



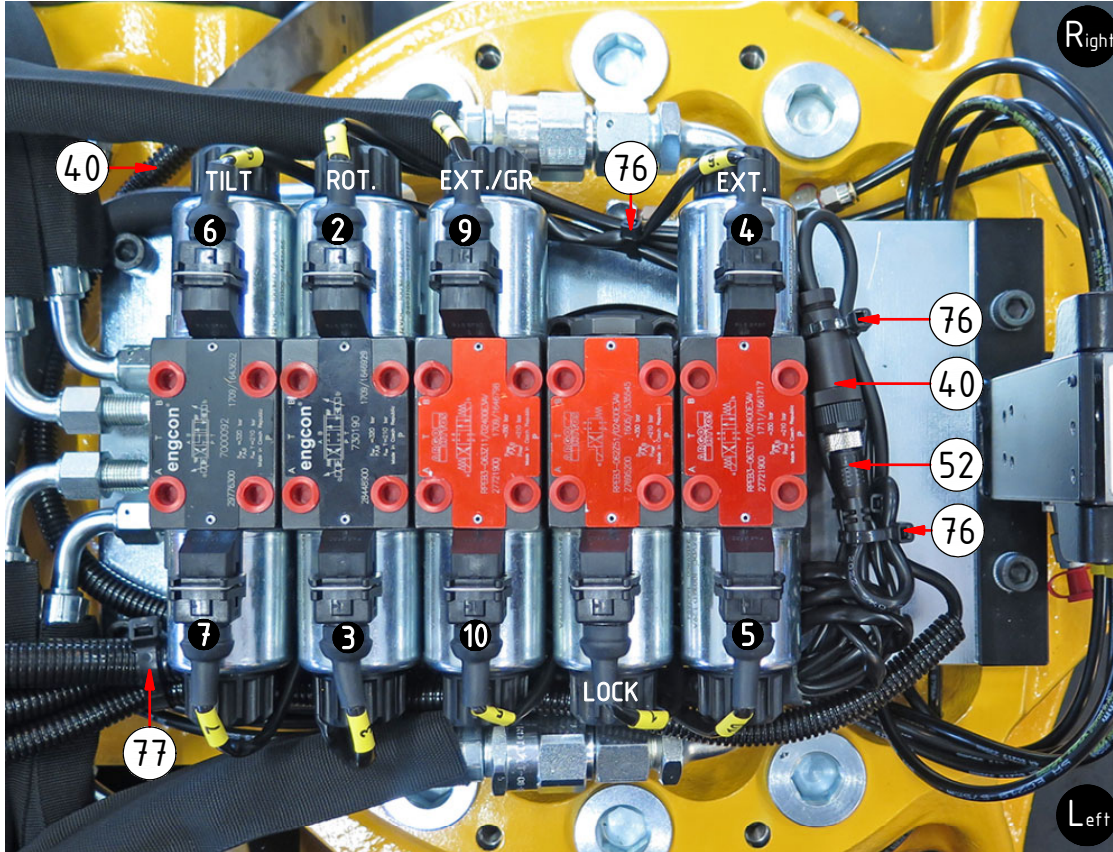
Std Valves & cables - ss10 6-ch

ss10 (SVAB)
ePS

EC10, EC15, EC20, EC219, EC226, EC30

POS	DESCRIPTION	PART	QTY	COMMENTS
40	Adapter cable ePS rotation sensor	8000784	1	
47	Aggregate cable ss10SVAB Compl.	1015196	1	
50	Cable QS QLM tiltrot. ss10SVAB	842148	1	For Q-Safe
52	Ag.cable SVAB ePS w. 120 ohm ter.	8000824	1	
76	Cable tie 4,8x360	1021586	1	
77	Cable tie 7,8x360	1021587	1	

POS in order of assembly



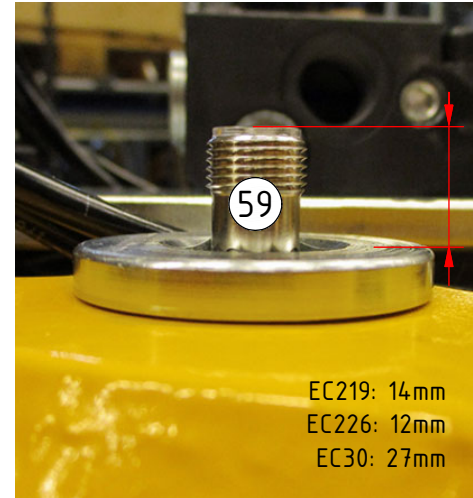
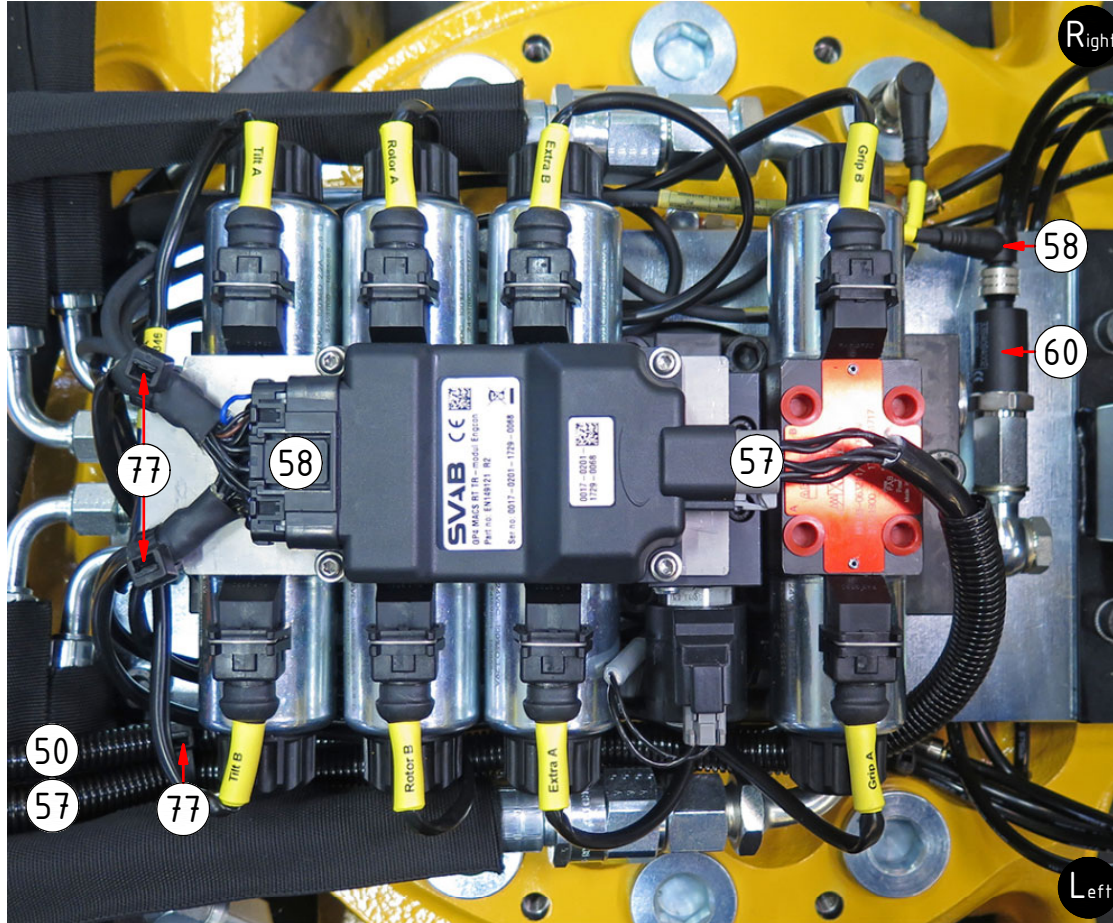
Std Valves & cables - ss10 6-ch

MACS
Std

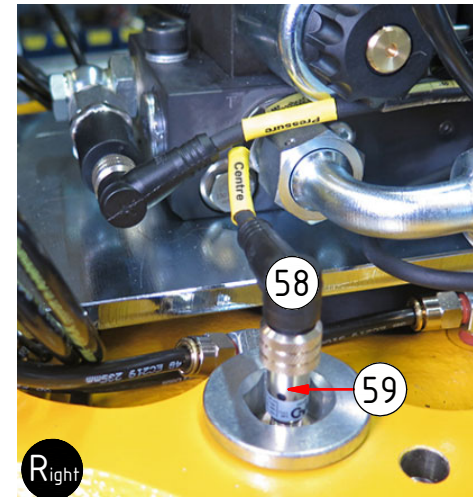
EC10, EC15, EC20, EC219, EC226, EC30

POS	DESCRIPTION	PART	QTY	COMMENTS
50	Cable QS QLM tiltrot. ss10SVAB	842148	1	For Q-Safe
57	Aggregate cable MACS	1028041	1	
58	Valve cables MACS	1029471	1	
59	Inductive sensor M8 PNP MACS	1043698	1	
60	Pressure transmitter MACS	7000016	1	Mount to POS.72
77	Cable tie 7,8x360	1021587	1	

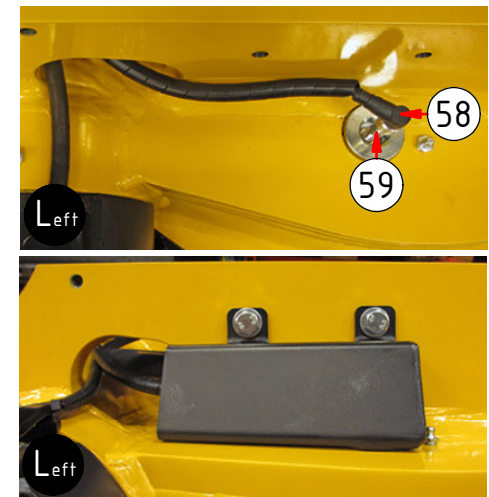
POS in order of assembly



EC219, EC226:



EC30:



Std Valves & cables - ss10 6-ch

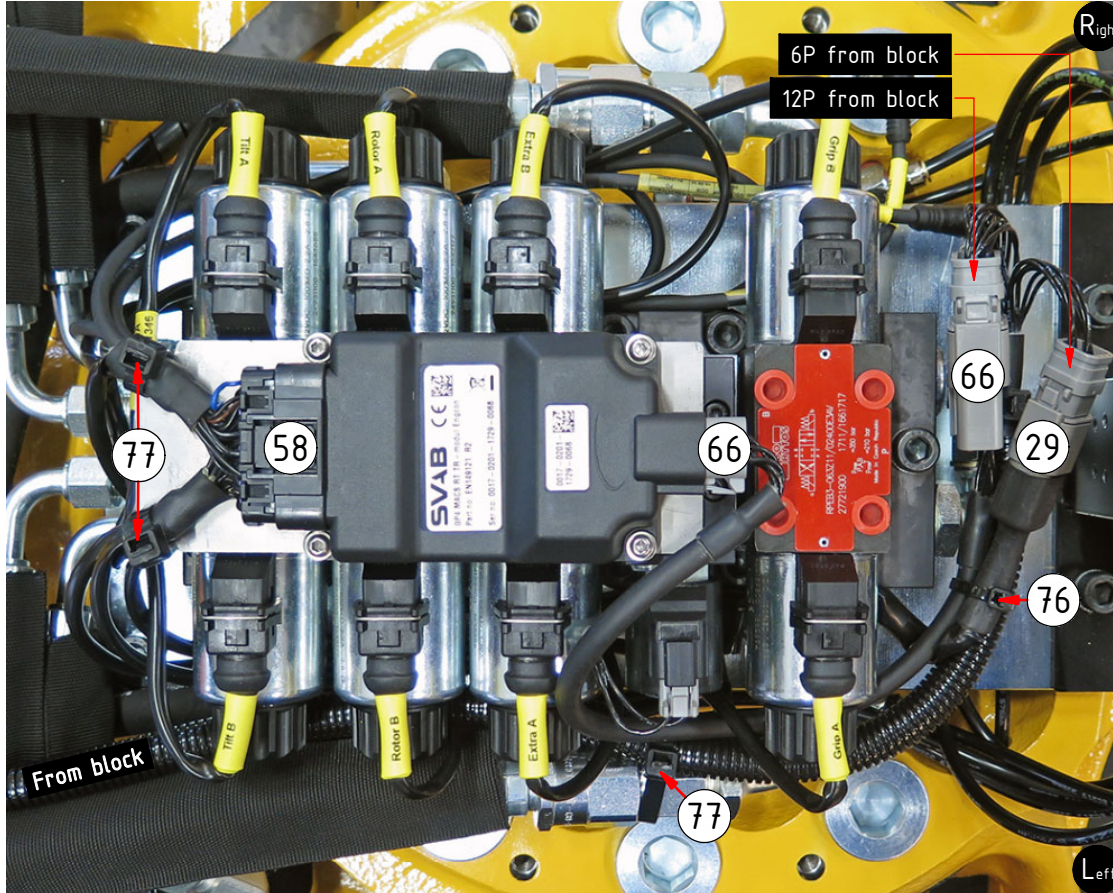
See instruction,
EC-Oil components

MACS
Top EC-Oil

EC10, EC15, EC20, EC219, EC226, EC30

POS	DESCRIPTION	PART	QTY	COMMENTS
29	Only for Q-Safe, connector			
58	Valve cables MACS	10294.71	1	
66	Adapter cable ECO MACS	1037919	1	For EC-Oil. Replace POS.50, 57
76	Cable tie 4,8x360	1021586	1	
77	Cable tie 7,8x360	1021587	1	

POS in order of assembly

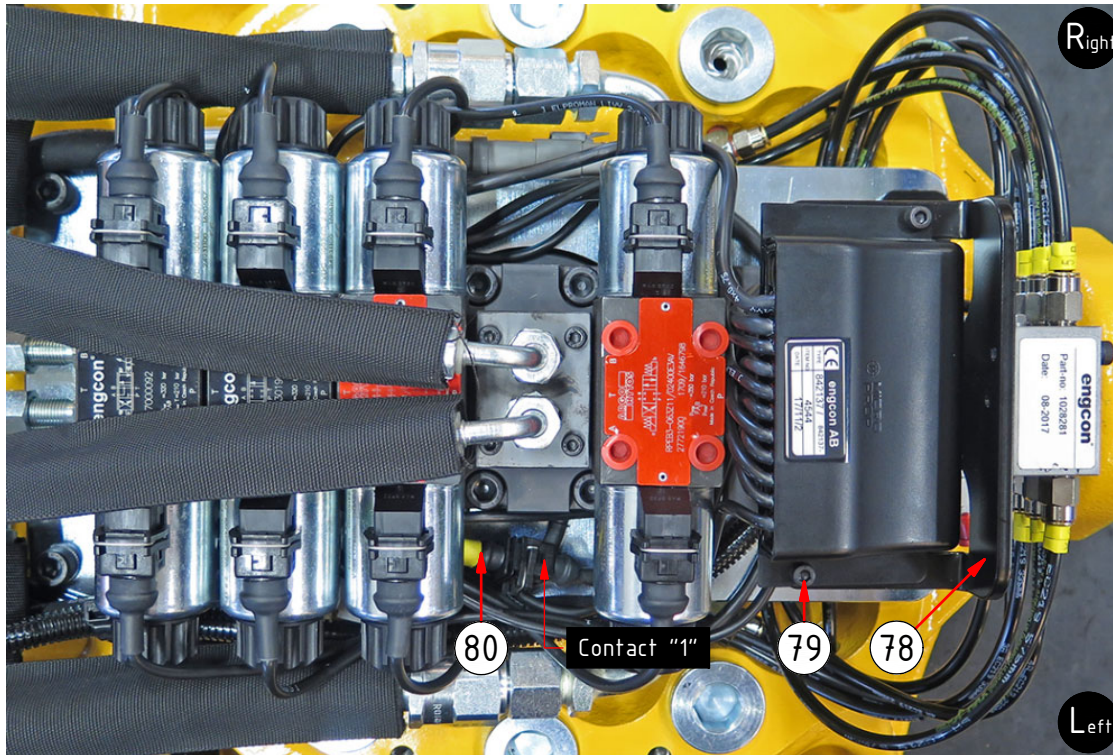


special / options

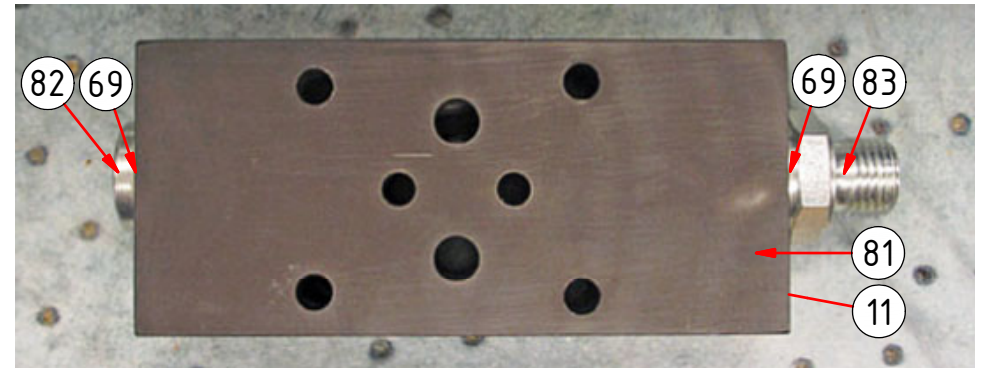
POS	DESCRIPTION	PART	QTY	COMMENTS
11	O-ring 9,25x1,78 Green Viton	710901	20	QTY: 24 for XP
69	Washer GBR04 1/4	710702	3	
78	Mounting plate Central lubrication ECHF	1031517	1	
79	Screw MC6S 5x12	6000077	2	
80	Jumper JT Lock valve	1018662	1	Plug contact "1" (Lock valve)
81	Plate NG6	1003841	1	
82	Plug 1/4"	711505	1	
83	Adapter 136-04-04	710135	1	

POS in order of assembly

DC2SQ:

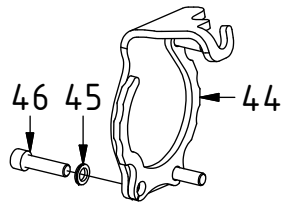


XP crossparallel:

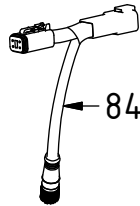


Related spare parts

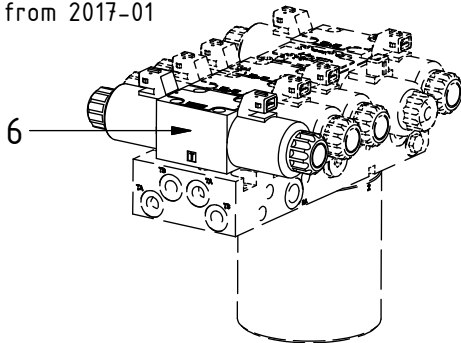
Replaced by POS.42
for ePS from 2020-07



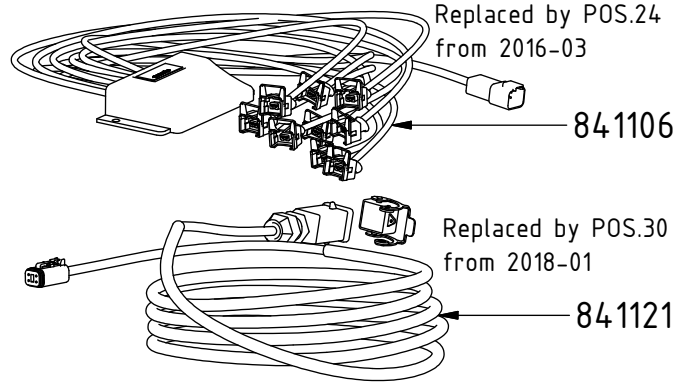
DC2 ePS:



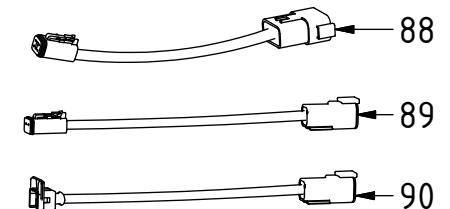
Replaced by POS.5
from 2017-01



DC2:



DC2 EC-Oil QSC:

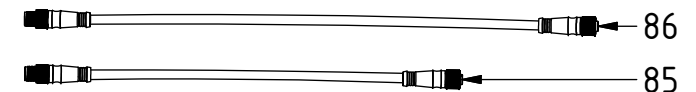


810227

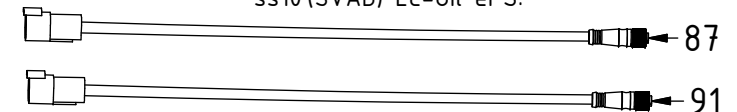


Used until 2015
(aggregate cables)

ss10 (SVAB) ePS:



ss10 (SVAB) EC-Oil ePS:



POS	DESCRIPTION	PART	QTY	COMMENTS
5	Directional valve prop 12V AMP open to tank	7000092	1	(POS.11 included)
6	Directional valve Prop NG6 12V JT	730190	2	(POS.11 included)
24	Tiltrotator module DC2 Q-Safe	842137	1	
30	Aggregate cable DC2 compl. QSC JT	8000175	1	
35	Adapter cable ECO W DC2 DTM	1048529	1	For EC-Oil. Replace POS.30
39	Adapter cable DC2 ePS	8000783	1	
40	Adapter cable ePS rotation sensor	8000784	1	
42	Protection ePS EC226 V2	1055677	1	
43	Protection MACS EC226	1016554	1	(Previously also for ePS)
45	Washer NL10	611041	3	
46	Screw MC6S 10x40	610453	3	
52	Agg.cable SVAB ePS w. 120 ohm ter.	8000824	1	
53	Ad.cable ePS ECOW SVAB 120 ohm	8000825	1	For EC-Oil ePS. Replace POS.52
84	Adapter cable DC2 ePS DT DT M12	842173	1	Replaced by POS.39 from 2019-10
85	Adap. cable SVAB ePS rot. sensor	842188	1	Replaced by POS.40 from 2019-10
86	Agg. cable SVAB ePS rot. sensor	842187	1	Replaced by POS.52 from 2019-10
87	Adapter cable ePS ECO W SVAB	1042245	1	Replaced by POS.53 from 2019-10
88	Adapter cable ECO DC2 QSC	1029593	1	Replaced by POS.35 from 2018-08
89	Adapter cable ECO W DC2 DTM QSC	1044790	1	Replaced by POS.35 from 2018-08
90	Adapter cable Lock ECO DC2 QSC	1042250	1	Replaced by POS.89 from 2017-10
91	Aggregate cable ePS ECO SVAB	1033021	1	Replaced by POS.87 from 2017-10

POS in order of assembly