

COVERSHEET

Planned document changes:

Briefly:

2026-04-13. Correct part no for POS.1: 1073042.

Document changes:

Date:	Change:	Rev. after change:
2025-09-15	Photos added. Included spare parts added.	D
2023-12-14	Open/Close for Grab corrected.	C
2023-12-11	Screw lengths corrected.	B
2023-11-28	Valve block screws must be tightened in cross pattern.	A
2023-08-31	New document.	-

Readers note:



Indicates instruction.

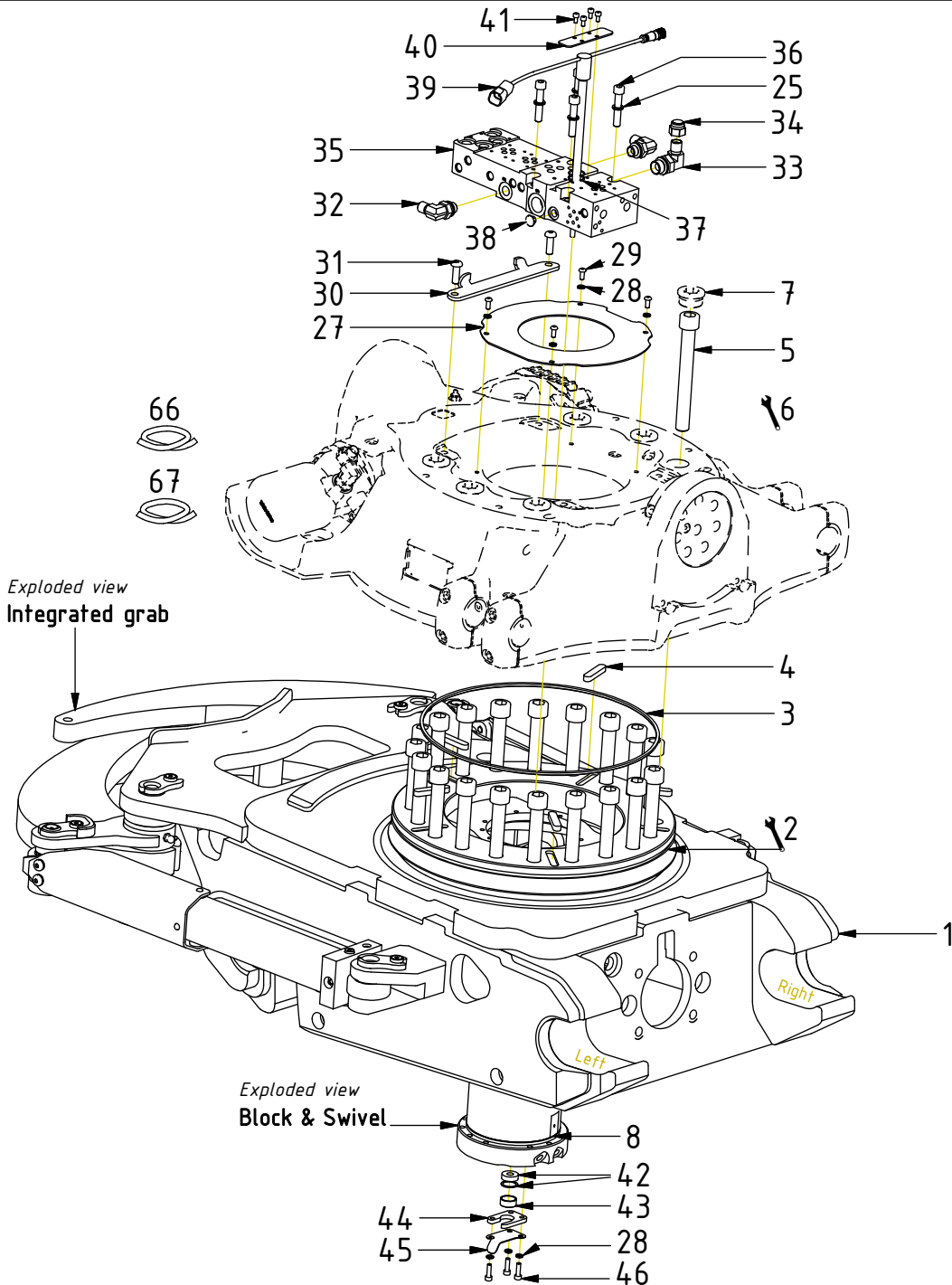


Represents Hose.

Dashed lines for overview, mounts
on other pages/assemblies.

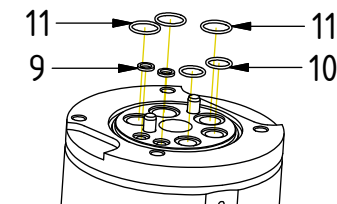
EC233 QSM - Hitch QS80 GR30

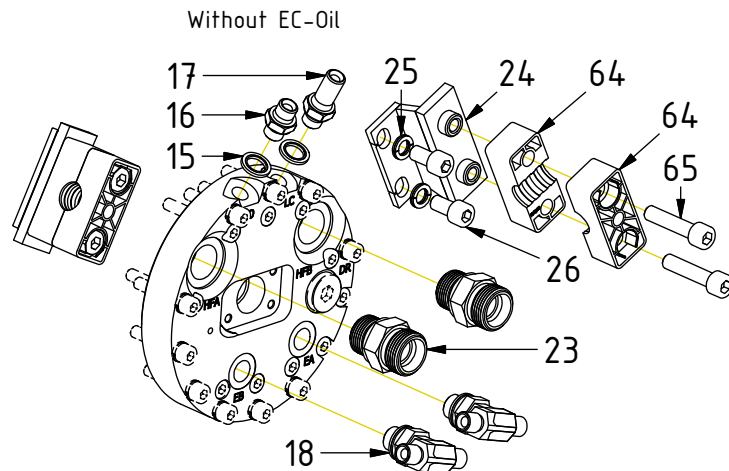
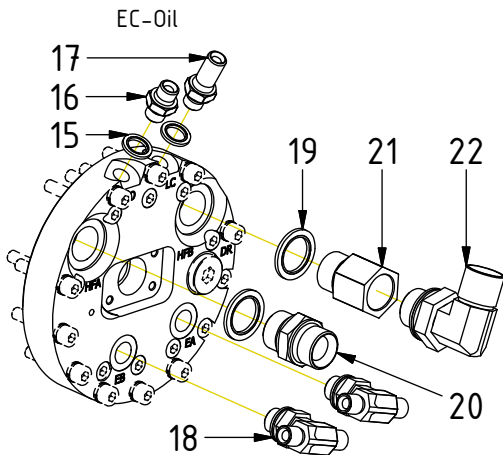
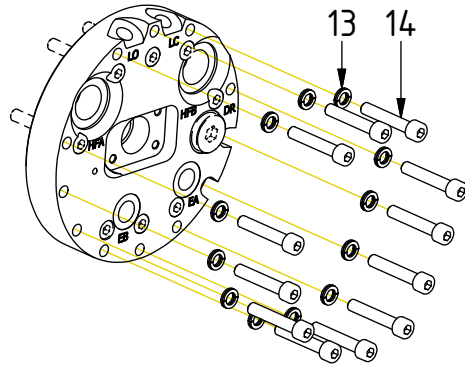
POS in order of assembly



POS	DESCRIPTION	PART	QTY	COMMENTS
1	Quick hitch QS80 GR30 EC233 QSM	1069961	1	
2	Grease the ring			
3	O-ring 359,3x5,7	710924	1	
4	Feather Key	650103	5	
5	Screw MC6S M20x170 12.9	6000101	20	Torque: 649Nm
6	Torque tighten rotator frame to hitch. Rotate to access all holes			
7	Pipe plug M36x2	650408	6	Part of rotator frame
8	Connect. block & swivel QSM Compl.	1072872	1	
9	O-ring 7,66x1,68	7000579	2	
10	O-ring 14x1,78	710975	2	
11	O-ring 17,17x1,78	710977	3	
25	Washer NL 10mm	611041	8	
27	Plate swivel EC233 QSM	1052691	1	
28	Washer NL 6mm	611039	7	
29	Screw K6S M6x14 10.9 FZB	6000242	4	
30	Swivel stop EC233	1048076	1	
31	Screw K6S M10x30 10.9 FZB	6000193	2	Loxeal 83-52
32	Adapter 401-06-06 90° (3/8")	710152	2	Assemble before valve block
33	Adapter 401-06-08 90° (3/8"-1/2")	710157	1	Assemble before valve block
34	Protective cap 155-06 (3/8")	711626	1	
35	Valve Block QSM	1049297	1	
36	Screw MC6S M10x55 12.9 Geomet	612022	4	Torque: 79Nm Tighten in cross pattern
37	O-ring 21,95x1,78	710983	2	(Incl. with valve block)
38	Plastic plug KS 15 G 1/4"	7001983	1	(Incl. with valve block)
39	Slip ring QSM M12	1046763	1	Mount with marine silicone
40	Cover plate slip ring	1050384	1	
41	Screw MC6S M5x10 12.9	610594	4	
42	Rubber bushing with washer	1046691	1	Use the outer ring. Washer down
43	Ring slip ring QSM	1046692	1	
44	Plate slip ring QSM	1046689	1	
45	Plate cable steering QSM	1046694	1	
46	Screw MC6S M6x20 8,8 FZB	610310	3	
66	Hose hydraulic motor Long	7000451	1	
67	Hose hydraulic motor Short	7000903	1	

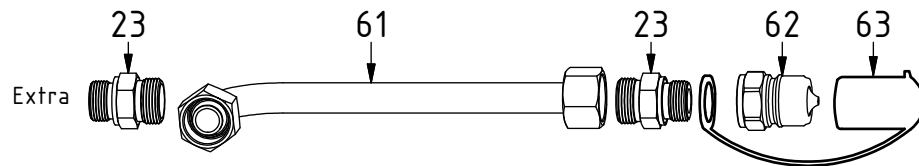
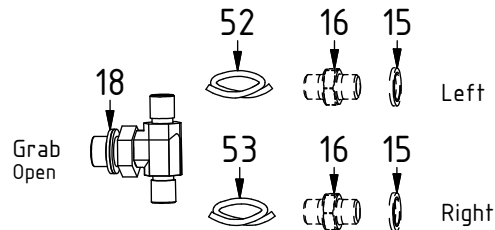
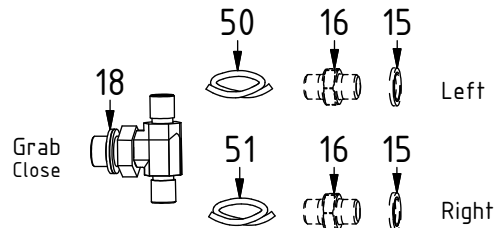
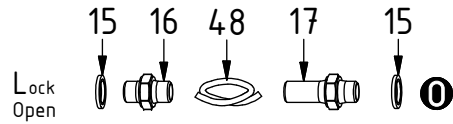
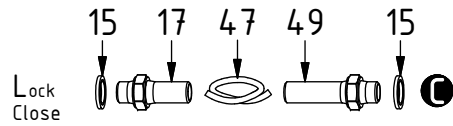
Between swivel & valve block:



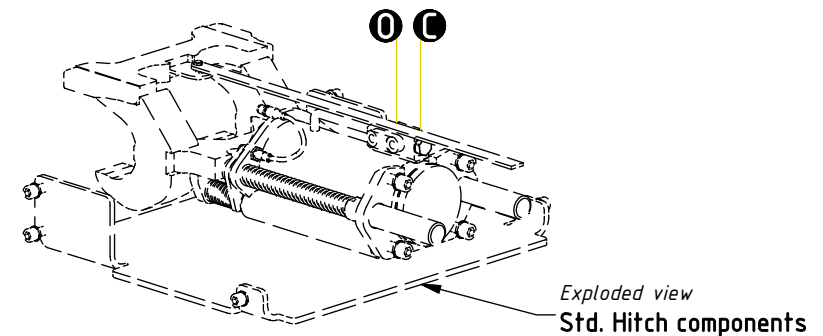
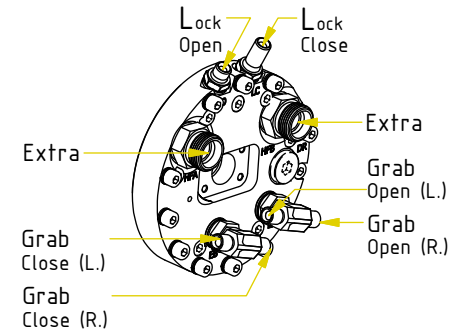


POS	DESCRIPTION	PART	QTY	COMMENTS
12	For option Drain			See p.6 for instruction
13	Washer NL 8mm	611040	12	
14	Screw MC6S M8x45 12.9 ZFSHL	6000399	12	
15	Washer GBR04 1/4	710702	8	QTY: 4 part of Integrated grab
16	Adapter 138-04-29 (1/4")	710135	5	QTY: 4 part of Integrated grab
17	Adapter 1260-04-04 (1/4")	710240	2	
18	Adapter 403-04-06 (1/4"-3/8")	712224	2	
19	Washer GBR12 3/4	710706	3	
20	Adapter 136-12-12 (3/4")	710126	1	
21	Adapter 236-12-12	712226	2	
22	Adapter 401-12-12 90° (3/4")	712201	1	
23	Adapter M30x2 // G3/4	7001855	4	
24	Holder pipe clamp QSM	1072385	2	
25	Washer NL 10mm	611041	8	
26	Screw MC6S M10x20 12.9	610451	4	
64	Pipe clamp Extra	7001889	4	
65	Screw MC6S M10x45 12.9 ZFSHL	612021	4	

Without EC-Oil

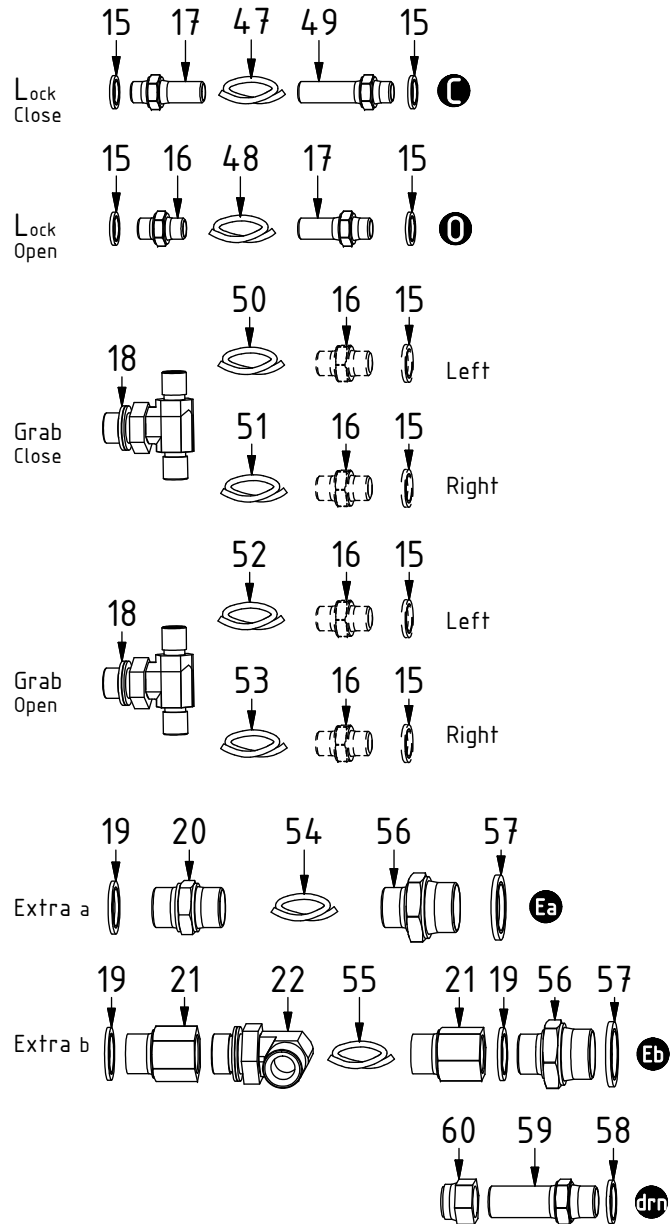


POS	DESCRIPTION	PART	QTY	COMMENTS
12	For option Drain			See p.6 for instruction
15	Washer GBR04 1/4	710702	8	QTY: 4 part of Integrated grab
16	Adapter 138-04-29 (1/4")	710135	5	QTY: 4 part of Integrated grab
17	Adapter 1260-04-04 (1/4")	710240	2	
18	Adapter 403-04-06 (1/4"-3/8")	712224	2	
23	Adapter M30x2 // G3/4	7001855	4	
47	Hose Lock C	7001876	1	
48	Hose Lock O	7001893	1	
49	Adapter 1260-04-40 (1/4")	710261	1	
50	Hose Grab Left b	7001891	1	
51	Hose Grab Right b	7001892	1	
52	Hose Grab Left a	7001877	1	
53	Hose Grab Right a	7001878	1	
61	Pipe Extra QS80 QSM	1072343	2	
62	Quick coupling 3/4"	790193	2	
63	Dust protection 3/4"	790195	2	

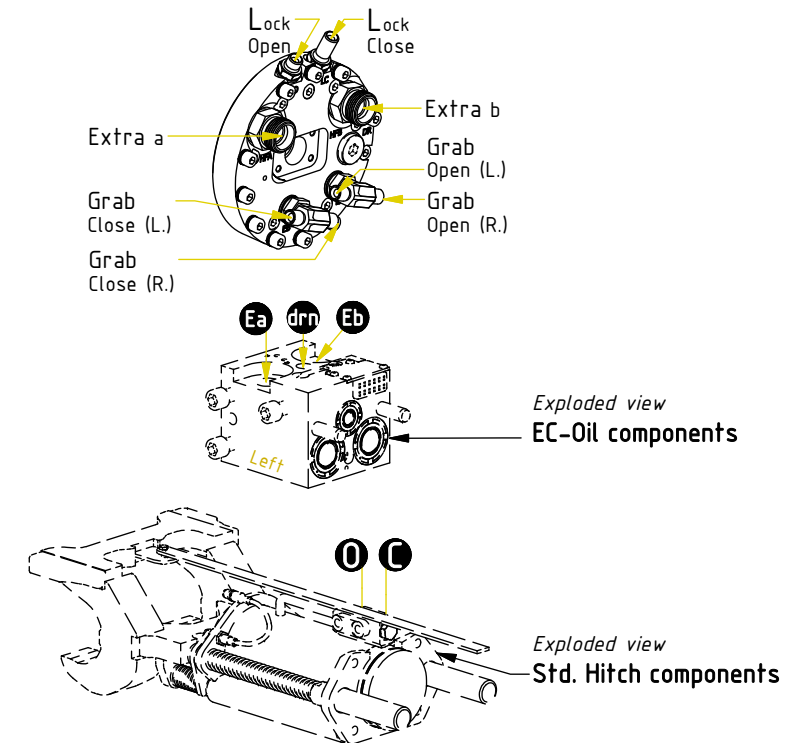


POS in order of assembly

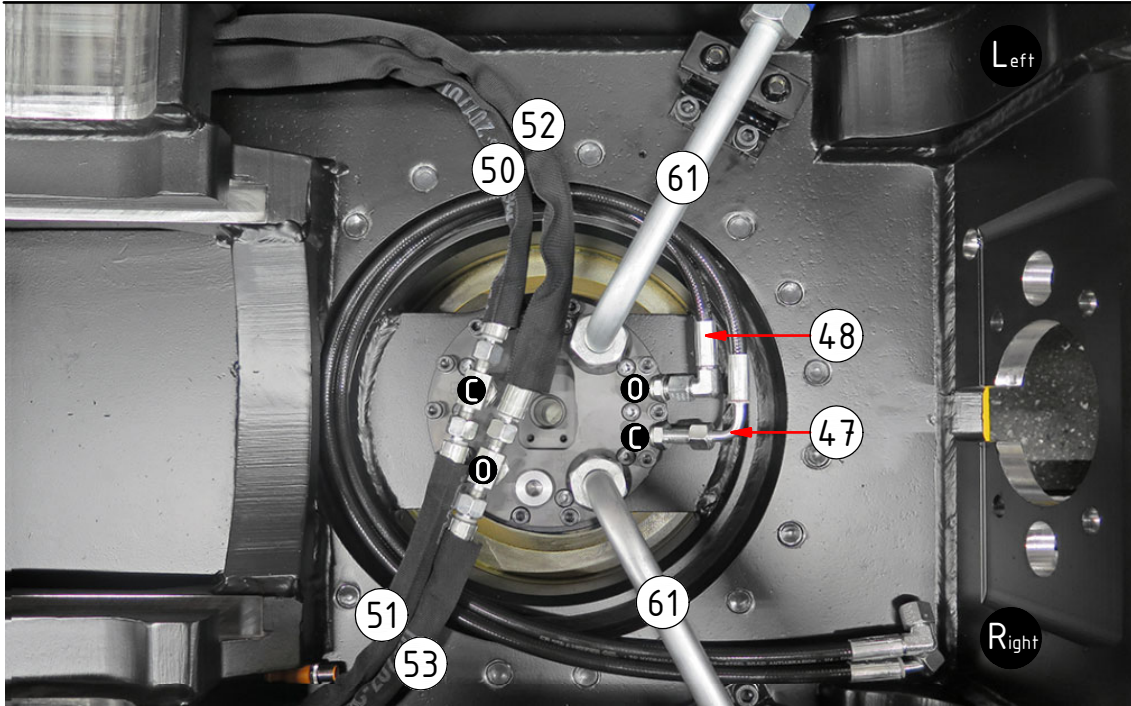
EC-Oil



POS	DESCRIPTION	PART	QTY	COMMENTS
15	Washer GBR04 1/4	710702	8	QTY: 4 part of Integrated grab
16	Adapter 138-04-29 (1/4")	710135	5	QTY: 4 part of Integrated grab
17	Adapter 1260-04-04 (1/4")	710240	2	
18	Adapter 403-04-06 (1/4"-3/8")	712224	2	
19	Washer GBR12 3/4	710706	3	
20	Adapter 136-12-12 (3/4")	710126	1	
21	Adapter 236-12-12	712226	2	
22	Adapter 401-12-12 90° (3/4")	712201	1	
47	Hose Lock C	7001876	1	
48	Hose Lock O	7001893	1	
49	Adapter 1260-04-40 (1/4")	710261	1	
50	Hose Grab Left b	7001891	1	
51	Hose Grab Right b	7001892	1	
52	Hose Grab Left a	7001877	1	
53	Hose Grab Right a	7001878	1	
54	Hose Extra a EC-Oil	7000681	1	
55	Hose Extra b EC-Oil	7001874	1	
56	Adapter 135-12-16 - (3/4"-1")	7000723	2	
57	Washer GBR16 1	710707	2	
58	Washer GBR08 1/2	710704	1	QTY: 2 w/o EC-Oil
59	Adapter 1260-08-45 (1/2")	710263	1	
60	Protective cap 155-08 (1/2")	711627	1	

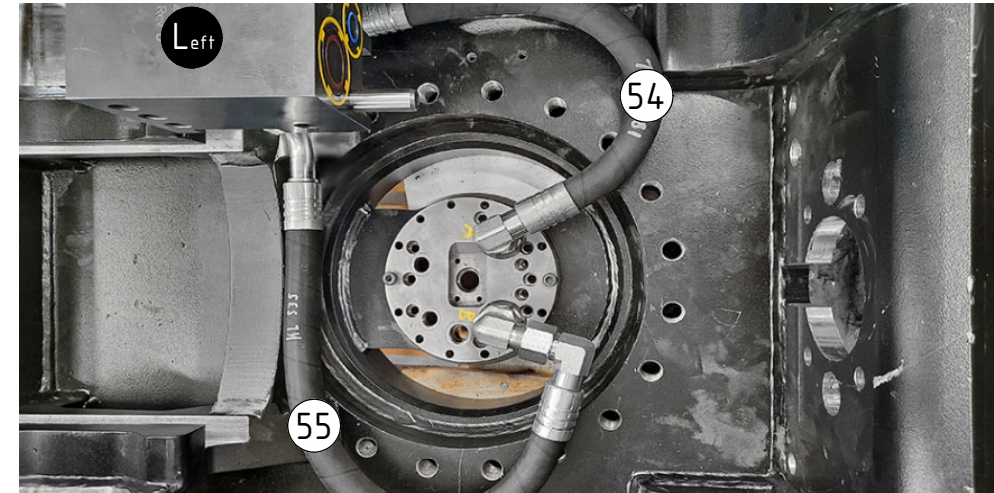


POS in order of assembly

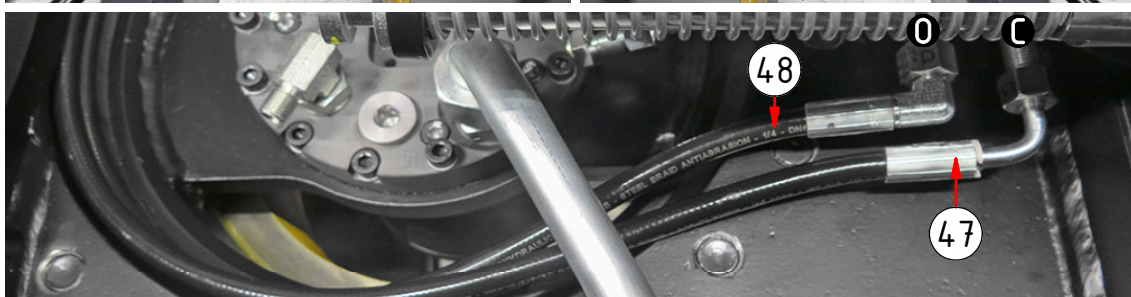
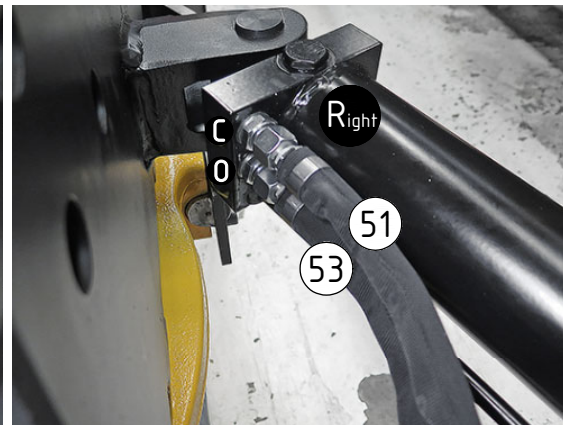
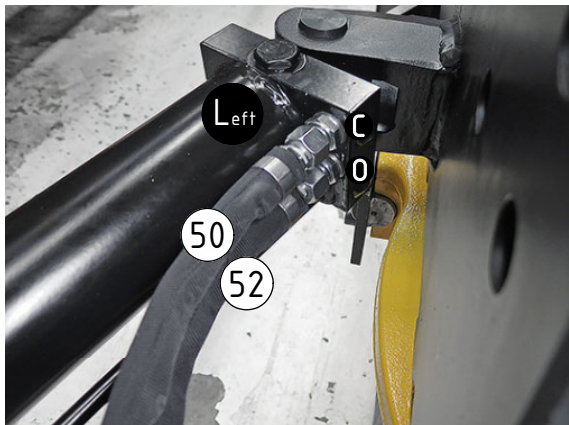
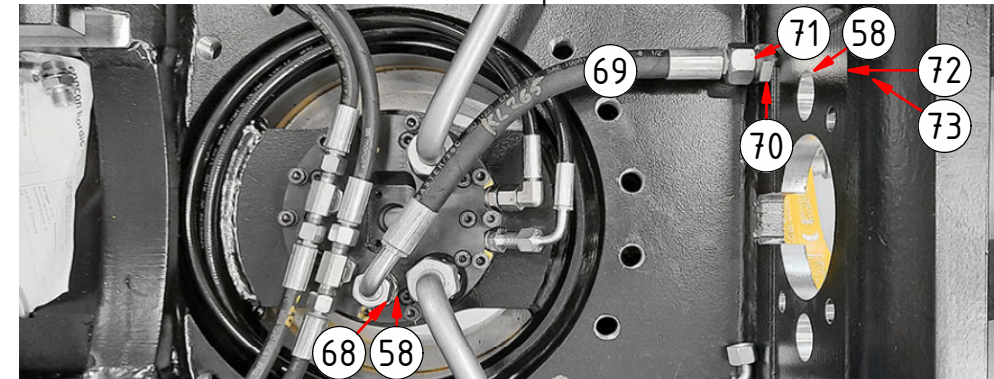


POS	DESCRIPTION	PART	QTY	COMMENTS
47	Hose Lock C	7001876	1	
48	Hose Lock O	7001893	1	
50	Hose Grab Left b	7001891	1	
51	Hose Grab Right b	7001892	1	
52	Hose Grab Left a	7001877	1	
53	Hose Grab Right a	7001878	1	
54	Hose Extra a EC-Oil	7000681	1	
55	Hose Extra b EC-Oil	7001874	1	
58	Washer GBR08 1/2	710704	1	QTY: 2 w/o EC-Oil
61	Pipe Extra QS80 QSM	1072343	2	
68	Adapter 136-08-08 (1/2")	710108	1	Drain. Remove plug fr. connectionbl.
69	Hose Drain	7001895	1	Drain
70	Counternut 1270-08 (1/2")	710252	1	Drain
71	Adapter 1260-08-08 (1/2")	710244	1	Drain
72	Quick coupling 1/2"	790115	1	Drain
73	Dust Protection 1/2"	790121	1	Drain

EC-Oil:

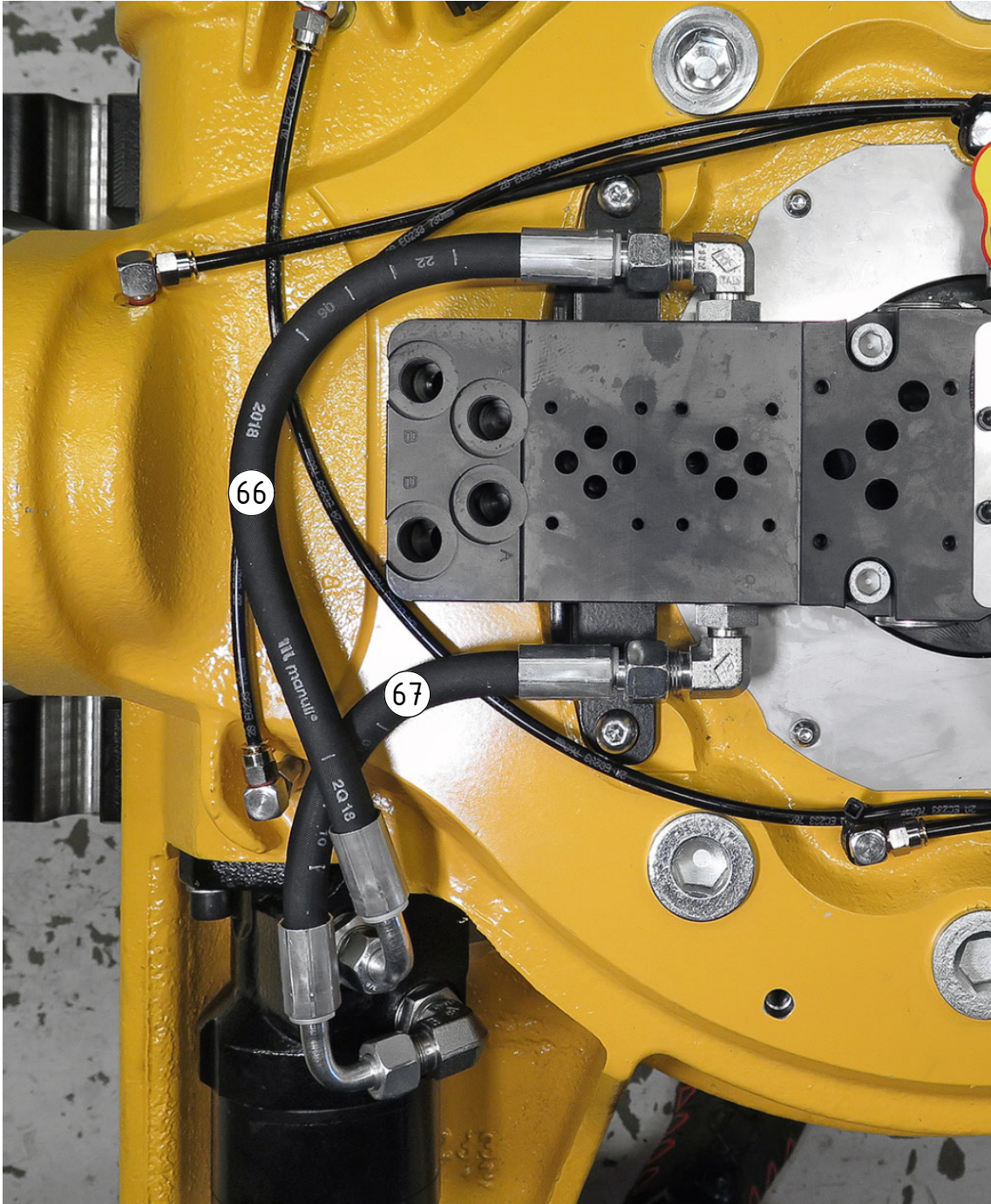


Without ECO - Option Drain:



Motor hoses

POS	DESCRIPTION	PART	QTY	COMMENTS
66	Hose hydraulic motor Long	7000451	1	
67	Hose hydraulic motor Short	7000903	1	



POS in order of assembly