

COVERSHEET

Planned document changes:

Briefly:

No planned changes.

Document changes:

Date:	Change:	Rev. after change:
2023-12-07	Layout/irrelevant.	N
2018-06-21	Spare parts page updated.	M
2017-07-31	Coversheet added.	L

Readers note:

Indicates instruction.



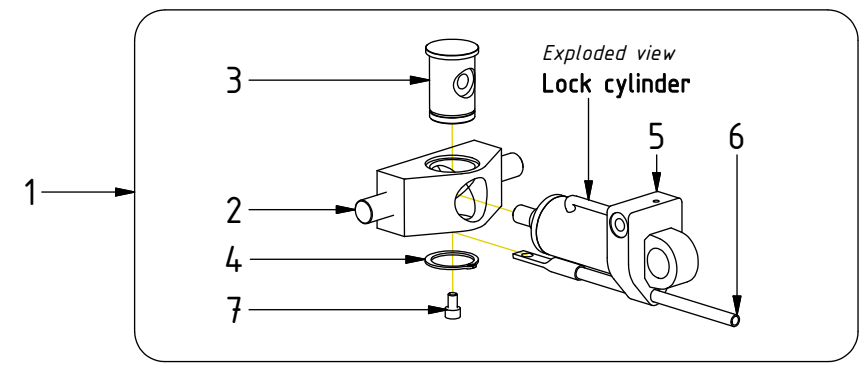
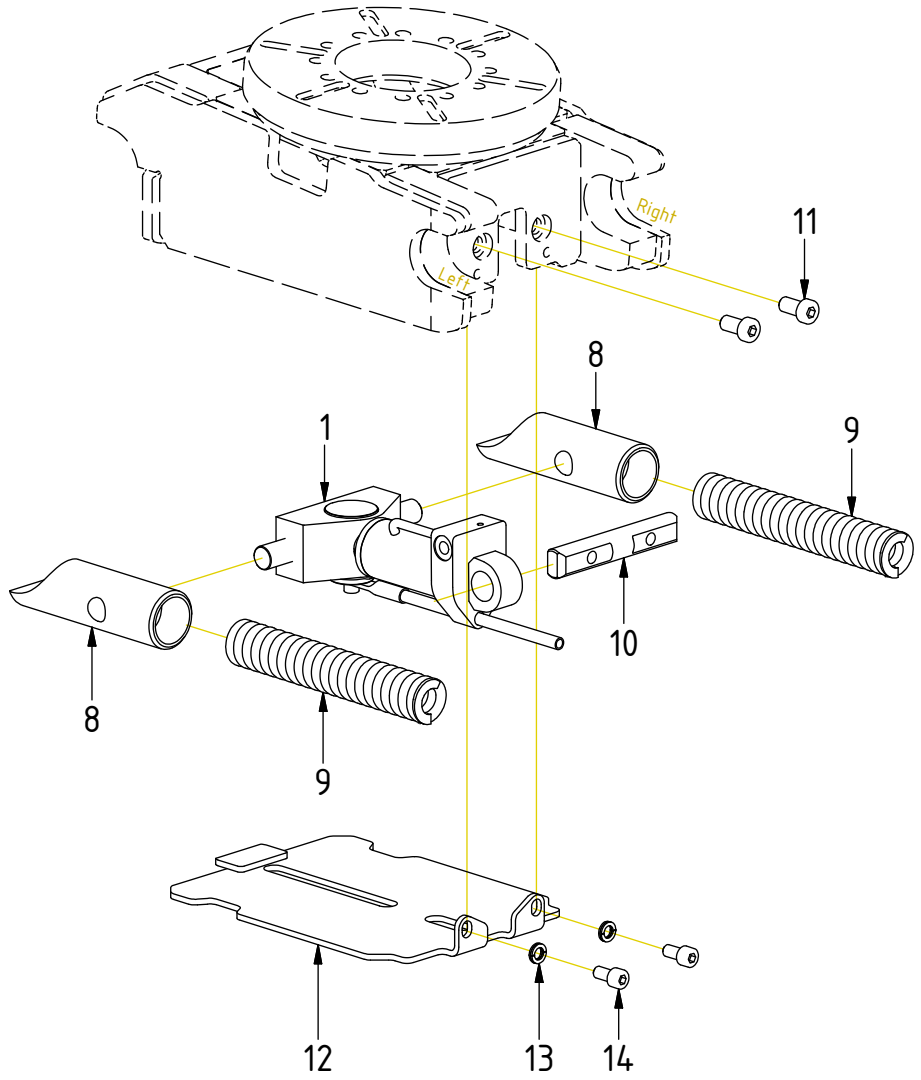
Represents Hose.

Dashed lines for overview, mounts
on other pages/assemblies.

Std. Hitch components - S40

EC204, EC206, EC02, EC05B, RFS40, TFS40

POS	DESCRIPTION	PART	QTY	COMMENTS
1	Lock set Complete	1024690	1	(POS.2-7 incl.)
2	Lock Yoke machined	1024688	1	
3	Lock Pin S40H	1024689	1	
4	Circlip	640202	1	
5	Lock cylinder S40	1003530	1	
6	Indicator Pin	1003973	1	
7	Screw MC6S 6x10 12.9 ZFSHL	611512	1	Loxeal 83-52
8	Lock Wedge	302617	2	
9	Spring $\varnothing 32/16-178$	640102	2	
10	Lock axle S40	1003675	1	
11	Screw MLC6S M10x20 8,8 FZB	610714	2	
12	Cover Plate S40 Bent	1005382	1	
13	Washer NL 8mm	611040	2	
14	Screw MC6S M8x16 12.9	610431	2	



POS in order of assembly

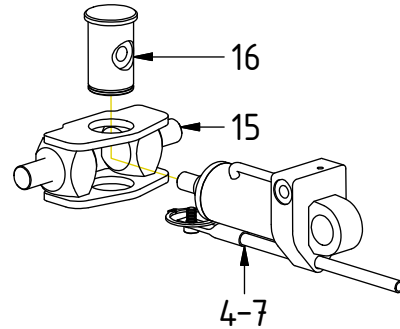
SPARE PARTS

POS	DESCRIPTION	PART	QTY	COMMENTS
1	Lock set Complete	1024690	1	(POS.2-7 incl.)
2	Lock Yoke machined	1024688	1	
3	Lock Pin S40H	1024689	1	
4	Circlip	640202	1	
5	Lock cylinder S40	1003530	1	
6	Indicator Pin	1003973	1	
7	Screw MC6S 6x10 12.9 ZFSHL	611512	1	Loxeal 83-52
12	Cover Plate S40 Bent	1005382	1	
15	Lock Yoke	1003559	2	Replaced by POS.2 from 2014-04
16	Lock Pin	1003959	1	Replaced by POS.3 from 2014-04
17	Lock cylinder	300783	1	Replaced by POS.2 from 2008-04
18	Screw M6S 6x16 10.9 FZB	610109	1	Replaced by POS.7 from 2008-04
19	Lock axle	400565	1	Used until 2008-04
20	Guide pin	400611	2	Used until 2008-04
21	Screw MF6S M10x30 10.9 untreatead	610635	2	Used until 2008-04
23	Indicator pin	401001	1	Replaced by POS.6 from 2008-04
24	Cover Plate S40	1003977	1	Replaced by POS.12 from 2008-04

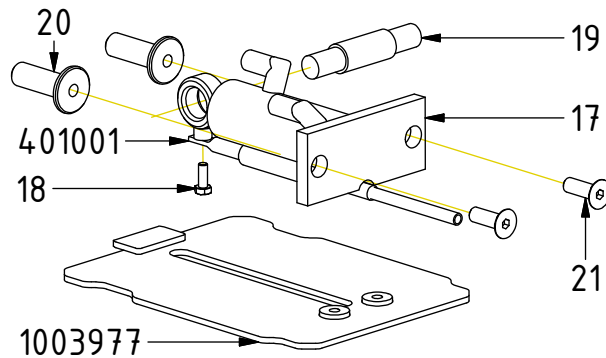
1004020 replaced by POS.1 from 2014-04

Replacing Lock Pin with current version: Yoke must also be replaced

Replacing Yoke with current version: Lock pin replacement is optional



Used until 2008-04



Not compatible with current version

Used during 2000

EC05A & TF10:

200167K: Lock cylinder S40 EC05A complete (square wedge)

400365: Lock wedge S40 square EC05A/TF10

400461: Axle grab cylinder GR10 (against Grab arm)