

## COVERSHEET

## Planned document changes:


**Briefly:**


No planned changes.

## Document changes:

Date:	Change:	Rev. after change:
2026-06-24	Photos corrected.	A
2026-02-11	New document.	-

*Readers note:*

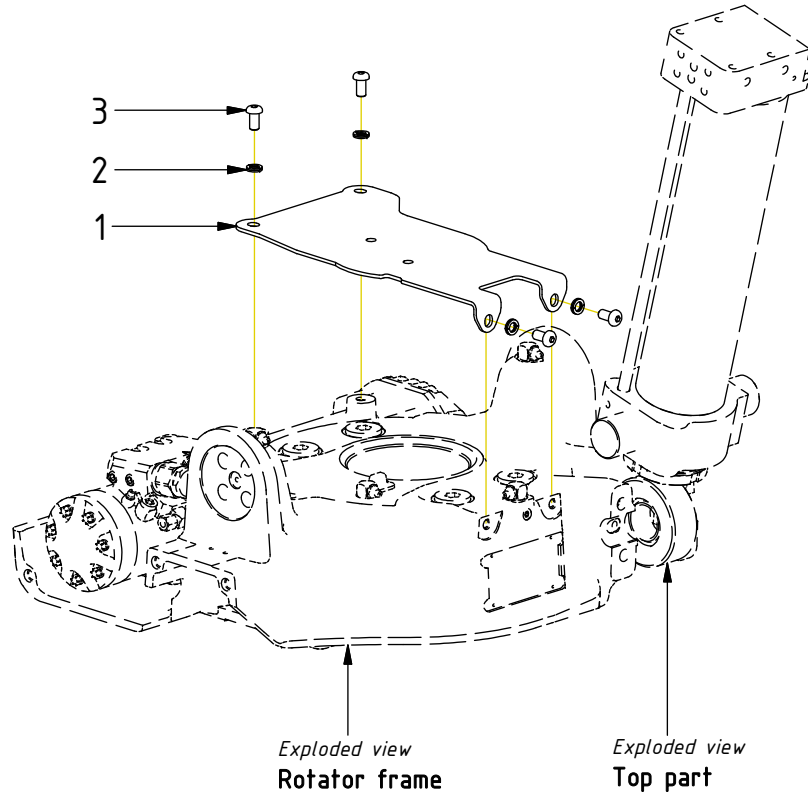
 Indicates instruction.

 Represents Hose.

Dashed lines for overview, mounts  
on other pages/assemblies.

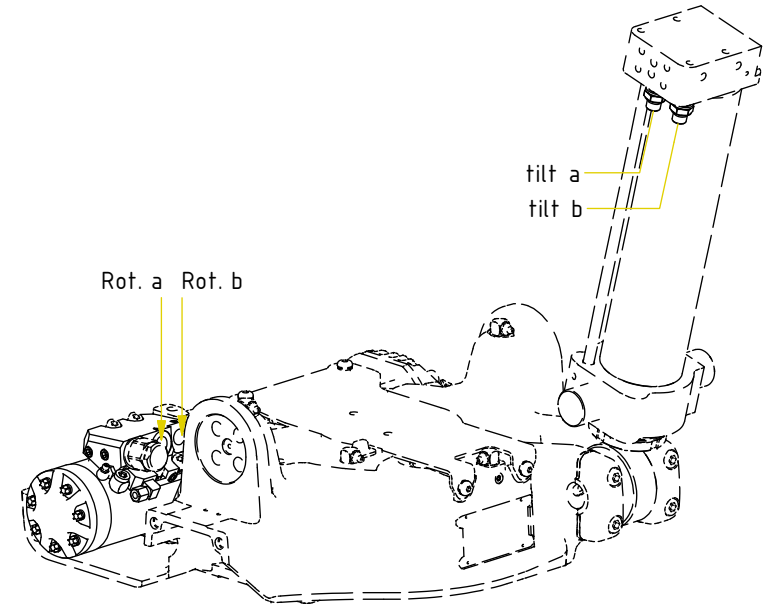
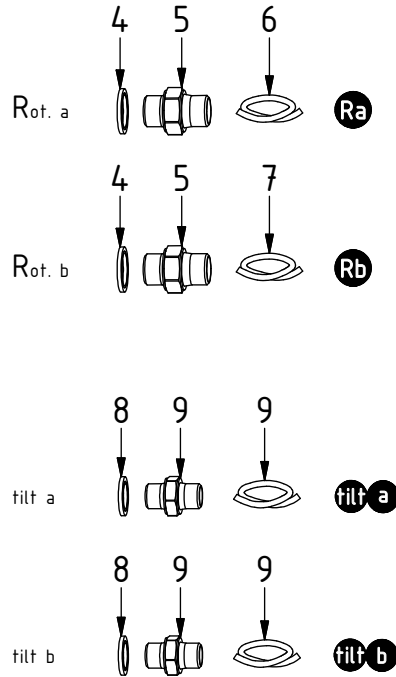
POS	DESCRIPTION	PART	QTY	COMMENTS
1	Cover plate EC206BU	1084532	1	
2	Washer NL 8mm	611040	4	
3	Screw K6S M8x16 10.9 FZB	611810	4	

POS in order of assembly



Hoses

POS	DESCRIPTION	PART	QTY	COMMENTS
4	Washer GBR06 3/8	710703	2	
5	Adapter 136-06-06 (3/8")	710106	2	
6	Hose Rotation a (ss0)	7001669	1	
7	Hose Rotation b (ss0)	7001670	1	
8	Washer GBR04 1/4	710702	2	
9	Adapter 138-04-29 (1/4")	710135	2	
10	Hose Feed Tilt a	7000325	1	
11	Hose Feed Tilt b	7000324	1	



POS in order of assembly

POS	DESCRIPTION	PART	QTY	COMMENTS
6	Hose Rotation a (ss0)	7001669	1	
7	Hose Rotation b (ss0)	7001670	1	
10	Hose Feed Tilt a	7000325	1	
11	Hose Feed Tilt b	7000324	1	

POS in order of assembly

