

COVERSHEET

Planned document changes:

Briefly:

2026-05-22. Add to spare parts page: Shim 1085732 (140/76x6).

Document changes:

Date:	Change:	Rev. after change:
2026-01-28	ECO blocks and couplings updated.	I
2025-09-10	Extension cable updated. Alternative push-in added.	H
2025-05-15	ECO hose kit added. ss9 & ss10(SVAB) added.	G
2024-10-03	Cover plates updated. O-rings updated.	F
2024-05-28	DC3 cable replaced. Frame updated.	E
2024-02-19	Cover plate updated. Sideblock as std. assy.	D
2023-11-22	DC3 added.	C
2023-09-21	Options updated.	B
2023-09-06	Options added.	A
2023-05-23	New document.	-

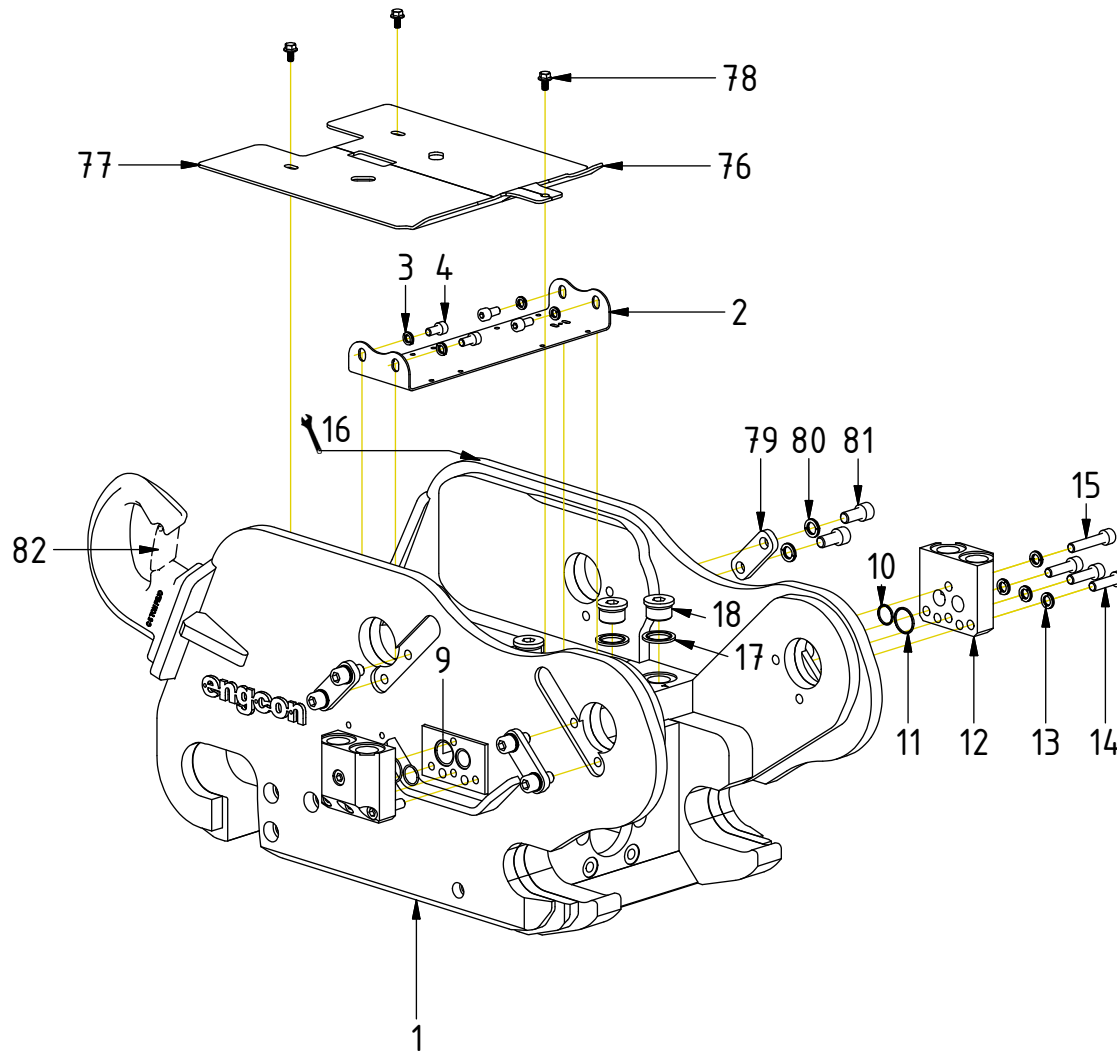
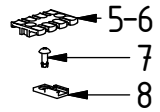
Readers note:

Indicates instruction.



Represents Hose.

Dashed lines for overview, mounts
on other pages/assemblies.



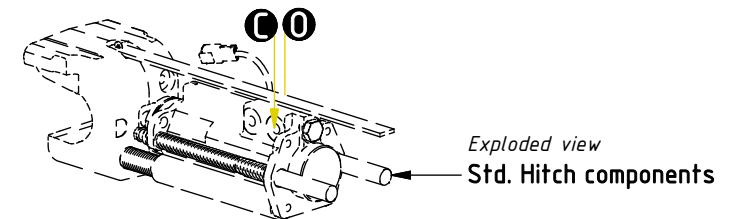
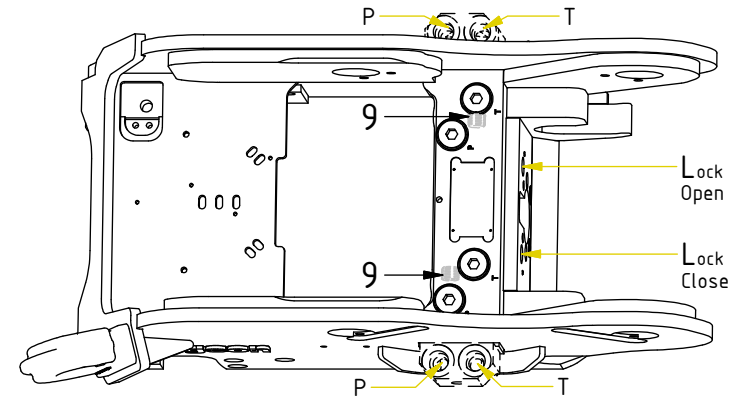
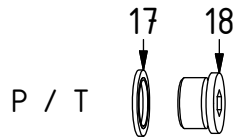
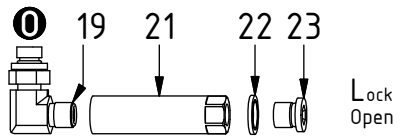
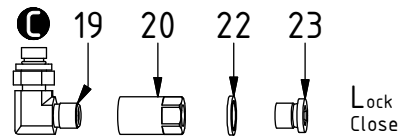
POS	DESCRIPTION	PART	QTY	COMMENTS
1	Quick hitch is selected via engcon			(Machine dependent)
2	Bolted plate S60	1071434	1	
3	Washer NL 8mm	611040	9	QTY depends on config.
4	Screw MC6S M8x16 12.9 ZFSHL	610432	4	
5	Strain relief plate ZL60	8000703	1	
6	Strain relief plate ZL87	8000704	1	
7	Blind rivet 4,0x12,3 DIN7337	6000294	10	
8	Holder Deutsch coupling	810662	6	
9	Pipe Plug 1/2" for 2bl.	711524	2	For EC-Oil 2bl. See position on p.3
10	O-ring 18,77x1,78	710981	2	
11	O-ring 25,12x1,78	710984	2	
12	Side block S60 hose connection V2	1070991	2	
13	Washer NL 10mm	611041	14	
14	Screw MC6S M10x35 12.9 ZFSHL	612019	9	Torque: 79Nm
15	Screw MC6S M10x50 12.9 ZFSHL	611515	2	
16	Punch serial number into hitch			
17	Washer GBR12 3/4	710706	8	
18	Plug DIN 908 3/4"	7000799	8	
19	S60 Cover plate Right	1078658	1	
20	S60 Cover plate Left	1078659	1	
21	Screw M6SF 8x12H Riffled	6000120	3	
22	Lock plate for axles	1067225	4	Assemble with slight play
23	Washer NL 12mm	611042	8	
24	Screw MC6S M12x25 12.9 ZFSHL	6000164	8	
25	Safety latch	404251	1	Lifting hook spare part

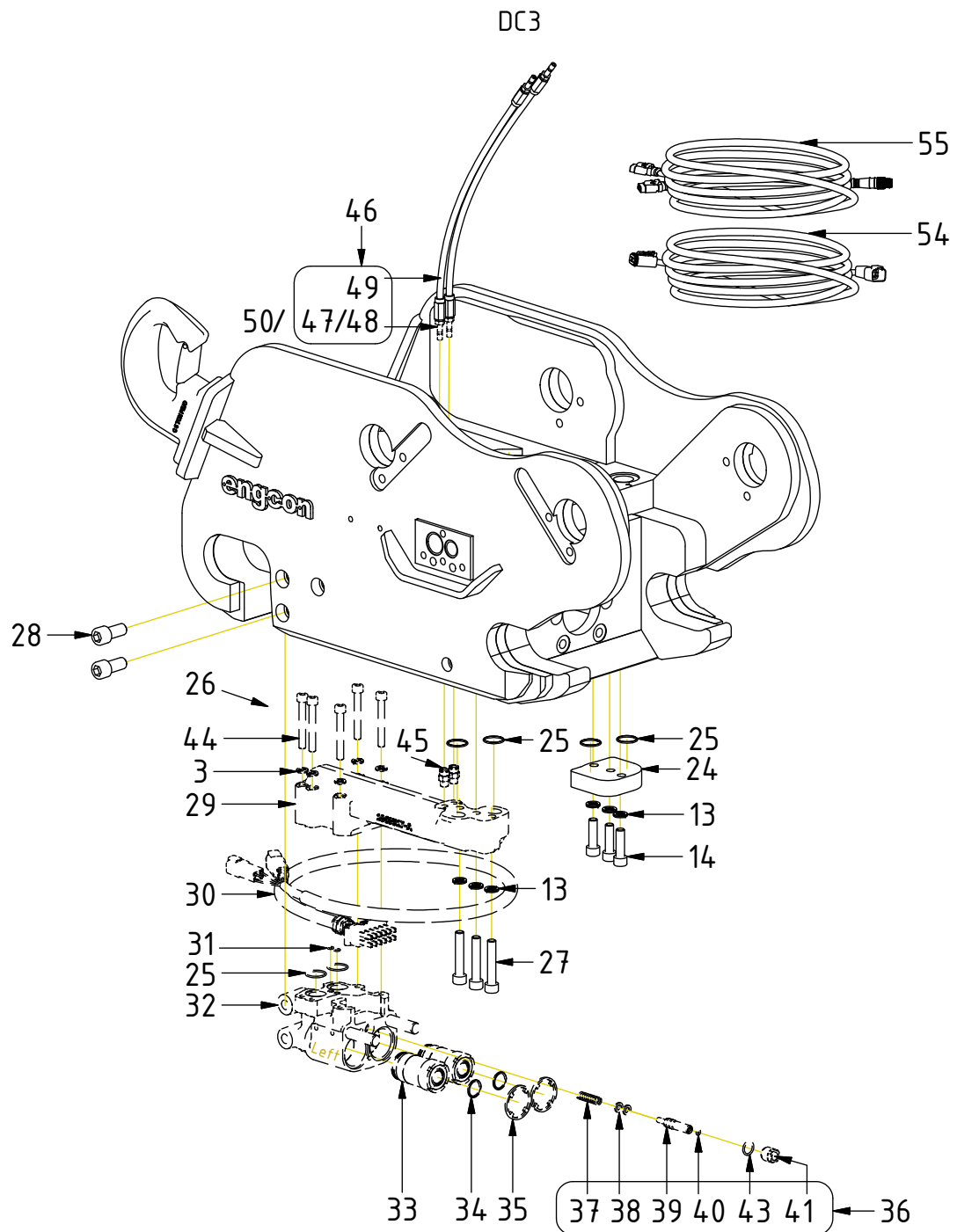
POS in order of assembly

Hydraulics

POS	DESCRIPTION	PART	QTY	COMMENTS
9	Pipe Plug 1/2" for 2bl.	711524	2	For EC-Oil 2bl.
17	Washer GBR12 3/4	710706	8	
18	Plug DIN 908 3/4"	7000799	8	
19	Adapter 067005-04-04 (1/4")	7000247	2	
20	Lock adapter tube Short S60	1071217	1	Loxéal 83-52
21	Lock adapter tube Long S60	1071216	1	Loxéal 83-52
22	Washer GBR04 1/4	710702	2	
23	Plug 153-04 (1/4")	711505	2	

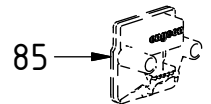
POS in order of assembly



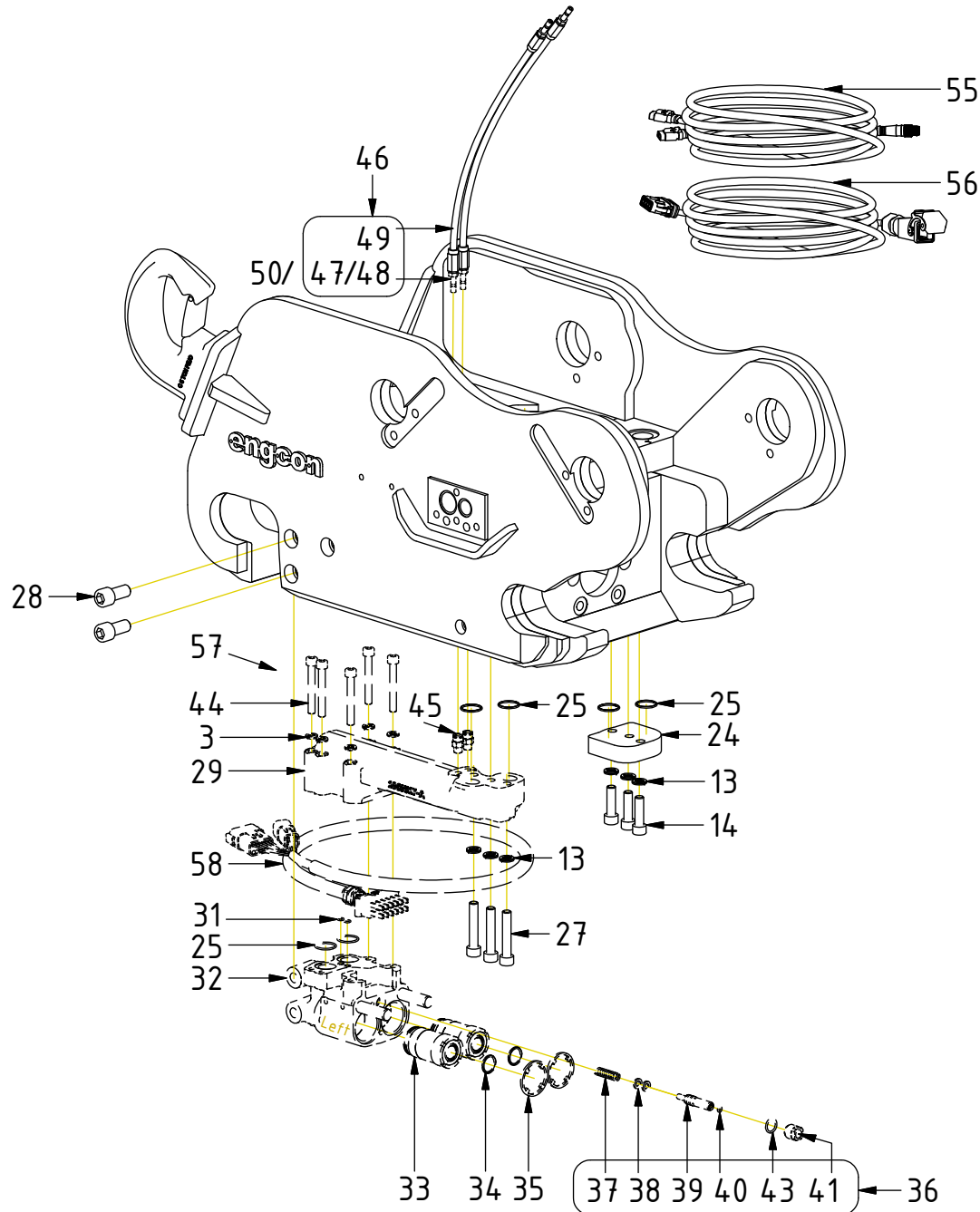


POS	DESCRIPTION	PART	QTY	COMMENTS
3	Washer NL 8mm	611040	9	QTY depends on config.
13	Washer NL 10mm	611041	14	
14	Screw MC6S M10x35 12.9 ZFSHL	612019	9	Torque: 79Nm
24	Covering plate S60 machined	1071029	1	
25	O-ring 21,95x1,78	7001829	6	
26	Connection bl. w. ECO hy.el.cl. DC3 Complete	1081447	1	(POS.3, 25, 29-33,35-36,44-45 incl.)
27	Screw MC6S M10x55 12.9 ZFSHL	612022	3	Torque: 79Nm
28	Screw MC6S M14x30 12.9 ZFSHL	6000197	2	Loxeal 83-52. Torque: 217Nm
29	Connection block ECO Left	1069516	2	
30	Power plug ECO W Hitch (4P, 6P)	8002155	1	
31	O-ring 4,48x1,78	7001849	4	
32	Block ECO60 W Hitch S60 Left	1070300	2	
33	Coupling ECO W 1/2" V4	1078510	2	Torque: 60Nm. (POS.34 incl.)
34	Flat sealing for ECO W 1/2" V3	1050018	2	
35	Dirt protection block ECO 1/2"	1028229	2	
36	Lubrication kit ECO W V2	1050794	1	(POS.37-43 incl.)
37	Spring 6058	1024113	1	
38	Piston sealing KPOR130 12x7,1x2,2	1024112	2	(O-ring incl. with seal ring)
39	Grease piston	1024111	1	
40	O-ring 3,69x1,78	1024115	1	
41	Nut grease piston	1047688	1	Wrap with thread sealing tape
42	O-ring 9,25x1,78	712429	1	Located inside nut
43	O-ring 14x2	7000767	1	
44	Screw MC6S M8x60 12.9	610441	5	
45	Push-in coupling R1/8"	790172	4	
46	Hose kit - lubrication ECO W	7000514	1	(POS.47-49 incl.)
47	Push-In Tube sleeve straight 20mm	7001521	2	Depends on the specific hitch model
48	Push-In Tube sleeve 45° 15mm	7001980	2	Depends on the specific hitch model
49	Hose 2m - lubricant ECO	790176	2	
50	Tube sleeve 90° Push-In	7000318	2	If colliding axle. See p.12 for instr.
54	Extension Cable ECO W DC3 (4S, 4P)	8002371	1	Attach to 4P
55	Cable QS - QLM - Quick hitch	842149	1	Attach to QS sensors
85	Transport Protection ECO-Block	1047716	1	

POS in order of assembly

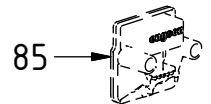


DC2 Std. config.

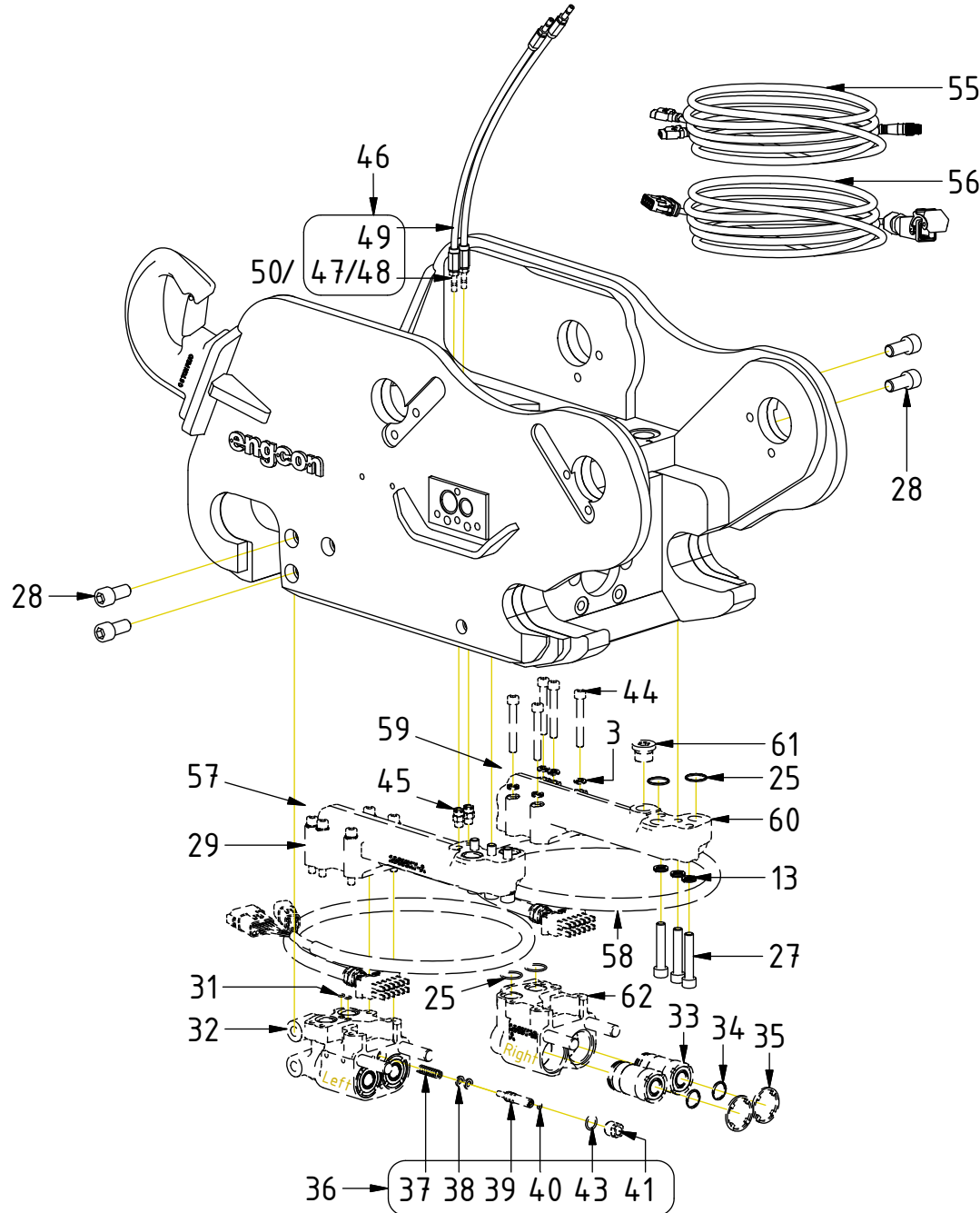


POS	DESCRIPTION	PART	QTY	COMMENTS
3	Washer NL 8mm	611040	9	QTY depends on config.
13	Washer NL 10mm	611041	14	
14	Screw MC6S M10x35 12.9 ZFSL	612019	9	Torque: 79Nm
24	Covering plate S60 machined	1071029	1	
25	O-ring 21,95x1,78	7001829	6	
27	Screw MC6S M10x55 12.9 ZFSL	612022	3	Torque: 79Nm
28	Screw MC6S M14x30 12.9 ZFSL	6000197	2	Loxeal 83-52. Torque: 217Nm
29	Connection block ECO Left	1069516	2	
31	O-ring 4,48x1,78	7001849	4	
32	Block ECO60 W Hitch S60 Left	1070300	2	
33	Coupling ECO W 1/2" V4	1078510	2	Torque: 60Nm. (POS.34 incl.)
34	Flat sealing for ECO W 1/2" V3	1050018	2	
35	Dirt protection block ECO 1/2"	1028229	2	
36	Lubrication kit ECO W V2	1050794	1	(POS.37-43 incl.)
37	Spring 6058	1024113	1	
38	Piston sealing KPOR130 12x7,1x2,2	1024112	2	(O-ring incl. with seal ring)
39	Grease piston	1024111	1	
40	O-ring 3,69x1,78	1024115	1	
41	Nut grease piston	1047688	1	Wrap with thread sealing tape
42	O-ring 9,25x1,78	712429	1	Located inside nut
43	O-ring 14x2	7000767	1	
44	Screw MC6S M8x60 12.9	610441	5	
45	Push-in coupling R1/8"	790172	4	
46	Hose kit - lubrication ECO W	7000514	1	(POS.47-49 incl.)
47	Push-In Tube sleeve straight 20mm	7001521	2	Depends on the specific hitch model
48	Push-In Tube sleeve 45° 15mm	7001980	2	Depends on the specific hitch model
49	Hose 2m - lubricant ECO	790176	2	
50	Tube sleeve 90° Push-In	7000318	2	If colliding axle. See p.12 for instr.
55	Cable QS - QLM - Quick hitch	842149	1	Attach to QS sensors
56	Aggregate cable ECO60 W DC2	1048528	1	Attach to 12P
57	Connect.bl. w ECO hy.el.ct. DC2 Comp.	1082331	1	(POS.3,25,29,31-33,35-36,44-45,58)
58	Power plug ECO W Hitch (12P, 6P)	8002050	1	Cable gland torque: 6Nm
85	Transport Protection ECO-Block	1047716	1	

POS in order of assembly

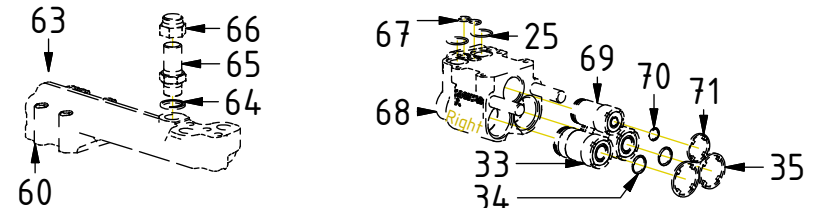


DC2 Option 2bl.

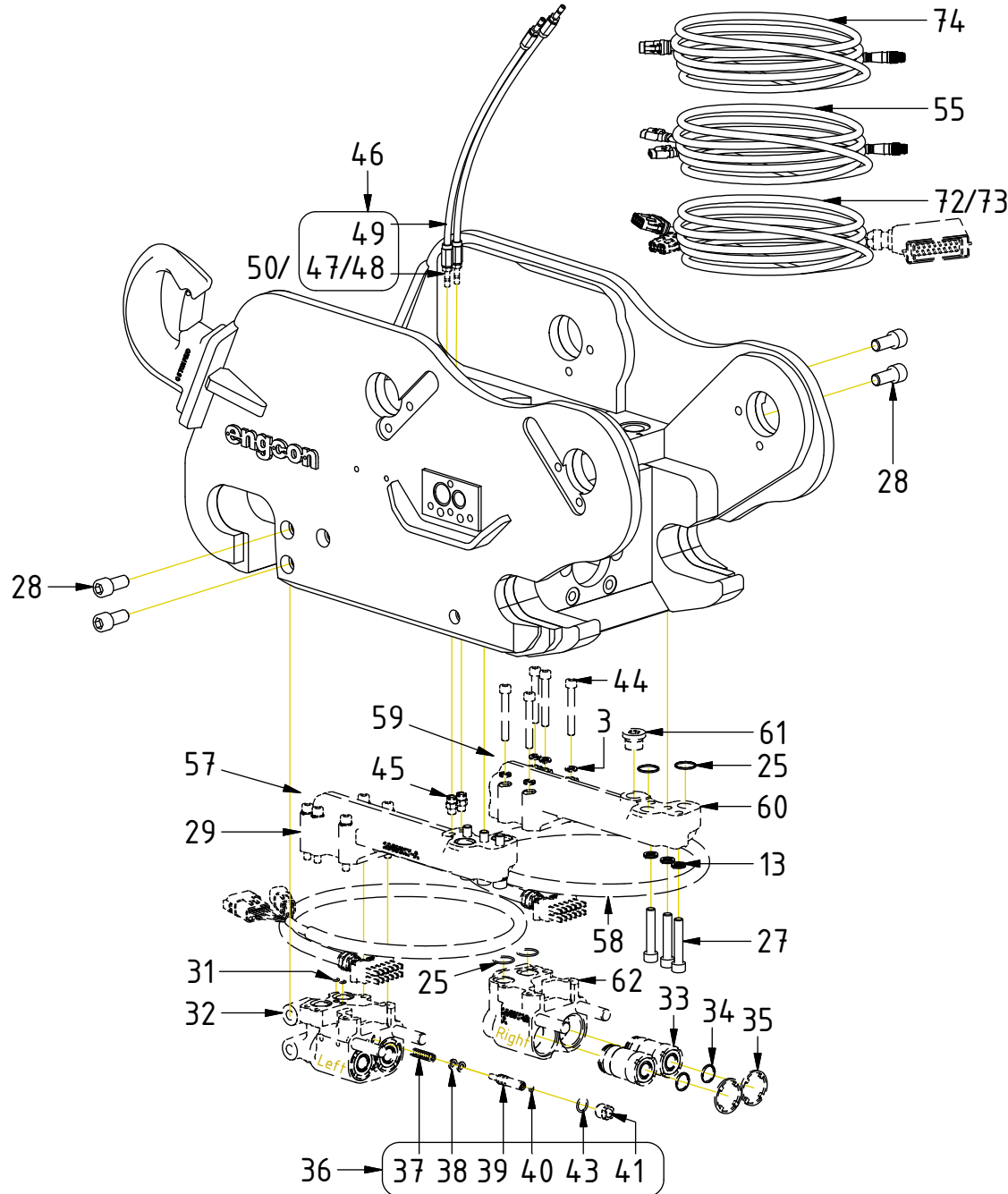


POS	DESCRIPTION	PART	QTY	COMMENTS
3	Washer NL 8mm	611040	9	QTY depends on config.
13	Washer NL 10mm	611041	14	
25	O-ring 21,95x1,78	7001829	6	
27	Screw MC6S M10x55 12.9 ZFSL	612022	3	Torque: 79Nm
28	Screw MC6S M14x30 12.9 ZFSL	6000197	2	Loxal 83-52. Torque: 217Nm
29	Connection block ECO Left	1069516	2	
31	O-ring 4,48x1,78	7001849	4	
32	Block ECO60 W Hitch S60 Left	1070300	2	
33	Coupling ECO W 1/2" V4	1078510	2	Torque: 60Nm. (POS.34 incl.)
34	Flat sealing for ECO W 1/2" V3	1050018	2	
35	Dirt protection block ECO 1/2"	1028229	2	
36	Lubrication kit ECO W V2	1050794	1	(POS.37-43 incl.)
37	Spring 6058	1024113	1	
38	Piston sealing KPOR130 12x7,1x2,2	1024112	2	(O-ring incl. with seal ring)
39	Grease piston	1024111	1	
40	O-ring 3,69x1,78	1024115	1	
41	Nut grease piston	1047688	1	Wrap with thread sealing tape
42	O-ring 9,25x1,78	712429	1	Located inside nut
43	O-ring 14x2	7000767	1	
44	Screw MC6S M8x60 12.9	610441	5	
45	Push-in coupling R1/8"	790172	4	
46	Hose kit - lubrication ECO W	7000514	1	(POS.47-49 incl.)
47	Push-In Tube sleeve straight 20mm	7001521	2	Depends on the specific hitch model
48	Push-In Tube sleeve 45° 15mm	7001980	2	Depends on the specific hitch model
49	Hose 2m - lubricant ECO	790176	2	
55	Cable QS - QLM - Quick hitch	842149	1	Attach to QS sensors
56	Aggregate cable ECO60 W DC2	1048528	1	Attach to Left 12P
57	Connect.bl. w ECO hy.el.cl. DC2 Comp.	1082331	1	(POS.3,25,29,31-33,35-36,44-45,58)
58	Power plug ECO W Hitch (12P, 6P)	8002050	1	Cable gland torque: 6Nm
59	Connection bl. w. ECO hy.el. Compl.	1082332	1	(POS.3, 25, 30, 33, 35, 44, 58,60-62)
60	Connection block ECO Right	1069728	1	
61	Plug 70125-08 (1/2")	711500	1	
62	Block ECO60 W Hitch S60 Right	1071805	1	
63	Connection bl. w. ECO 3hy. Compl.	1081448	1	(POS.3, 25, 33, 35, 44, 60, 64-71)
64	Washer GBR08 1/2	710704	1	
65	Adapter 1260-08-08 (1/2")	710244	1	
66	Protective Bonnet 155-08 (1/2")	711627	1	
67	O-ring 12,42x1,78 - NBR 90	7001842	2	
68	Block ECO60 W Hitch S60 Right 5hy.	1070496	1	
69	Coupling ECO 3/8" V3	1053029	1	(POS.70 incl.)
70	Flat sealing for ECO 3/8" V3	1052976	1	
71	Dirt protection block ECO 3/8"	1028274	1	

Option 5 hyd:

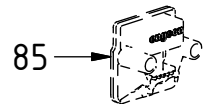
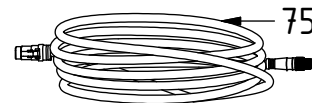


ss9 & ss10 (SVAB)

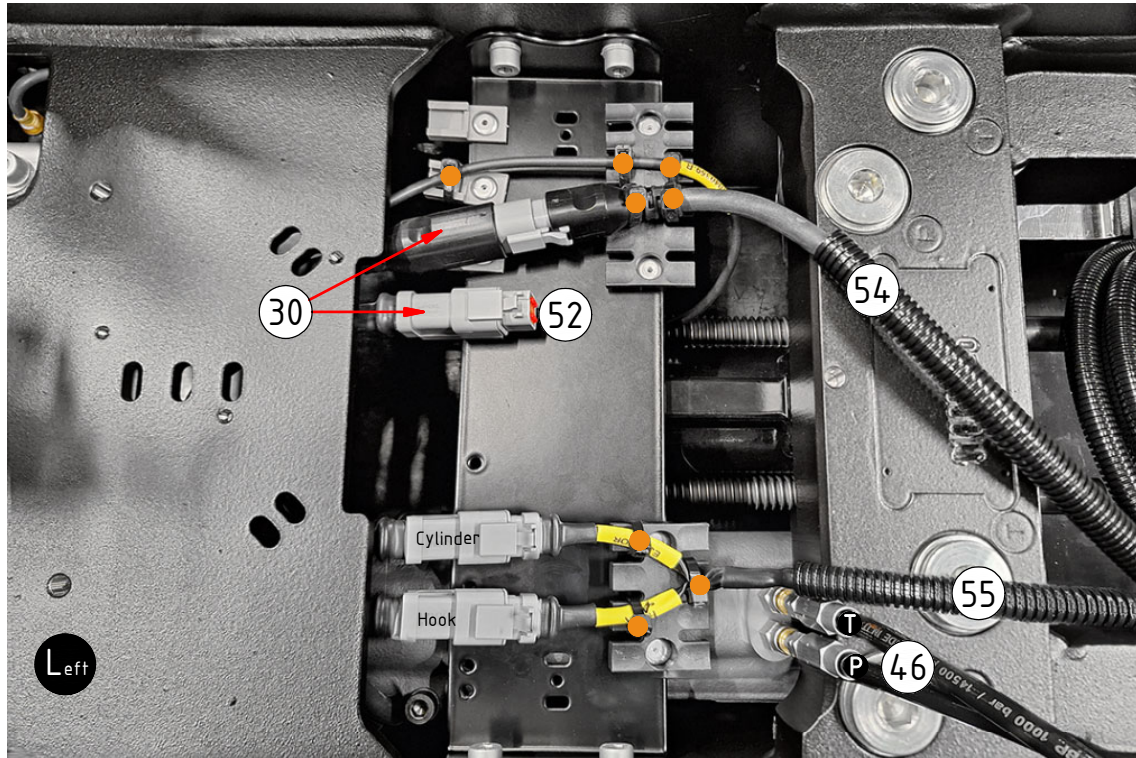


POS	DESCRIPTION	PART	QTY	COMMENTS
3	Washer NL 8mm	611040	9	QTY depends on config.
13	Washer NL 10mm	611041	14	
25	O-ring 21,95x1,78	7001829	6	
27	Screw MC6S M10x55 12.9 ZFSL	612022	3	Torque: 79Nm
28	Screw MC6S M14x30 12.9 ZFSL	6000197	2	Loxal 83-52. Torque: 217Nm
29	Connection block ECO Left	1069516	2	
31	O-ring 4,48x1,78	7001849	4	
32	Block ECO60 W Hitch S60 Left	1070300	2	
33	Coupling ECO W 1/2" V4	1078510	2	Torque: 60Nm. (POS.34 incl.)
34	Flat sealing for ECO W 1/2" V3	1050018	2	
35	Dirt protection block ECO 1/2"	1028229	2	
36	Lubrication kit ECO W V2	1050794	1	(POS.37-43 incl.)
37	Spring 6058	1024113	1	
38	Piston sealing KPOR130 12x7,1x2,2	1024112	2	(O-ring incl. with seal ring)
39	Grease piston	1024111	1	
40	O-ring 3,69x1,78	1024115	1	
41	Nut grease piston	1047688	1	Wrap with thread sealing tape
42	O-ring 9,25x1,78	712429	1	Located inside nut
43	O-ring 14x2	7000767	1	
44	Screw MC6S M8x60 12.9	610441	5	
45	Push-in coupling R1/8"	790172	4	
46	Hose kit - lubrication ECO W	7000514	1	(POS.47-49 incl.)
47	Push-In Tube sleeve straight 20mm	7001521	2	Depends on the specific hitch model
48	Push-In Tube sleeve 45° 15mm	7001980	2	Depends on the specific hitch model
49	Hose 2m - lubricant ECO	790176	2	
50	Tube sleeve 90° Push-In	7000318	2	If colliding axle. See p.12 for instr.
55	Cable QS - QLM - Quick hitch	842149	1	Attach to QS sensors
57	Connect.bl. w ECO hy.el.cl. DC2 Comp.	1082331	1	(POS.3,25,29,31-33,35-36,44-45,58)
58	Power plug ECO W Hitch (12P, 6P)	8002050	1	Cable gland torque: 6Nm
59	Connection bl. w. ECO hy.el. Compl.	1082332	1	(POS.3, 25, 30, 33, 35, 44, 58,60-62)
60	Connection block ECO Right	1069728	1	
61	Plug 70125-08 (1/2")	711500	1	
62	Block ECO60 W Hitch S60 Right	1071805	1	
72	Aggregate cable ECO60 W ss9-2	1036846	1	Attach to Left 12P
73	Agg. cable ECO60 W ss10(SVAB)	1029500	1	Attach to both 12P
74	Cable QS - QLM - Tilt rotator	842148	1	Attach to Left 6P
75	Cable ePS ECO W ss9,ss10(SVAB)	1042246	1	Attach to Right 6P

ePS:

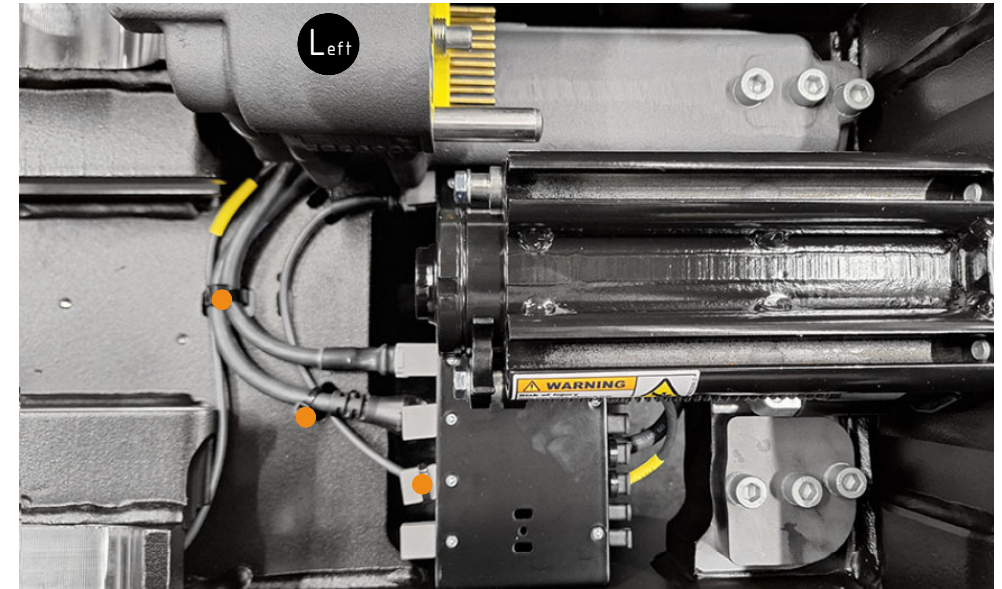


DC3



POS	DESCRIPTION	PART	QTY	COMMENTS
30	Power plug ECO W Hitch (4P, 6P)	8002155	1	
46	Hose kit - lubrication ECO W	7000514	1	(POS.47-49 incl.)
52	Plug for 6P	8000620	1	QTY depends on config.
54	Extension Cable ECO W DC3 (4S, 4P)	8002371	1	Attach to 4P
55	Cable QS - QLM - Quick hitch	842149	1	Attach to QS sensors
●	Use cable ties			

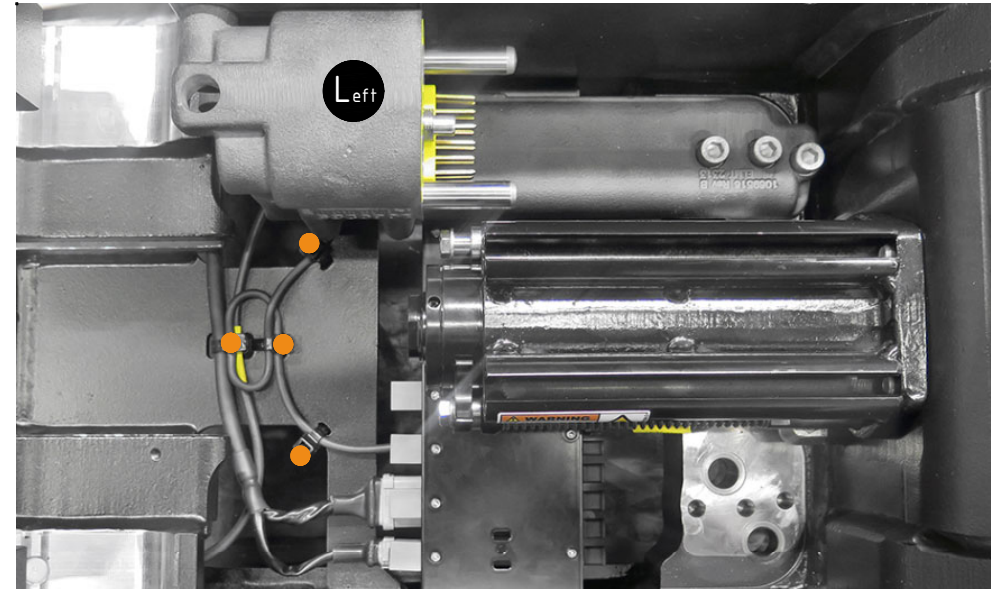
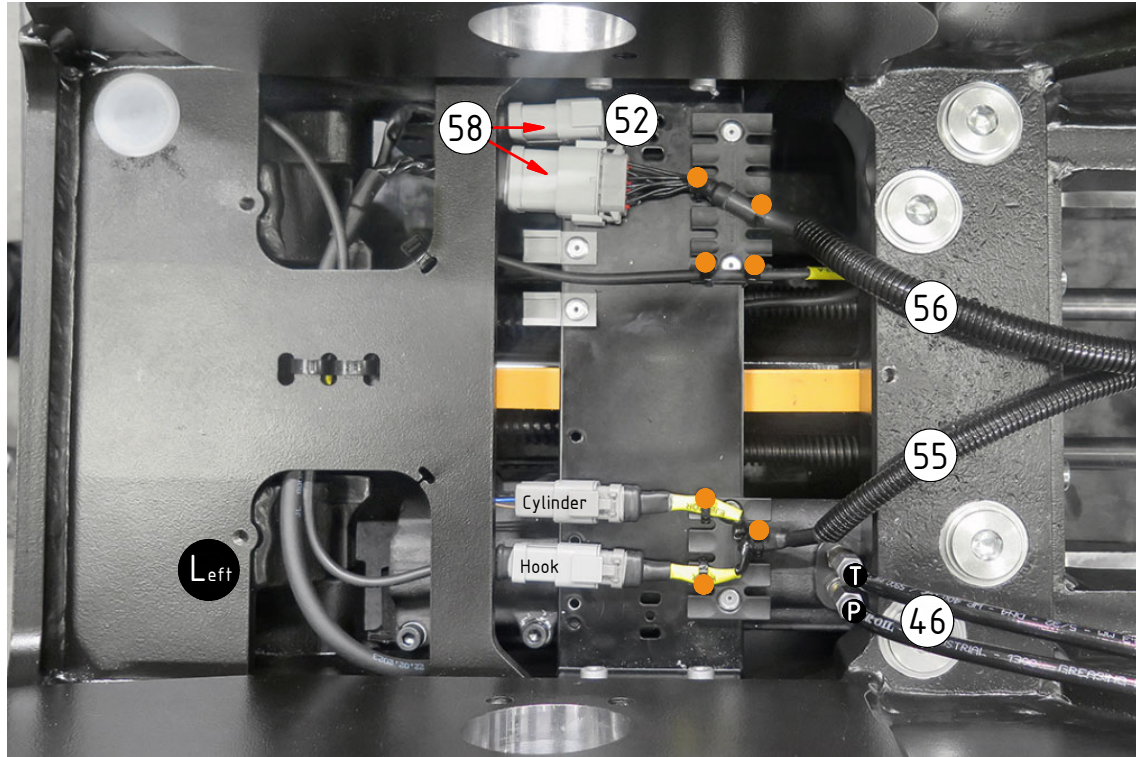
POS in order of assembly



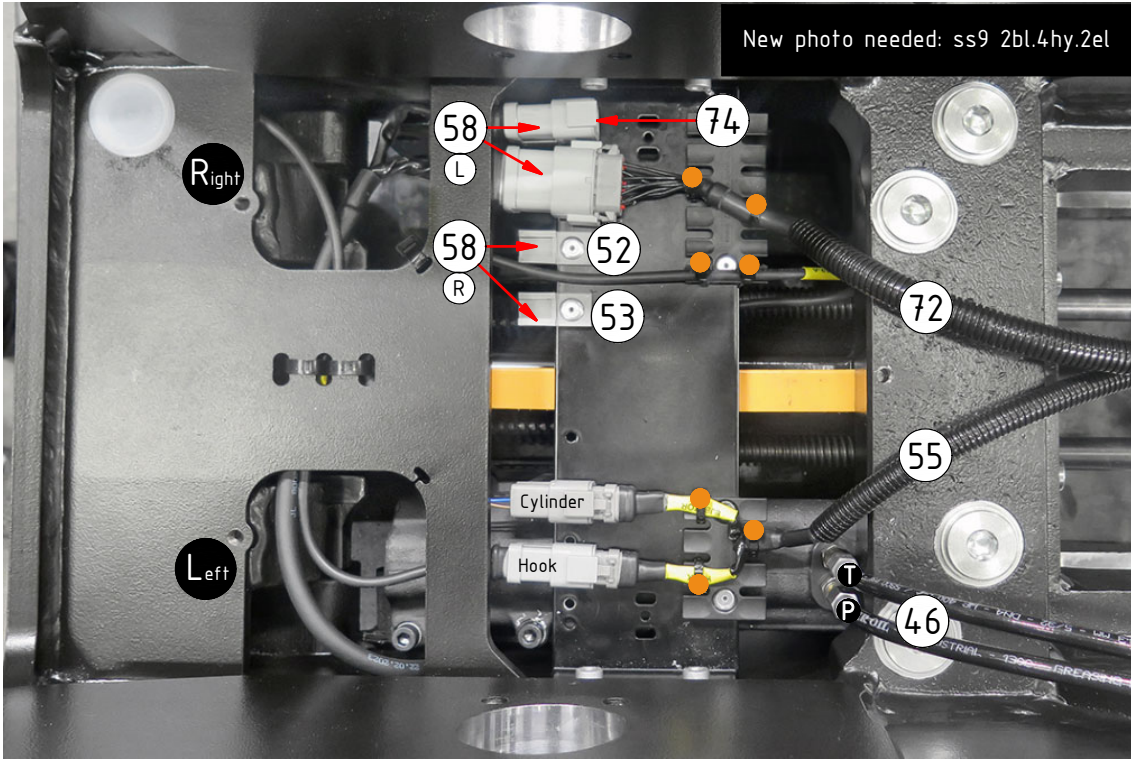
DC2 Std. config.

POS	DESCRIPTION	PART	QTY	COMMENTS
46	Hose kit - lubrication ECO W	7000514	1	(POS.47-49 incl.)
52	Plug for 6P	8000620	1	QTY depends on config.
55	Cable QS - QLM - Quick hitch	842149	1	Attach to QS sensors
56	Aggregate cable ECO60 W DC2	1048528	1	Attach to 12P
58	Power plug ECO W Hitch (12P, 6P)	8002050	1	Cable gland torque: 6Nm
●	Use cable ties			

POS in order of assembly

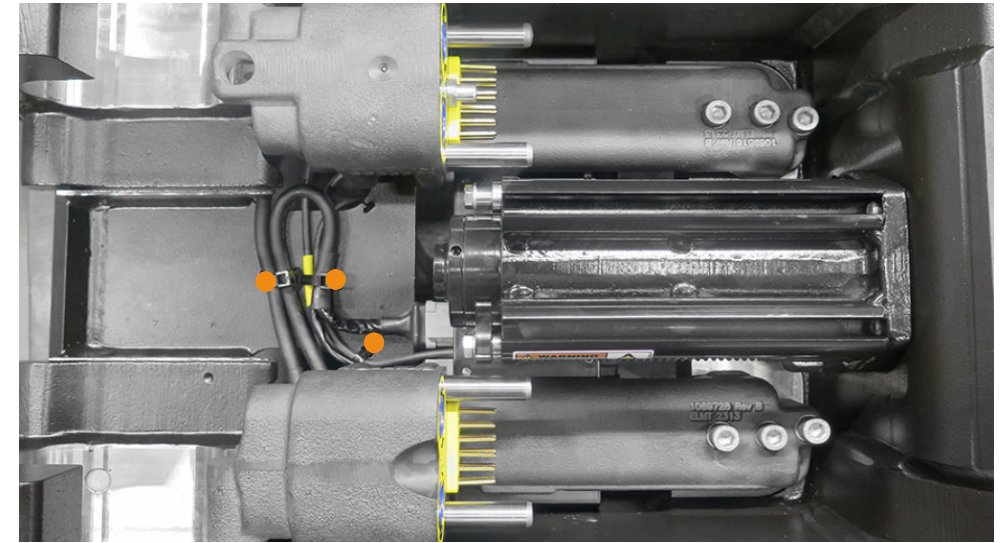


ss9

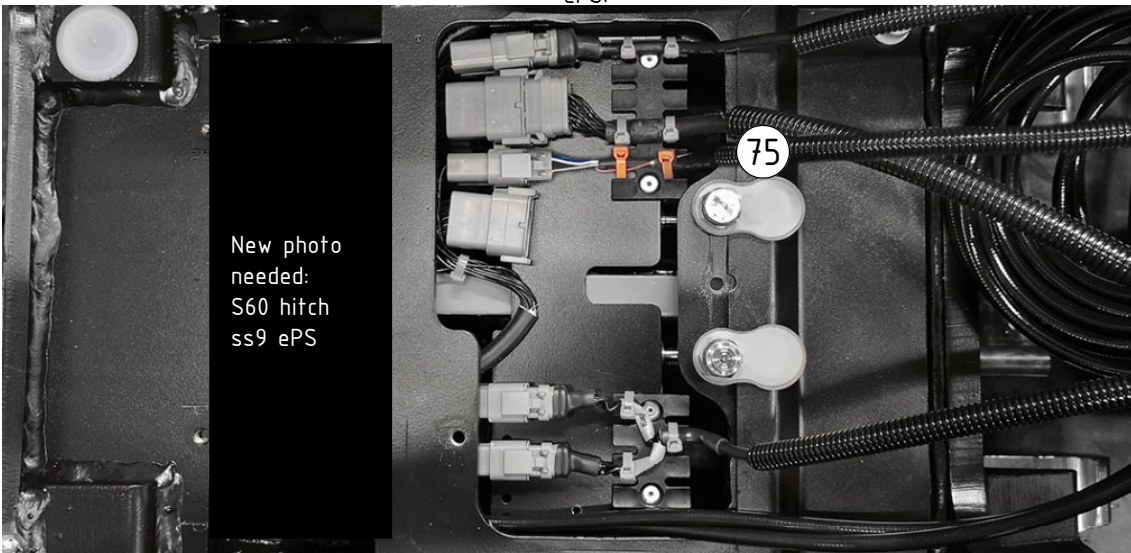


POS	DESCRIPTION	PART	QTY	COMMENTS
46	Hose kit - lubrication ECO W	7000514	1	(POS.47-49 incl.)
52	Plug for 6P	8000620	1	QTY depends on config.
53	Plug for 12P	8002058	1	
55	Cable QS - QLM - Quick hitch	842149	1	Attach to QS sensors
58	Power plug ECO W Hitch (12P, 6P)	8002050	1	Cable gland torque: 6Nm
72	Aggregate cable ECO60 W ss9-2	1036846	1	Attach to Left 12P
74	Cable QS - QLM - Tilt rotator	842148	1	Attach to Left 6P
75	Cable ePS ECO W ss9,ss10(SVAB)	1042246	1	Attach to Right 6P
●	Use cable ties			

POS in order of assembly



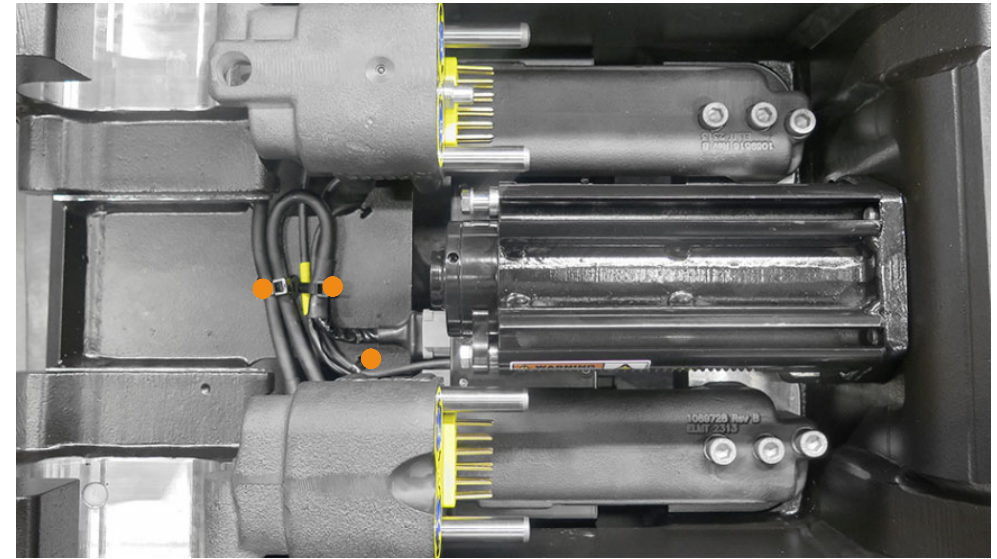
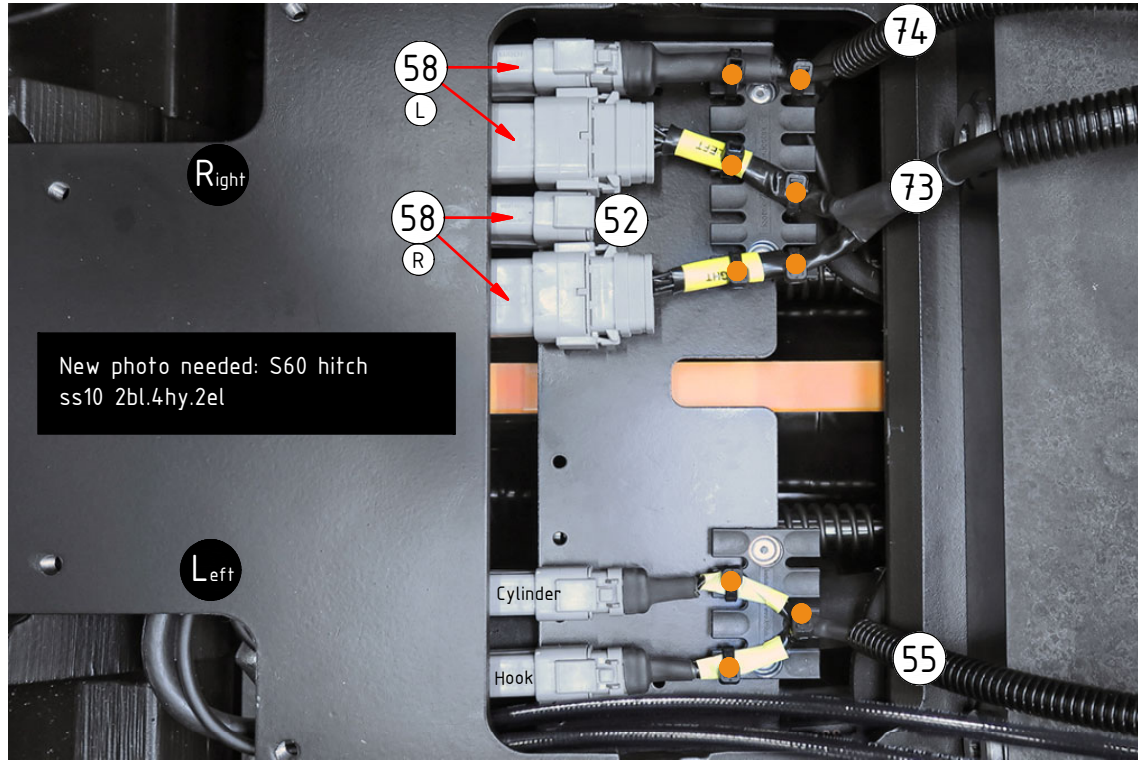
ePS:



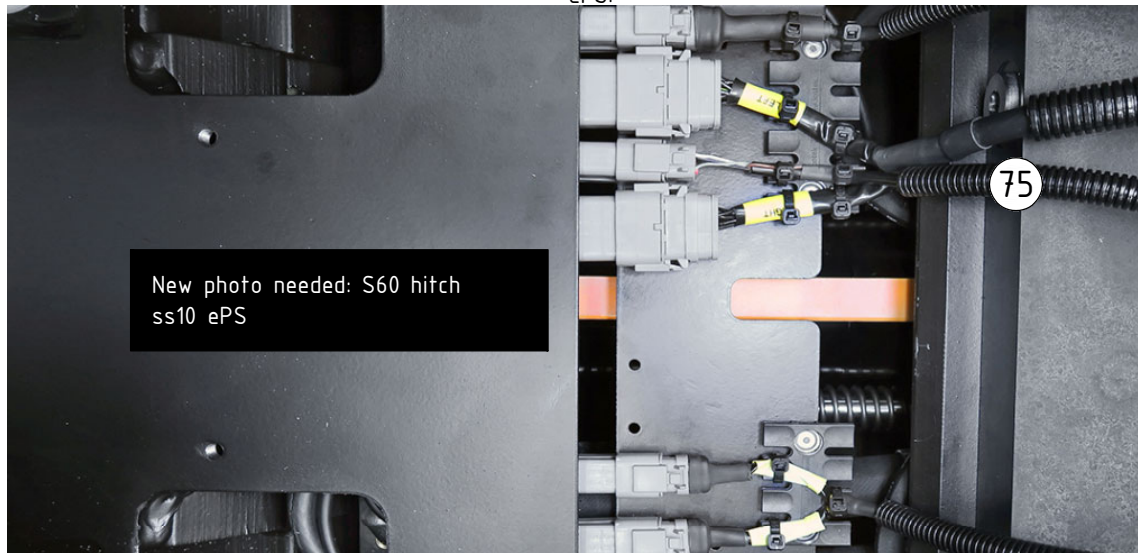
ss10 (SVAB)

POS	DESCRIPTION	PART	QTY	COMMENTS
46	Hose kit - lubrication ECO W	7000514	1	(POS.47-49 incl.)
52	Plug for 6P	8000620	1	QTY depends on config.
55	Cable QS - QLM - Quick hitch	842149	1	Attach to QS sensors
58	Power plug ECO W Hitch (12P, 6P)	8002050	1	Cable gland torque: 6Nm
73	Agg. cable ECO60 W ss10(SVAB)	1029500	1	Attach to both 12P
74	Cable QS - QLM - Tilt rotator	842148	1	Attach to Left 6P
75	Cable ePS ECO W ss9,ss10(SVAB)	1042246	1	Attach to Right 6P
●	Use cable ties			

POS in order of assembly



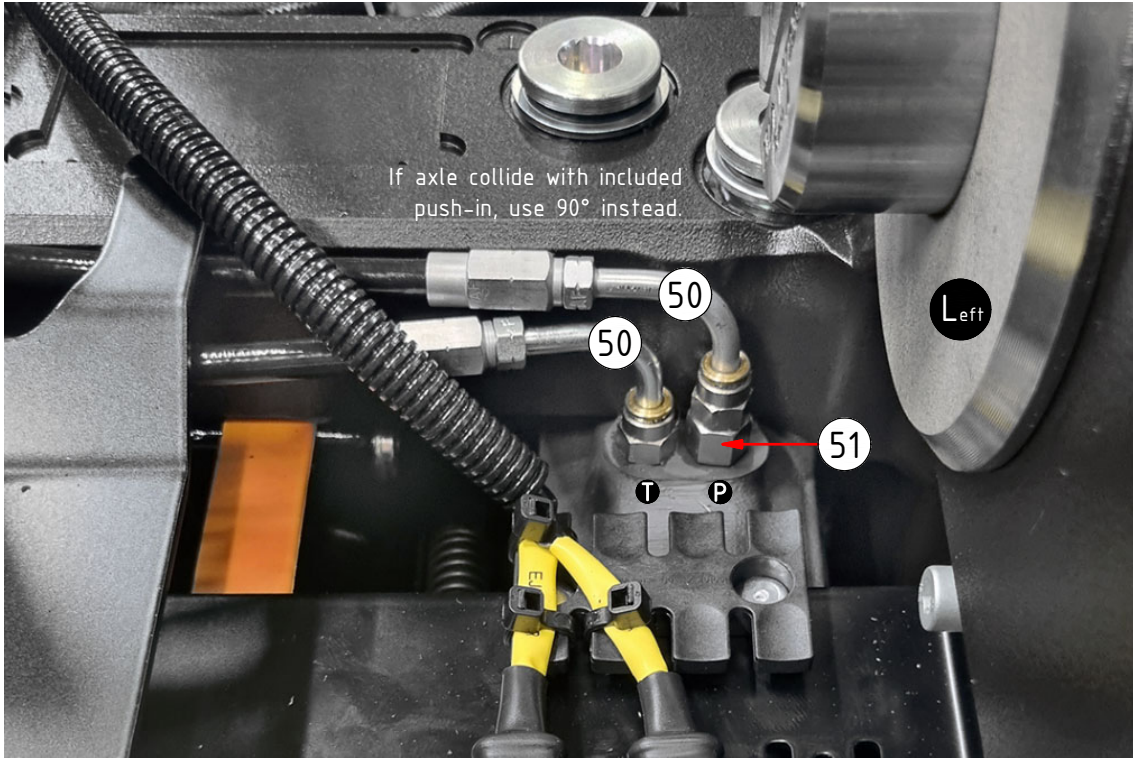
ePS:



special / options

Alternative push-in:

If axle collide with included push-in, use 90° instead.



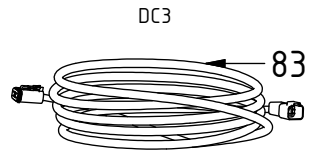
POS	DESCRIPTION	PART	QTY	COMMENTS
50	Tube sleeve 90° Push-In	7000318	2	If colliding axle / narrow cc.
51	Extender 18mm R1/8"	712216	1	

POS in order of assembly

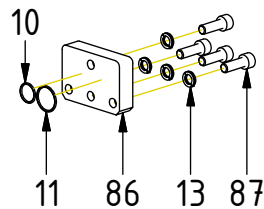
RELATED SPARE PARTS

POS	DESCRIPTION	PART	QTY	COMMENTS
10	O-ring 18,77x1,78	710981	2	
11	O-ring 25,12x1,78	710984	2	
12	Side block S60 hose connection V2	1070991	2	
13	Washer NL 10mm	611041	14	
54	Extension Cable ECO W DC3 (4S, 4P)	8002371	1	Attach to 4P
80	Washer NL 12mm	611042	8	
81	Screw MC6S M12x25 12.9 ZFSL	6000164	8	
83	Cable 2m ECO W DC3 (4S, 4P)	8001887	1	Replaced by POS.54 from 2024-04
86	Cover plate S60 (without sideblock)	1070776	2	Replaced by POS.12 from 2024-02
87	Screw MC6S M10x30 12.9 ZFSL	612018	8	Torque: 79Nm
88	Shoulder bolt 12x40/M10 12.9	6000391	5	Torque: 57Nm
89	Lifting hook forged bolted 5T	1072513	1	(POS.80-81, 88, 91 incl.)
90	Lifting ear bolted 5T	1074575	1	(POS.80-81, 88 incl.)
91	Safety latch	1075454	1	

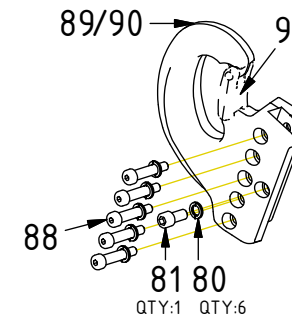
POS in order of assembly



Std. assy. until 2024-02

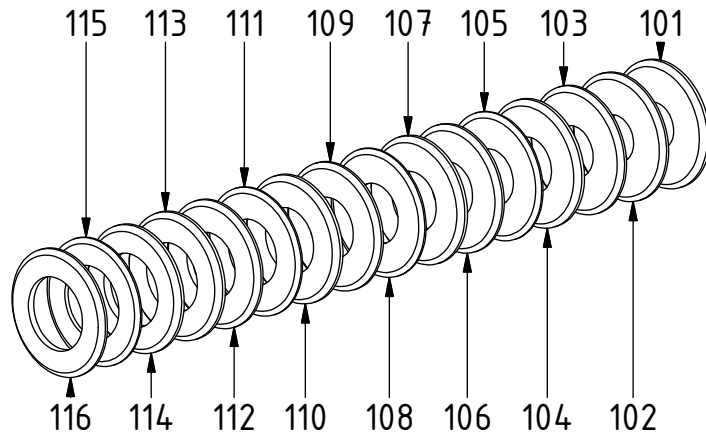
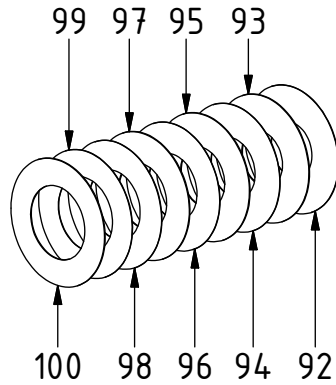


Used until 2024



RELATED SPARE PARTS

SHIMS:



POS	DESCRIPTION	PART	QTY	COMMENTS
92	Shim Ø140/61x0,5	1073126	1	
93	Shim Ø140/61x1,0	1073127	1	
94	Shim Ø140/66x0,5	1071748	1	
95	Shim Ø140/66x1,0	1071749	1	
96	Shim Ø140/72x0,5	1071750	1	
97	Shim Ø140/72x1,0	1071751	1	
98	Shim Ø140/76x0,5	1077380	1	
99	Shim Ø140/81x0,5	1071752	1	
100	Shim Ø140/81x1,0	1071753	1	
101	Shim chamfered Ø140/51x10	1074783	1	
102	Shim chamfered Ø140/51x8	1074781	1	
103	Shim chamfered Ø140/56x8	1074748	1	
104	Shim chamfered Ø140/61x10	1073130	1	
105	Shim chamfered Ø140/61x5	1073128	1	
106	Shim chamfered Ø140/61x8	1073129	1	
107	Shim chamfered Ø140/66x10	1071001	1	
108	Shim chamfered Ø140/66x5	1071773	1	
109	Shim chamfered Ø140/66x8	1071775	1	
110	Shim chamfered Ø140/72x10	1071786	1	
111	Shim chamfered Ø140/72x5	1071782	1	
112	Shim chamfered Ø140/72x8	1071784	1	
113	Shim chamfered Ø140/76x10	1077379	1	
114	Shim chamfered Ø140/81x10	1071790	1	
115	Shim chamfered Ø140/81x5	1071788	1	
116	Shim chamfered Ø140/81x8	1071789	1	

POS in order of assembly