

COVERSHEET

Planned document changes:

Briefly:

2026-01-26. POS.1 replaced by 1082972 from 2026-06.

Document changes:

Date:	Change:	Rev. after change:
2025-03-20	Screw corrected.	A
2025-02-21	New document.	-

Readers note:

Indicates instruction.

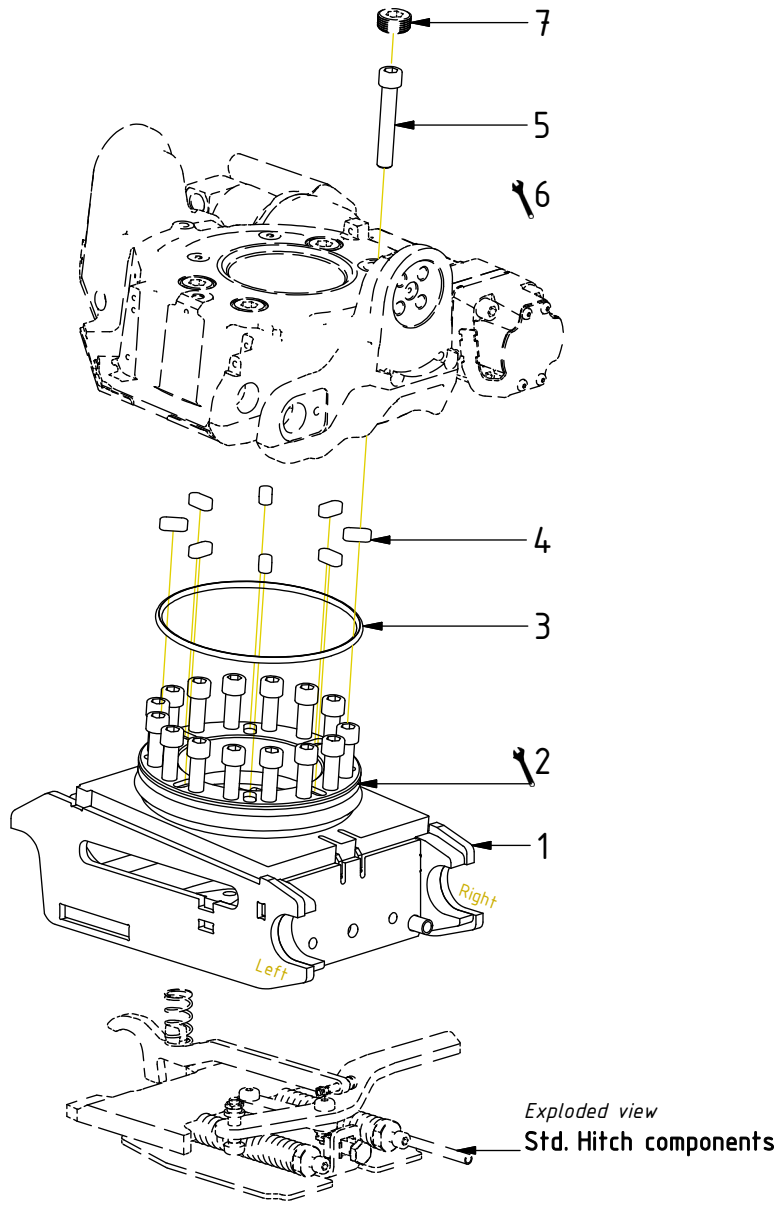


Represents Hose.

Dashed lines for overview, mounts
on other pages/assemblies.

EC204B - Hitch S40SEMI

POS	DESCRIPTION	PART	QTY	COMMENTS
1	Quick hitch S40SEMI EC204BU	1080652	1	
2	Grease the ring			
3	O-ring 155x5,0	7001935	1	
4	Feather key 10x8x22	6000416	8	
5	Screw MC6S M12x70 12.9 ZFSL	611517	16	Torque: 136Nm
6	Torque tighten rotator frame to hitch. Rotate to access all holes			
7	Pipe plug DIN 906 M22x1,5	7000457	4	Part of rotator frame assy.



POS in order of assembly