

GRD40
COVERSHEET

Planned document changes:

Briefly:

2026-06-23. Correct description POS.32: Banjo bolt 4451-02 (1/8").

2025-12-22. New assy: POS.51-52 mounted from beneath, POS.53-54 from above.

Document changes:

Date:	Change:	Rev. after change:
2025-08-28	Cylinder cover replaced. Shim for double arm added.	B
2023-03-30	New lock hasp & spring wire added. Spare parts page added.	A
2023-02-28	New document.	-

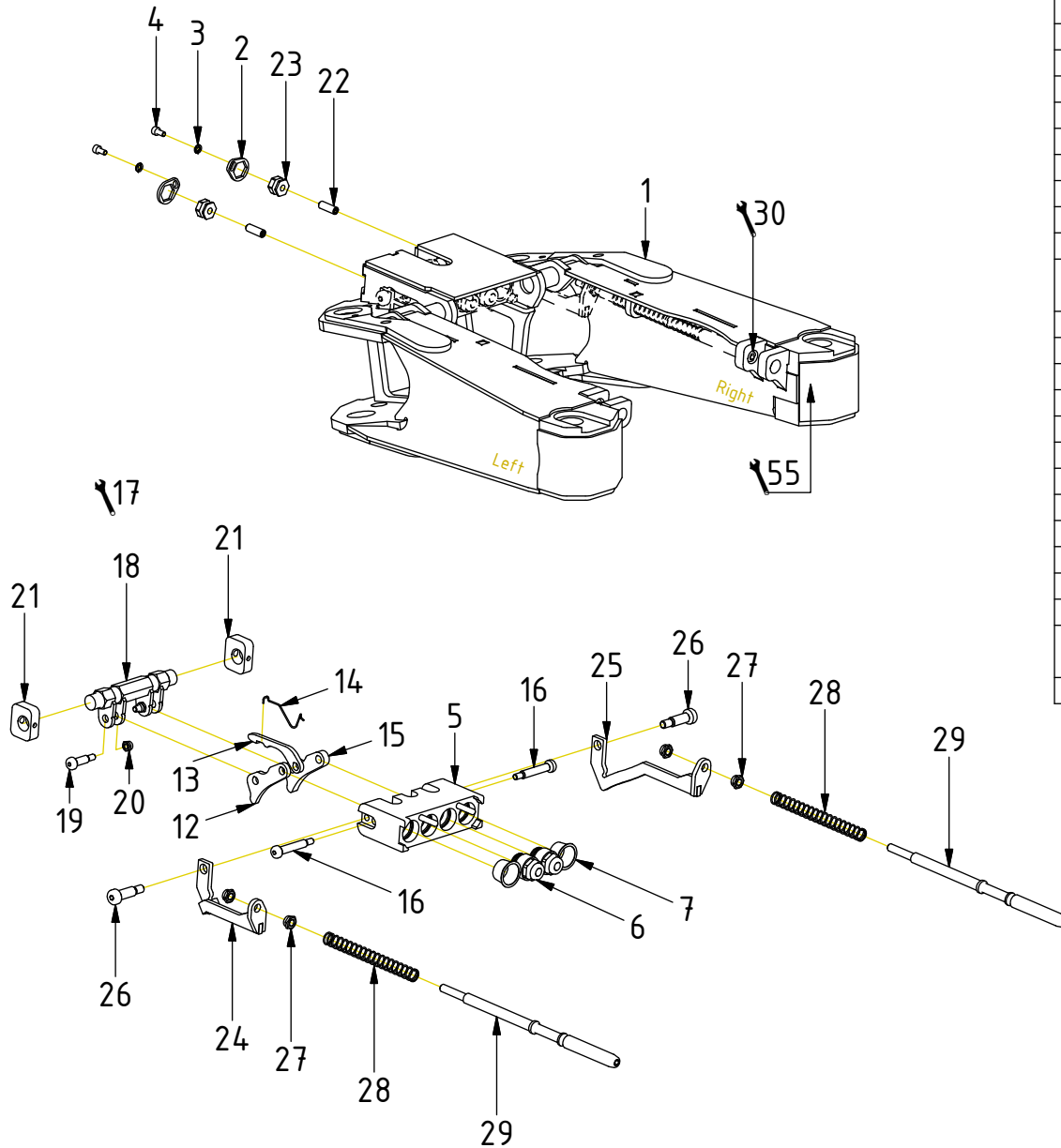
Readers note:

Indicates instruction.



Represents Hose.

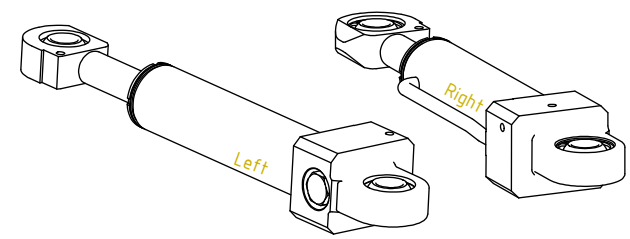
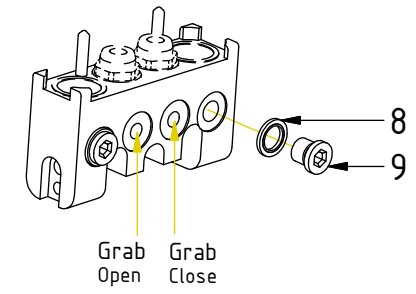
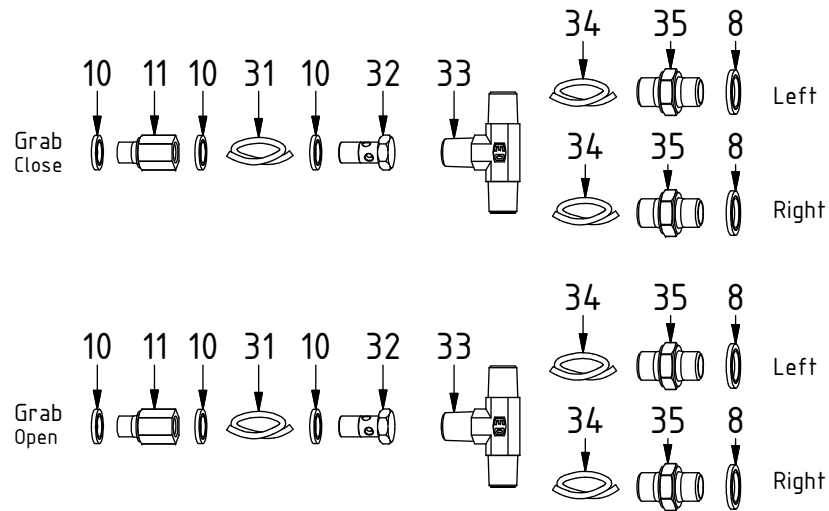
Dashed lines for overview, mounts
on other pages/assemblies.



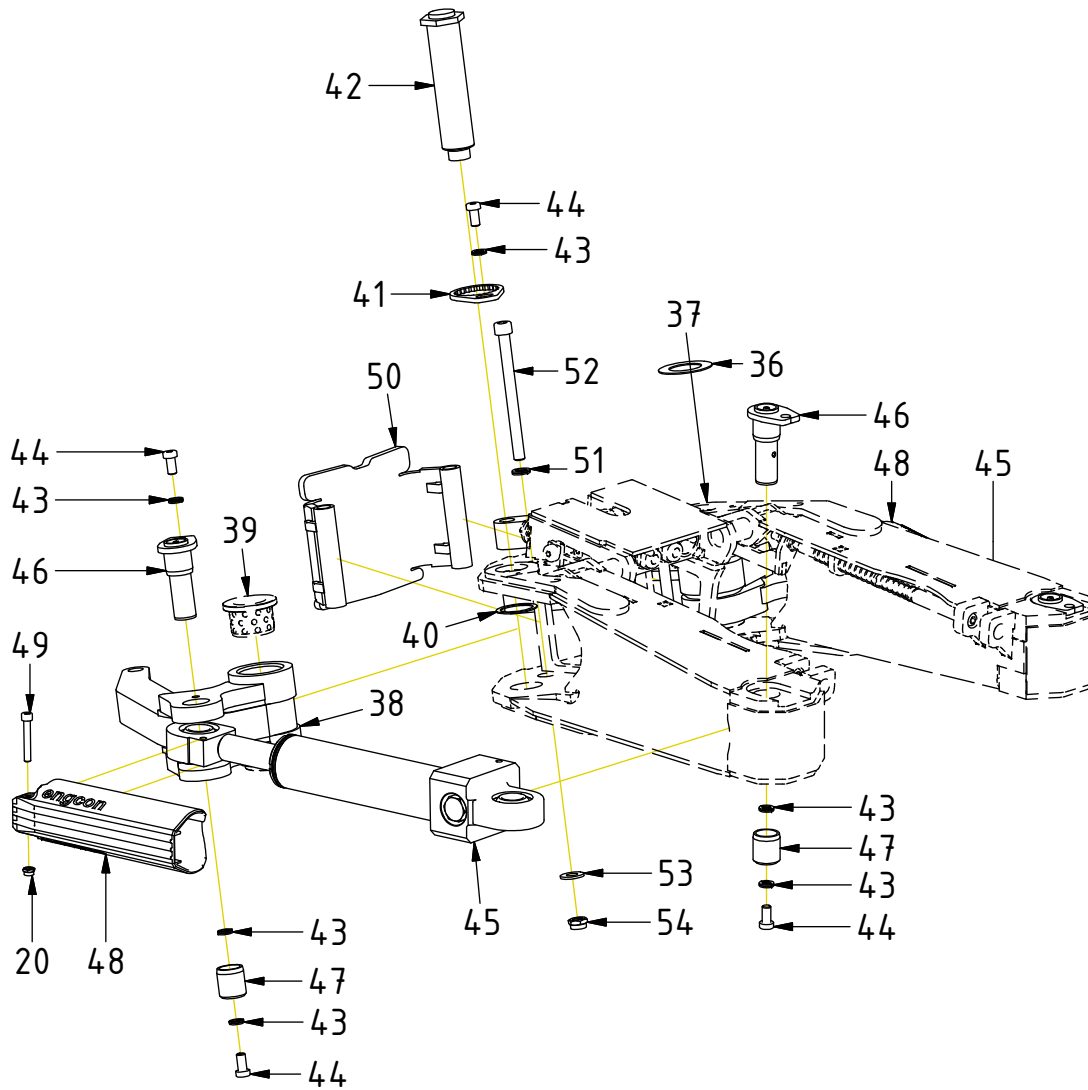
POS	DESCRIPTION	PART	QTY	COMMENTS
1	Grab frame GRD40	1063189	1	
2	Eccenter adjustment lock	1069266	2	
3	Washer NL 5mm	611038	2	
4	Screw MC6S M5x10 12.9	610594	2	
5	Q-block GRD40/SWD40	1063783	1	
6	Coupling ECO 1/4" male	1053693	2	Torque: 60Nm
7	Protection plug ECO40 hydraulic	7001705	2	
12	Link arm thin	1069486	1	
13	Locking hasp	1069487	1	
14	Spring wire	1069471	1	
15	Link arm	1063772	1	
16	Shoulder bolt 8x40 / M6	6000264	2	
17	With Q-block retracted, grooves on eccenter must be facing Q-block			See p.5 for instruction
18	Eccenter GRD40	1063841	1	
19	Shoulder bolt 8x20 / M6	6000367	2	
20	Lock Nut M6M M6x1 8,8 FZB	610921	4	
21	Eccenter holder GRD40	1063860	2	
22	Set screw M8x25 DIN914	6000012	2	Loxeal 83-52
23	Adjustment nut GRD40	1063862	2	
24	Carrier Left GRD40	1063516	1	
25	Carrier Right GRD40	1063518	1	
26	Shoulder bolt 10x25 / M8	611703	2	Loxeal 83-52
27	Lock Nut M6M M8x1,25 8,8 FZB	610922	4	
28	Spring DIN 2098	1038762	2	
29	Lock pin GRD40	1063497	2	
30	With Q-block retracted, lockpin must align with surface			
55	Punch serial no into frame			

POS	DESCRIPTION	PART	QTY	COMMENTS
8	Washer GBR04 1/4	710702	6	
9	Plug 153-04 (1/4")	711505	2	
10	Washer GBR02 1/8	710701	6	
11	Adapter 236-02-02	710129	2	
31	Hose Grab Feed GRD-Q	7001655	2	
32	Banjo bolt 4451-02 (1/2")	710277	2	
33	Adapter 851-04-04	7000883	2	
34	Hose Grab	7001654	4	
35	Adapter 138-04-29 (1/4")	710135	4	

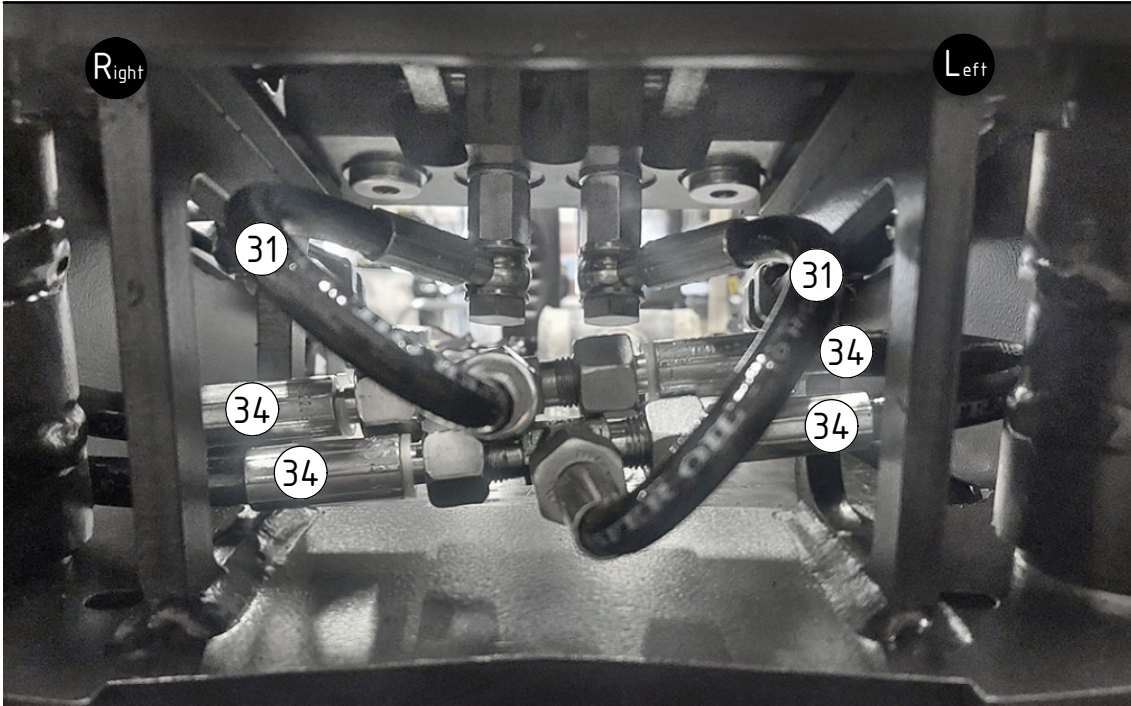
POS in order of assembly



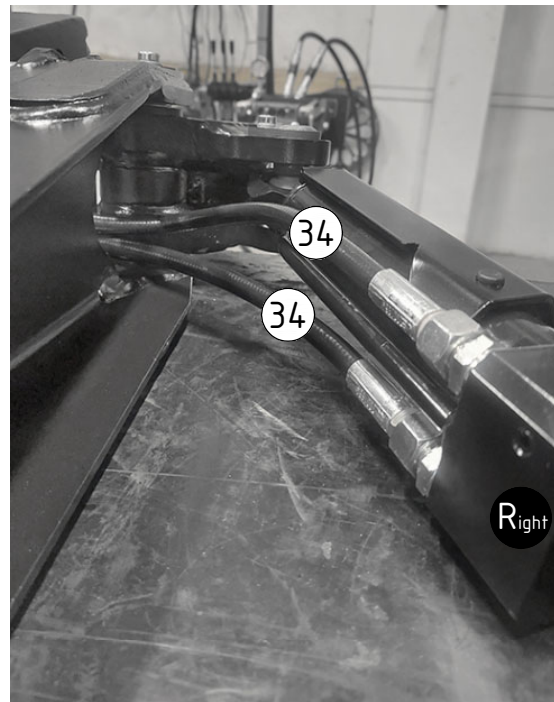
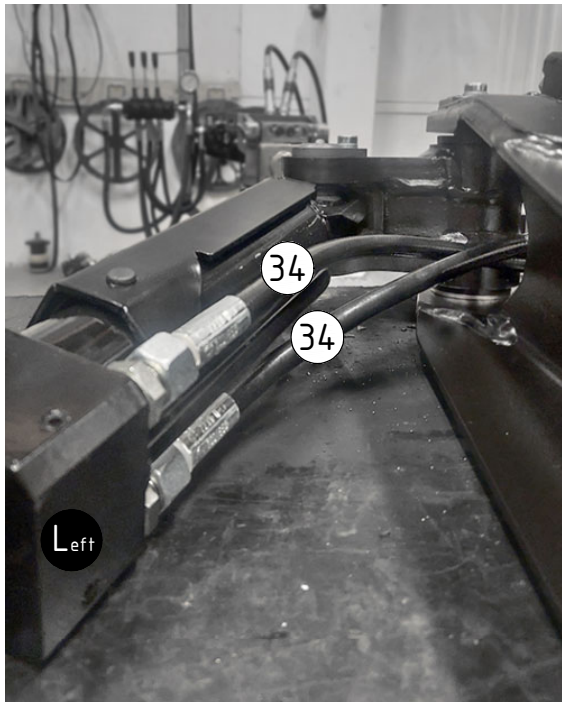
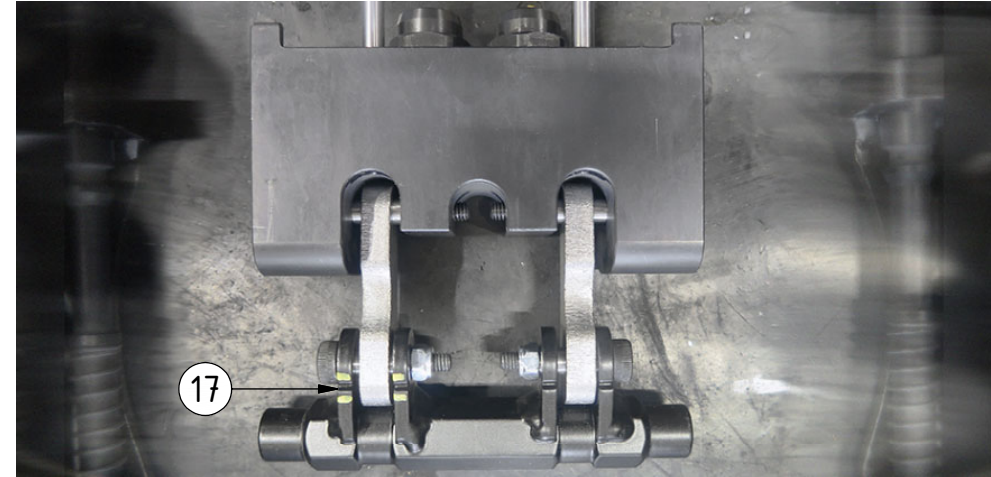
POS in order of assembly



POS	DESCRIPTION	PART	QTY	COMMENTS
20	Lock Nut M6M M6x1 8,8 FZB	610921	4	
36	Shim GRD40 Ø50/Ø30,5	1070920	1	Use below double arm
37	Grab arm GRD40 double	1063429	1	(POS.39 incl.)
38	Grab arm GRD40 single	1063423	1	(POS.39 incl.)
39	Bushing BWG-F 30/4.0/50/5x30	6000335	4	
40	Shim GRD40 38x30,2x1	1066822	2	Use if required (above both arms)
41	Lock plate GRD40	1066825	2	
42	Axle Grab arm GRD40	1066814	2	Loxéal 83-52
43	Washer NL 8mm	611040	12	
44	Screw MLC6S M8x16 10.9 FZB	6000220	8	Loxéal 83-52
45	Grab cylinder GRD40	1063632	2	
46	Axle cylinder GRD40	1063475	4	
47	Socket GRD40	1063479	4	
48	Cylinder cover	1063151	2	
49	Screw MC6S M6x40 12.9	610418	2	
50	Grab support GRD40	1063771	1	
51	Washer NL 10mm	611041	2	
52	Screw MC6S M10x120 12.9	6000025	2	
53	Washer BRB 10,5x22x2 200 HV FZB	611006	2	
54	Lock Nut M6M M10x1,5 8,8 FZB	610923	2	



POS	DESCRIPTION	PART	QTY	COMMENTS
17	With Q-block retracted, grooves on eccentric must be facing Q-block			
31	Hose Grab Feed GRD-Q	7001655	2	
34	Hose Grab	7001654	4	

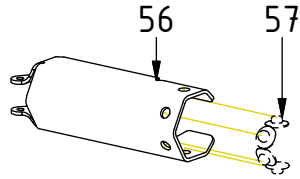


RELATED SPARE PARTS

POS	DESCRIPTION	PART	QTY	COMMENTS
15	Link arm	1063772	1	
48	Cylinder cover	1063151	2	
56	Cylinder cover steel	1063810	2	Replaced by POS.48 from 2025-03
57	Plastic spacer	400635	8	(Incl. in cover)
58	Pressure screw GN615 BN M12	1065745	2	Loxéal 83-52
59	Nut ML6M M12x1,75	6000384	2	

POS in order of assembly

Until 2025-03:



Until 2023-03:

