

COVERSHEET

Planned document changes:

Briefly:

No planned changes.

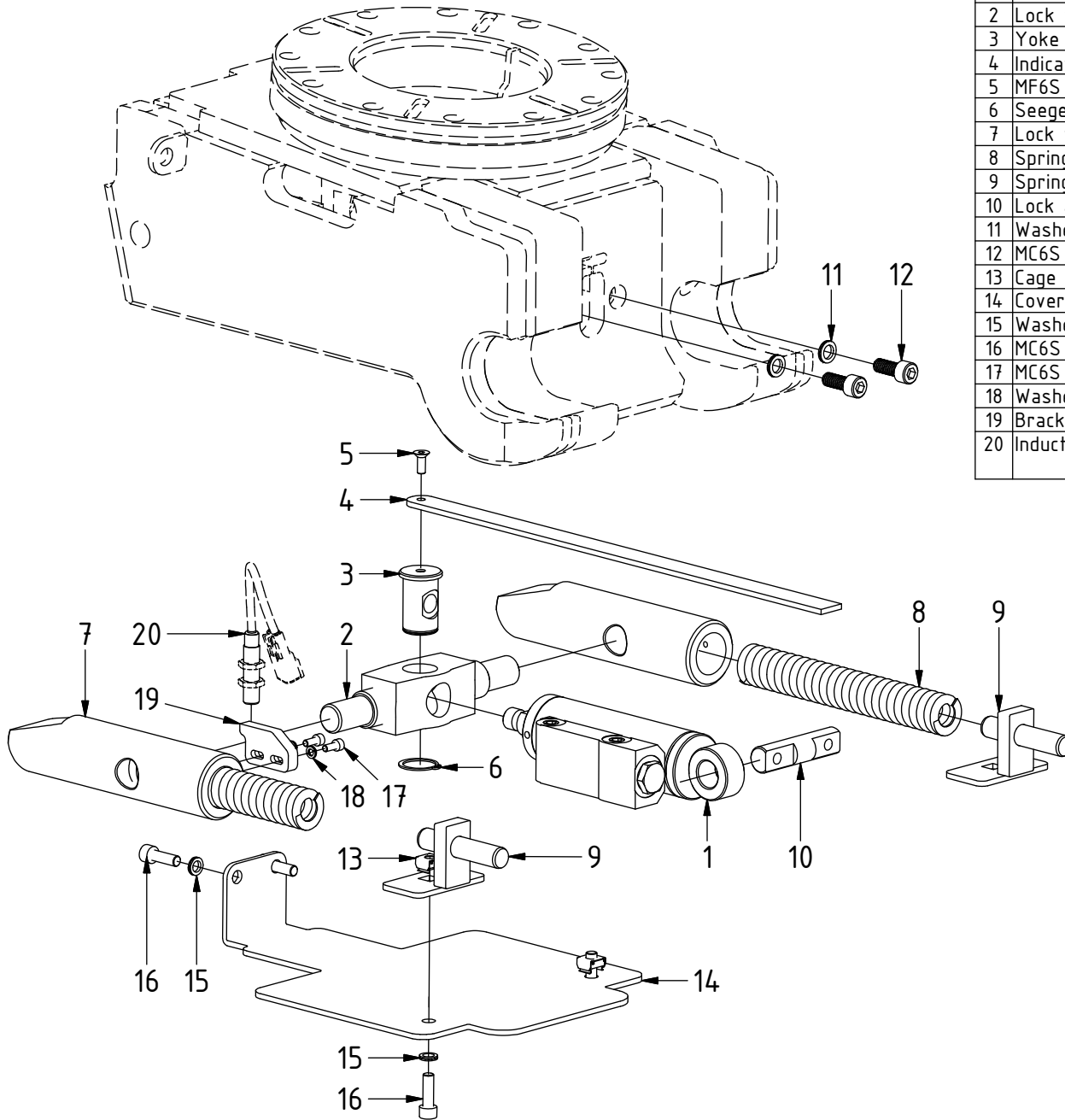
Document changes:

Date:	Change:	Rev. after change:
2021-10-11	HS08ECS added to instruction (HS08EC with sensor).	B
2018-06-21	Layout/irrelevant.	A
2017-03-20	New instruction	-

HS08EC/HS08ECS - Std components

EC209, EC214

POS	DESCRIPTION	PART	QTY	COMMENTS
1	Lock cylinder 10 non-return valve	202735	1	Loctite to POS.3
2	Lock yoke HS08EC	1041603	1	
3	Yoke pin HS08EC	1027596	1	
4	Indicator pin QS (610mm)	1036201	1	Cut to fit
5	MF6S 6x16 10.9	610604	1	
6	Seeger DIN 471 - 26x1,2	6000018	1	
7	Lock wedge HS08EC	1027607	2	
8	Spring	1027659	2	
9	Spring support	1036793	2	
10	Lock axle HS08EC	402537	1	
11	Washer NL10	611041	2	
12	MC6S 10x25 12.9 ZFSHL	6000195	2	
13	Cage Nut M8A	610955	2	
14	Cover plate	1027635	1	
15	Washer NL 8mm	611040	4	
16	MC6S 8x25 12.9 ZFSHL	6000143	4	
17	MC6S M5x12 12.9	6000077	2	For HS08ECS
18	Washer NL 5mm	611038	2	For HS08ECS
19	Bracket indicator HS08ECS	1061830	1	For HS08ECS
20	Inductive sensor HS08ECS	8001316	1	For HS08ECS (Deutsch DTM04-3P & nut included)



POS in order of assembly

HS08EC/HS08ECS - Std components

Sensor

EC209, EC214

POS	DESCRIPTION	PART	QTY	COMMENTS
20	Inductive sensor HS08ECS	8001316	1	For HS08ECS (Deutsch DTM04-3P & nut included)

POS in order of assembly

