

COVERSHEET

Planned document changes:

Briefly:

No planned changes.

Document changes:

Date:	Change:	Rev. after change:
2026-06-25	Included in block corrected.	E
2023-09-08	Hose kit discontinued.	D
2022-10-21	New layout.	C
2020-06-17	Positions on photo corrected.	B
2018-07-16	Coversheet added.	A

Readers note:

Indicates instruction.

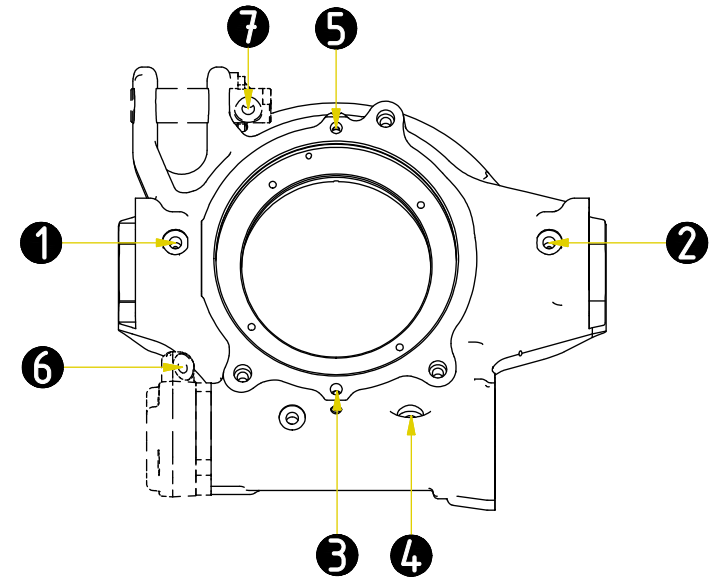
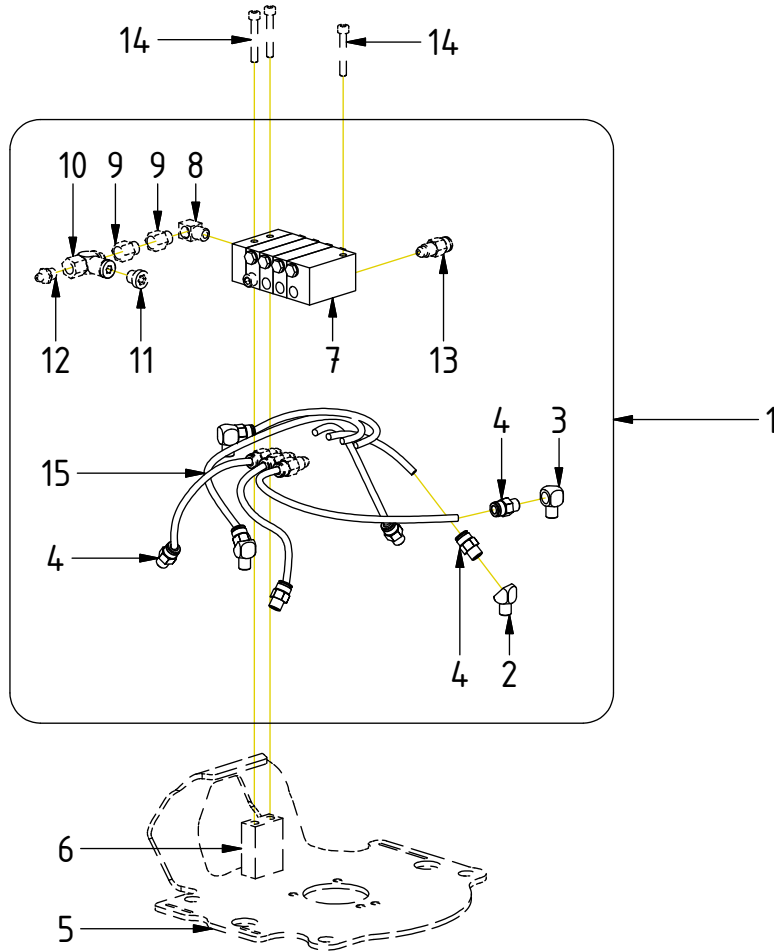


Represents Hose.

Dashed lines for overview, mounts
on other pages/assemblies.

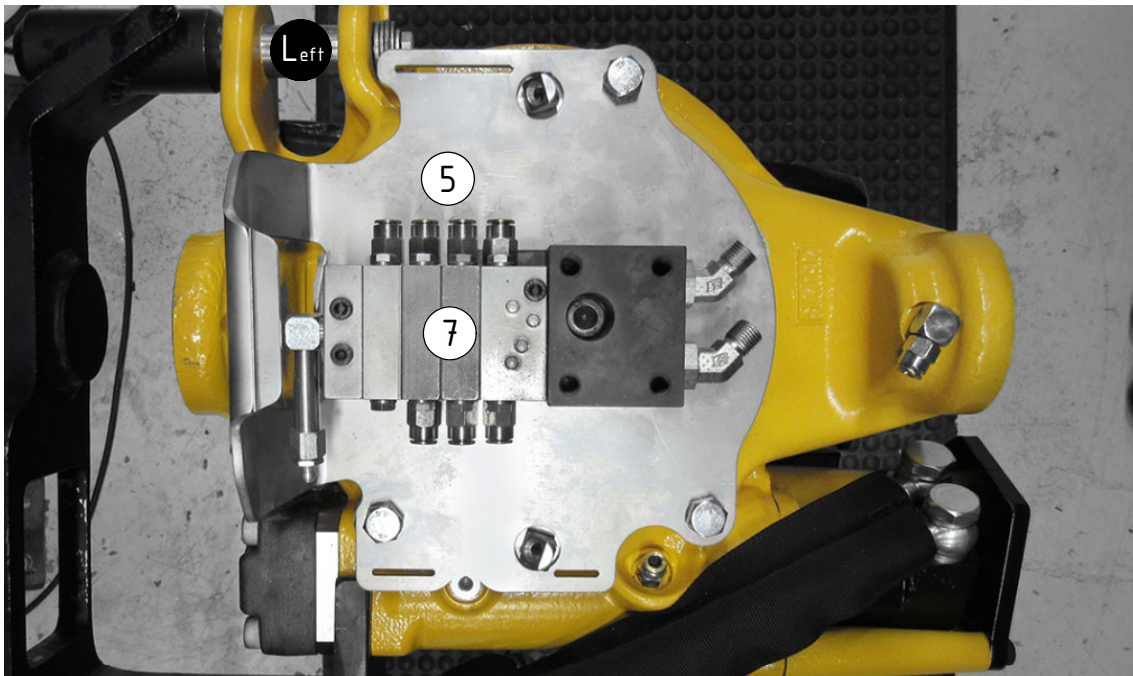
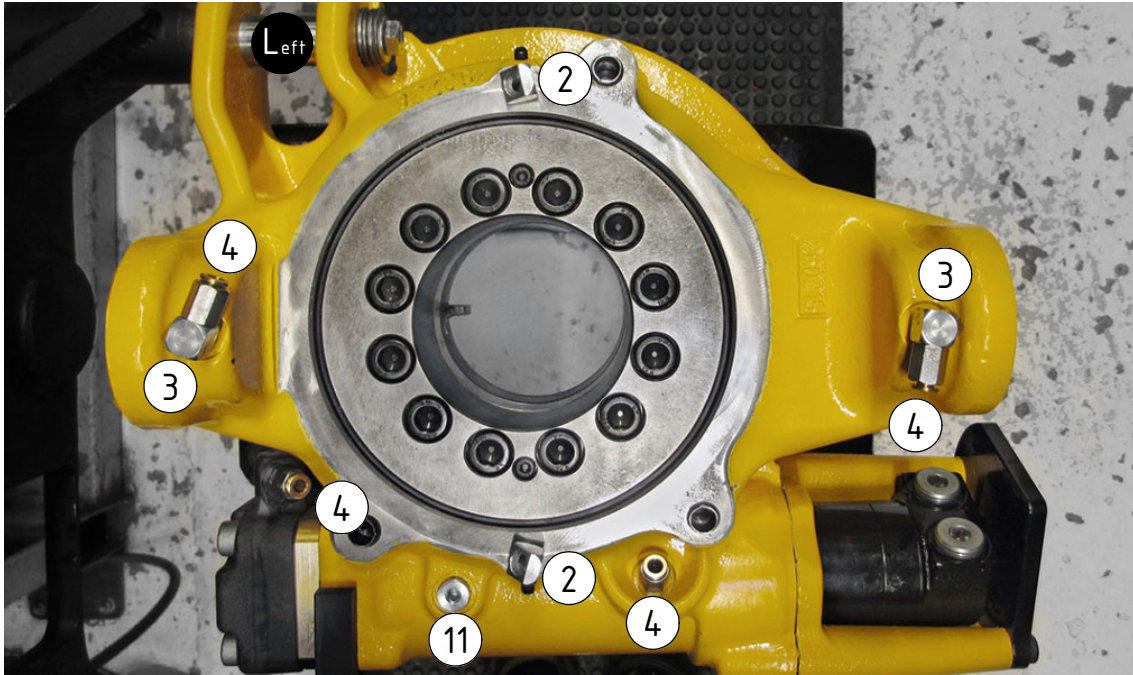
EC204 - Central lubrication

POS	DESCRIPTION	PART	QTY	COMMENTS
1	Lubrication kit EC204 Complete	1032960	1	(POS.2-4, 7, 15 incl.)
2	Adapter 45° R1/8"	712215	2	
3	Adapter 90° R1/8"	710199	2	
4	Push-in coupl R1/8"	790172	7	
5	Valve plate	1031620	1	
6	Mounting block Central lubrication	1031608	1	
7	Dosing block MX-F 4/7 EC204	1033500	1	(POS.8-10, 12-13 incl.)
8	Adapter 90° M10x1	790190	1	
9	Extender M10x1-M10x1 18mm	7001879	2	
10	T-Swivel union - M10x1 with plug	7001870	1	(POS.11 incl.)
11	Plug 70125-02 (1/8")	711503	1	
12	Grease Nipple	711403	1	
13	Push-in coupling 6mm	790188	7	
14	Screw MC6S M5x35 12.9	610404	3	
15	Hose central lubrication bulk	7000784	1	



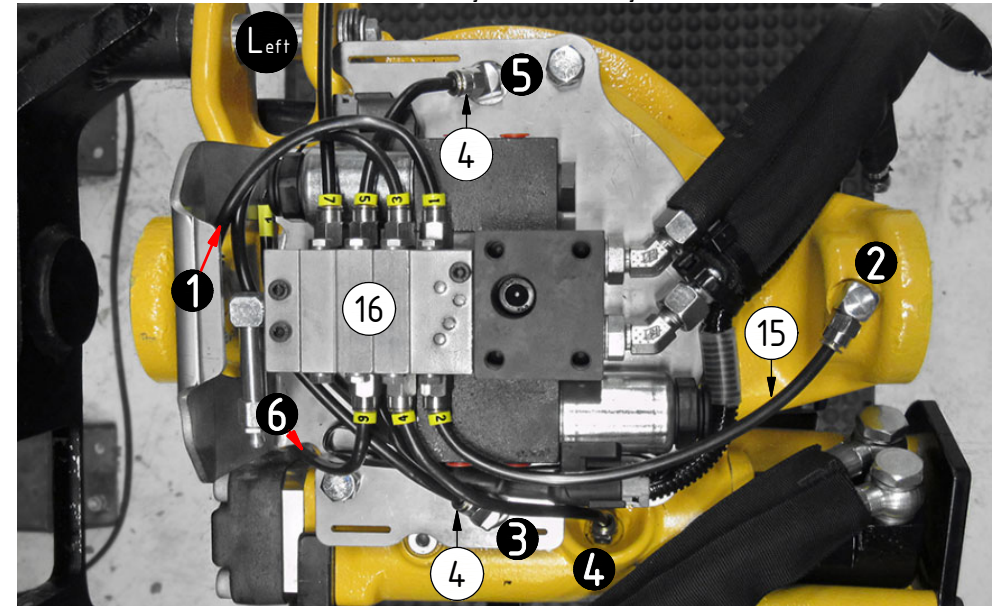
POS in order of assembly

Rotator frame assembly:

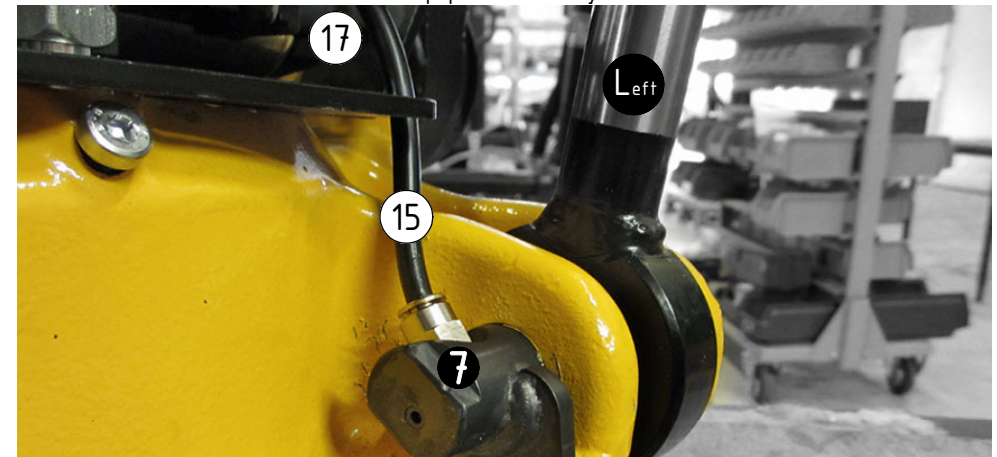


POS	DESCRIPTION	PART	QTY	COMMENTS
2	Adapter 45° R1/8"	712215	2	
3	Adapter 90° R1/8"	710199	2	
4	Push-in coupl R1/8"	790172	7	
5	Valve plate	1031620	1	
7	Dosing block MX-F 4/7 EC204	1033500	1	(POS.8-10, 12-13 incl.)
11	Plug 70125-02 (1/8")	711503	1	
15	Hose central lubrication bulk	7000784	1	
16	Assemble 1-6. (7 only to block)			Part of control system assy.
17	Assemble 7 when cyl. is mounted			Part of top part assy.

Control system assembly:



Top part assembly:



POS in order of assembly