

COVERSHEET

Planned document changes:

Briefly:

2026-06-01. POS.35 will be replaced by 1081111, backwards compatible.

Document changes:

Date:	Change:	Rev. after change:
2025-05-14	ECO hose kit updated.	A
2025-02-06	New document.	-

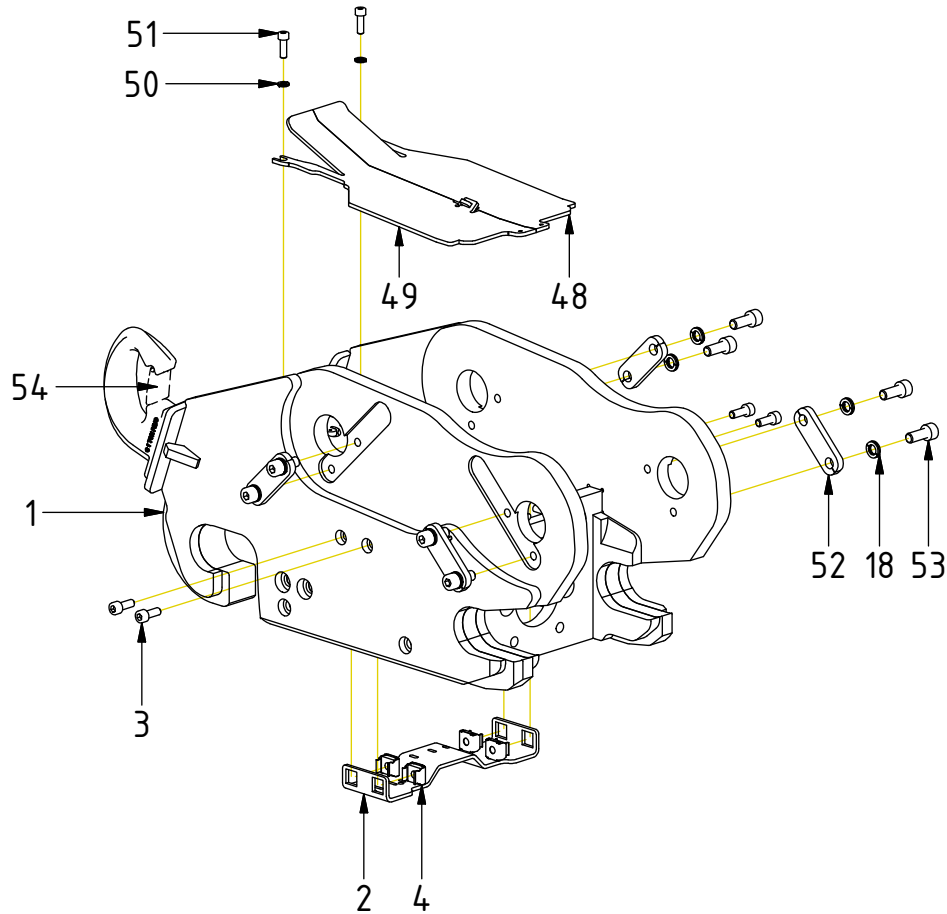
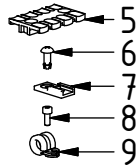
Readers note:

Indicates instruction.



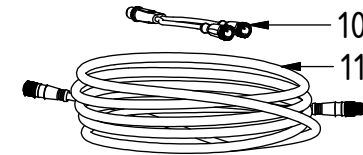
Represents Hose.

Dashed lines for overview, mounts
on other pages/assemblies.



POS	DESCRIPTION	PART	QTY	COMMENTS
1	Machine hitch is selected via engcon			(Machine dependent)
2	Connector plate S40	1078275	1	
3	Screw MC6S M6x16 12.9 ZFSHL	6000017	4	
4	Cage nut M6	6000411	4	
5	Strain relief plate ZL60	8000703	1	
6	Blind rivet 4,0x12,3 DIN7337	6000294	2	QTY: 4 for DC2
7	Holder Deutsch coupling	810662	2	For DC2
8	Screw MC6S M5x12 12.9	6000077	1	QTY: 2 for DC2
9	Rubber steel clamp ø8	6000241	1	QTY: 2 for DC2
10	Y-split M12-8P->2x M12-4S QSM/S	8002139	1	Attach to QS sensors
11	Cable QS-QLM Machine hitch 4,35m	8002249	1	Attach to Y-split
18	Washer NL 8mm	611040	10	QTY: 2 part of Std. Hitch comp.
48	S40 Cover plate Right	1080056	1	
49	S40 Cover Plate Left	1080055	1	
50	Washer NL 5mm	611038	2	
51	Screw MC6S M5x16 8,8 FZB	6000437	2	
52	Lock plate for axles	1073400	4	
53	Screw MC6S M8x20 12.9 ZFSHL	6000157	8	
54	Safety latch	404249	1	Lifting hook spare part

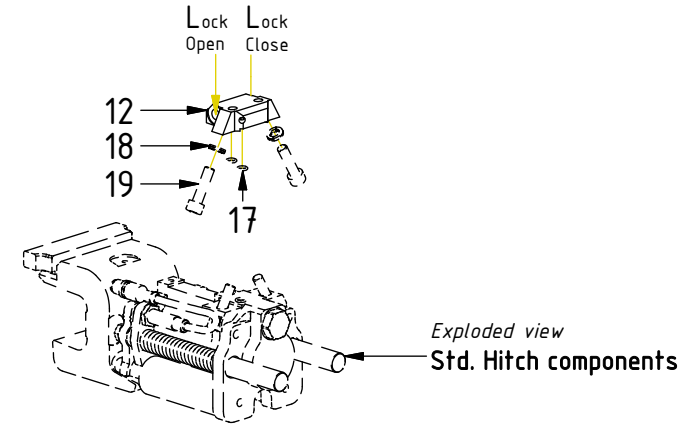
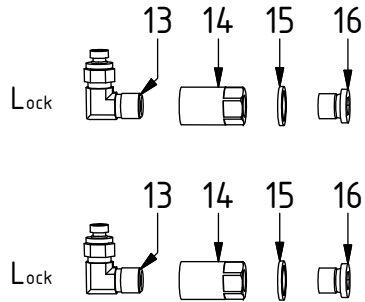
Without EC-Oil:



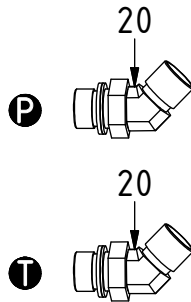
POS in order of assembly

Hydraulics

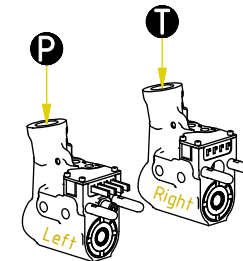
POS	DESCRIPTION	PART	QTY	COMMENTS
12	Lock cylinder adapter S40	1079367	1	
13	Adapter 067005-04-02 (1/4"-1/8")	7002020	2	
14	Lock adapter tube Short	1071217	2	
15	Washer GBR04 1/4	710702	2	
16	Plug 153-04 (1/4")	711505	2	
17	O-ring 5,28x1,78	7001568	2	Part of Std. Hitch components
18	Washer NL 8mm	611040	10	QTY: 2 part of Std. Hitch comp.
19	Screw MC6S M8x30 12.9 ZFSHL	611519	2	Part of Std. Hitch components
20	Adapter 45° 402-08-08(1/2")	7000091	2	



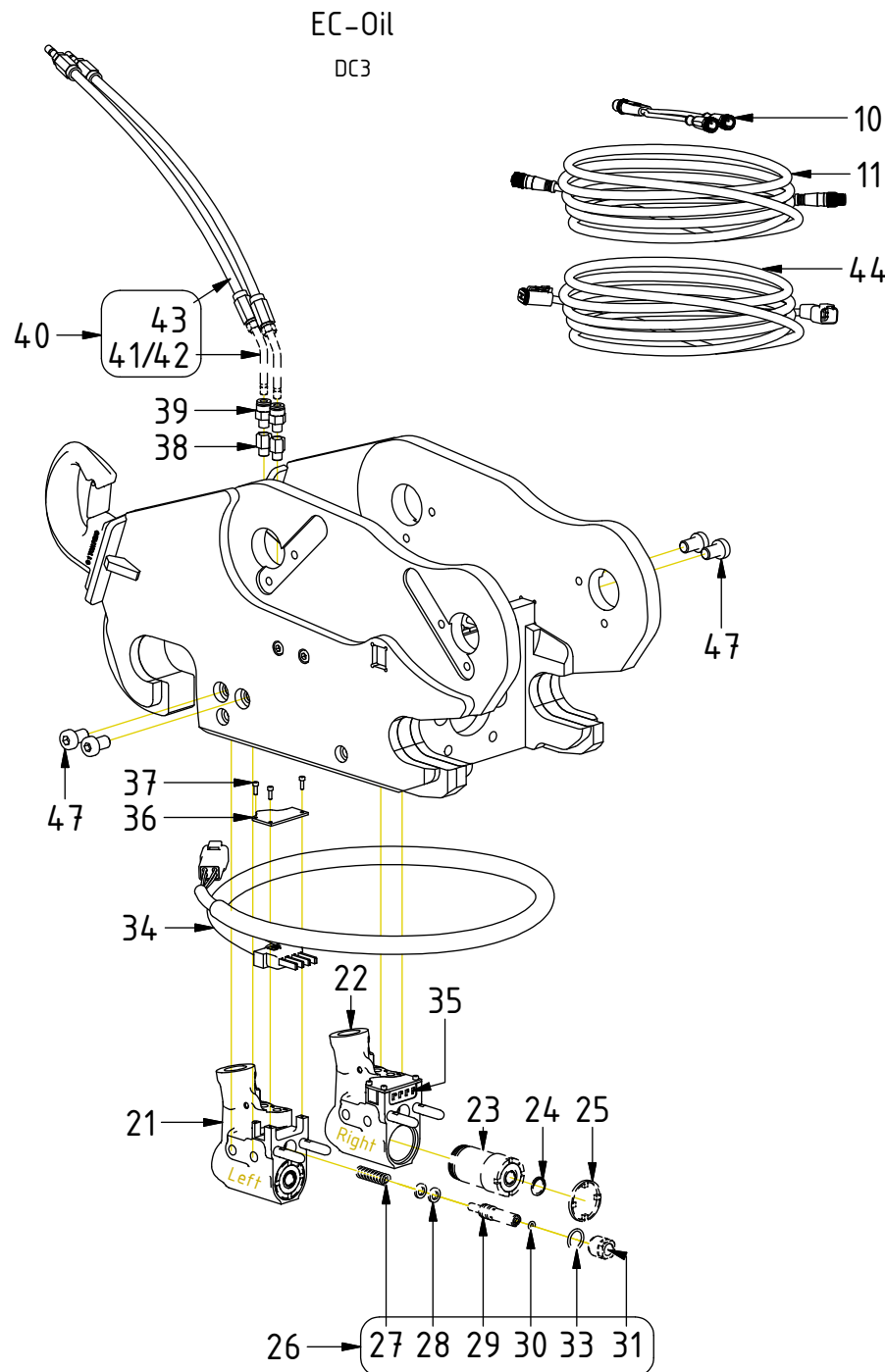
EC-Oil:



EC-Oil:

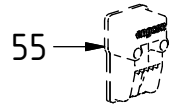


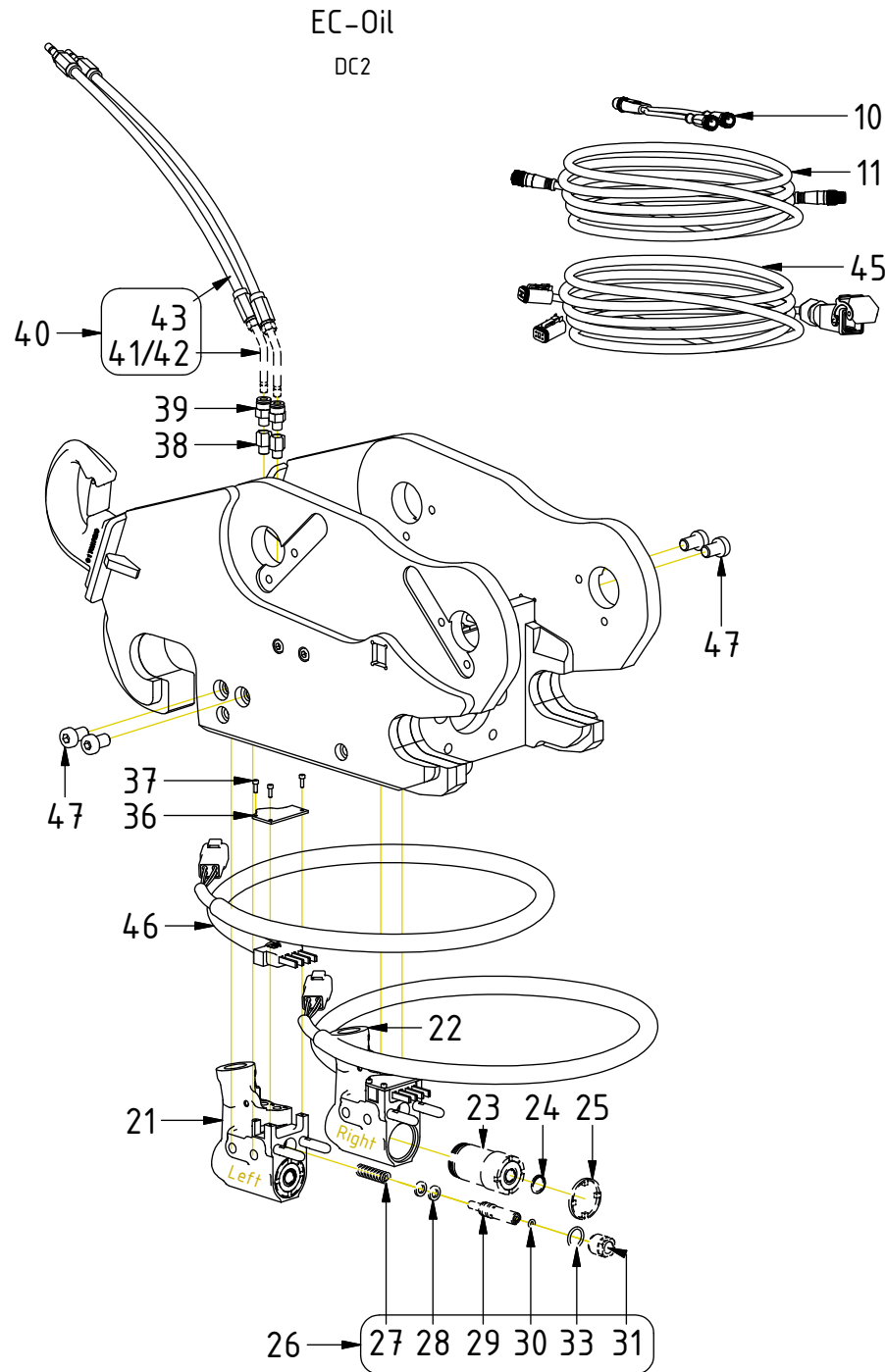
POS in order of assembly



POS	DESCRIPTION	PART	QTY	COMMENTS
10	Y-split M12-8P->2x M12-4S QSM/S	8002139	1	Attach to QS sensors
11	Cable QS-QLM Machine hitch 4,35m	8002249	1	Attach to Y-split
21	Block ECO40 W Hitch 1hy.1cl. Compl.	1078891	1	(POS.23, 25-26 incl.)
22	Block ECO40 W Hitch 1hy. Compl.	1078892	1	(POS.23, 25 incl.)
23	Coupling ECO 3/8" female V3	1053029	2	Torque: 60Nm. (POS.24 incl.)
24	Flat sealing for ECO W 3/8" V3	1052976	2	
25	Dirt protection ECO 3/8"	1028274	2	
26	Lubrication kit ECO W V2	1050794	1	(POS.27-33 incl.)
27	Spring 6058	1024113	1	
28	Piston sealing KPOR130 12x7,1x2,2	1024112	2	
29	Grease piston	1024111	1	
30	O-ring 3,69x1,78	1024115	1	
31	Nut grease piston	1047688	1	Wrap with thread sealing tape
32	O-ring 9,25x1,78	712429	1	Located inside nut
33	O-ring 14x2	7000767	1	
34	Power Plug ECO40 W (4P) DC3	8001892	1	
35	Plug ECO W - Hitch	1057572	1	
36	Coverplate block ECO40 W Hitch	1078257	2	
37	Screw MC6S M2,5x8 8,8 FZB	6000325	6	
38	Extender 18mm M8x1	7000688	2	
39	Adapter straight Push-in - M8x1	790185	2	
40	Hose kit - lubrication ECO40 W	7001531	1	(POS.41-43 incl.)
41	Push-In Tube sleeve 45° 25mm	7002103	2	Depends on the specific hitch model
42	Push-In Tube sleeve straight 20mm	7001521	2	Depends on the specific hitch model
43	Hose 2m - lubricant ECO	7001530	1	
44	Cable ECO W DC3 (4S, 4P)	8002371	1	
47	Screw MLC6S M10x16 10.9 FZB	6000326	4	Torque: 65Nm
55	Transport Protection ECO-Block	1062401	2	Part of make up

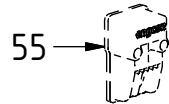
POS in order of assembly





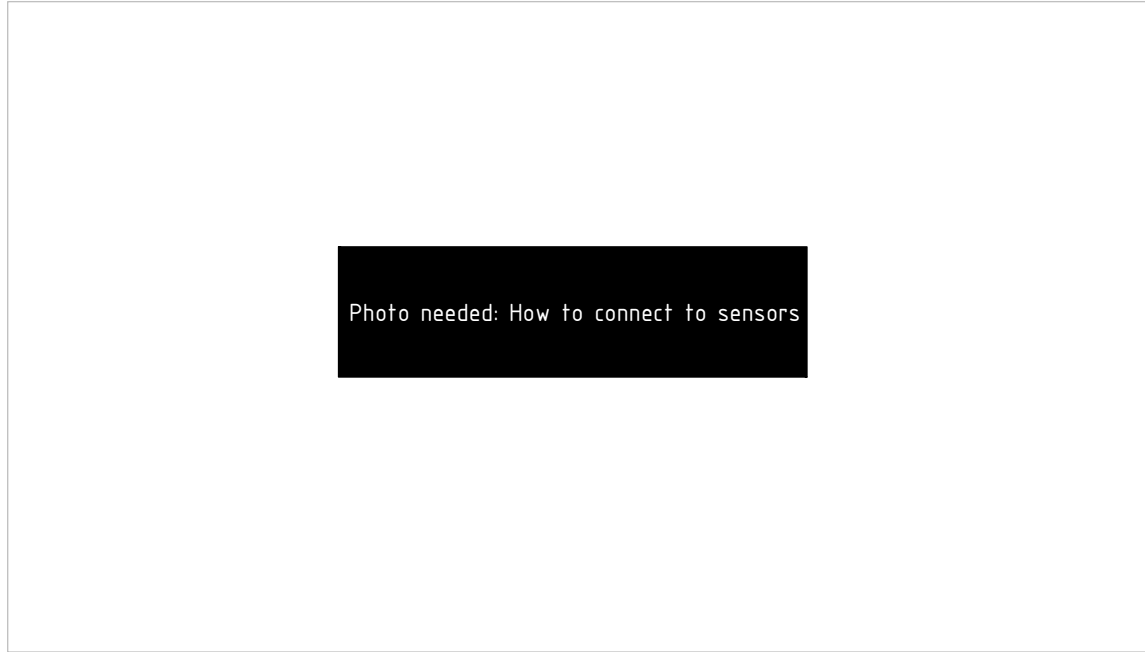
POS	DESCRIPTION	PART	QTY	COMMENTS
10	Y-split M12-8P->2x M12-4S QSM/S	8002139	1	Attach to QS sensors
11	Cable QS-QLM Machine hitch 4,35m	8002249	1	Attach to Y-split
21	Block ECO40 W Hitch 1hy.1cl. Compl.	1078891	1	(POS.23, 25-26 incl.)
22	Block ECO40 W Hitch 1hy. Compl.	1078892	1	(POS.23, 25 incl.)
23	Coupling ECO 3/8" female V3	1053029	2	Torque: 60Nm. (POS.24 incl.)
24	Flat sealing for ECO W 3/8" V3	1052976	2	
25	Dirt protection ECO 3/8"	1028274	2	
26	Lubrication kit ECO W V2	1050794	1	(POS.27-33 incl.)
27	Spring 6058	1024113	1	
28	Piston sealing KPOR130 12x7,1x2,2	1024112	2	
29	Grease piston	1024111	1	
30	O-ring 3,69x1,78	1024115	1	
31	Nut grease piston	1047688	1	Wrap with thread sealing tape
32	O-ring 9,25x1,78	712429	1	Located inside nut
33	O-ring 14x2	7000767	1	
36	Coverplate block ECO40 W Hitch	1078257	2	
37	Screw MC6S M2,5x8 8,8 FZB	6000325	6	
38	Extender 18mm M8x1	7000688	2	
39	Adapter straight Push-in - M8x1	790185	2	
40	Hose kit - lubrication ECO40 W	7001531	1	(POS.41-43 incl.)
41	Push-In Tube sleeve 45° 25mm	7002103	2	Depends on the specific hitch model
42	Push-In Tube sleeve straight 20mm	7001521	2	Depends on the specific hitch model
43	Hose 2m - lubricant ECO	7001530	1	
45	Machine cable ECO40 W DC2	8002522	1	Attach to both 4P
46	Power Plug ECO40 W (4P) DC2	8002521	2	
47	Screw MLC6S M10x16 10.9 FZB	6000326	4	Torque: 65Nm
55	Transport Protection ECO-Block	1062401	2	Part of make up

POS in order of assembly



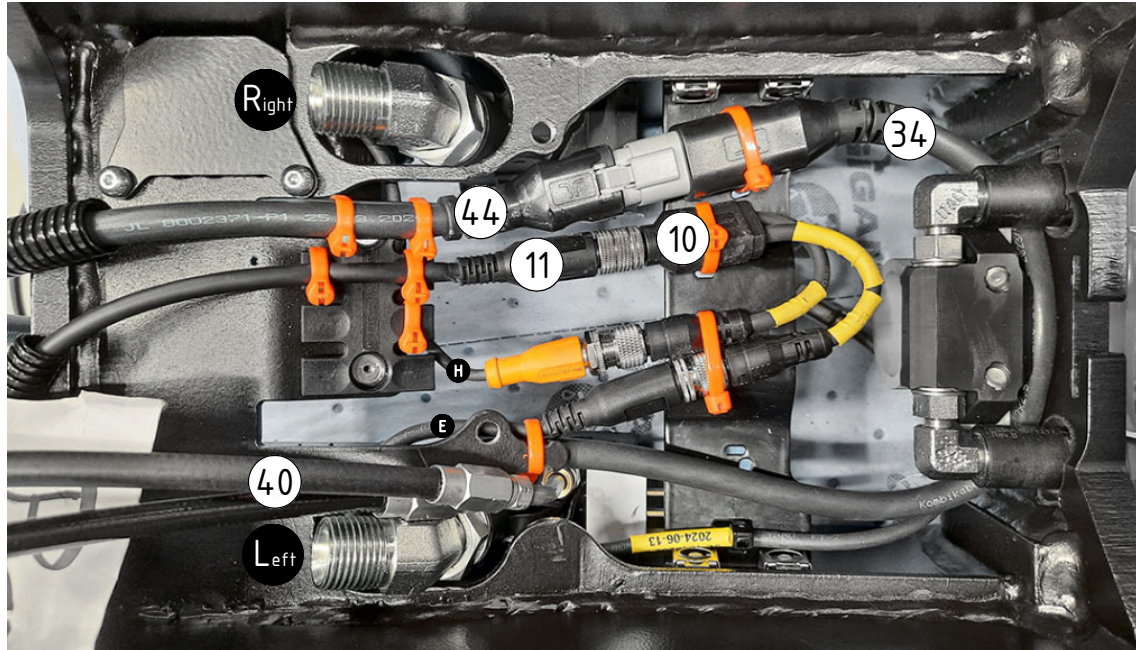
Without EC-Oil

POS	DESCRIPTION	PART	QTY	COMMENTS
-----	-------------	------	-----	----------

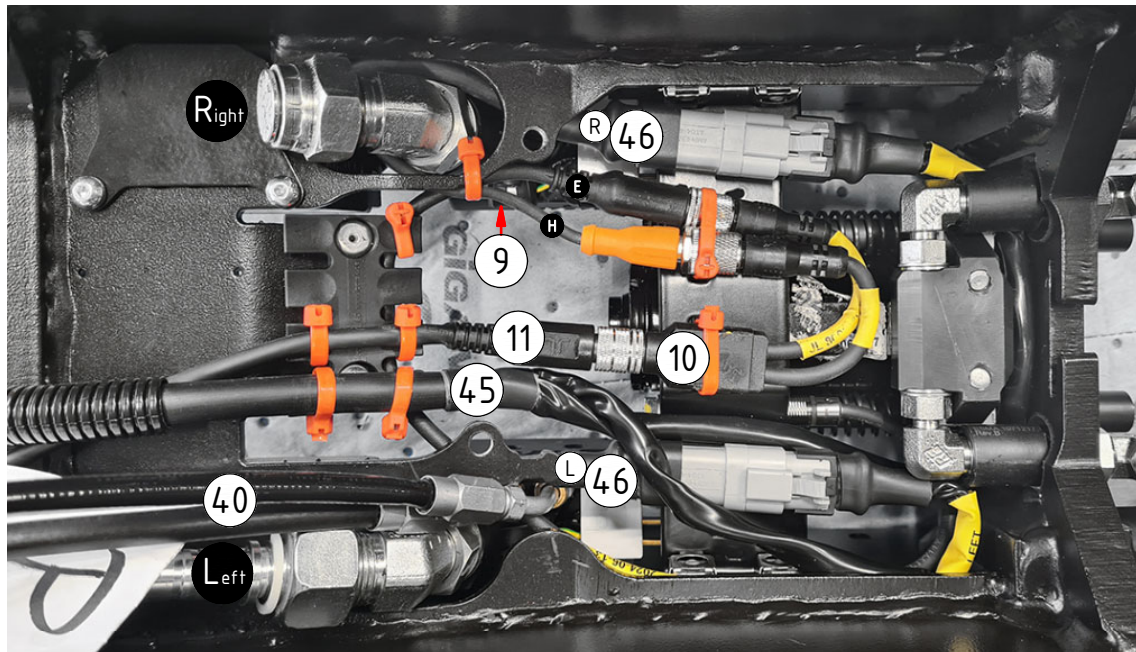


POS in order of assembly

EC-Oil
DC3



DC2

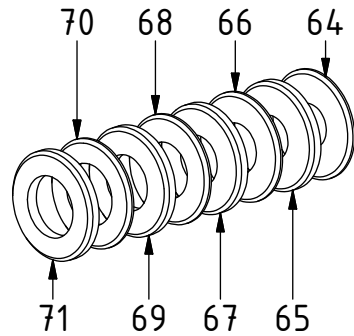
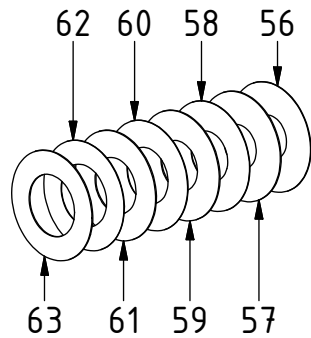


POS	DESCRIPTION	PART	QTY	COMMENTS
9	Rubber steel clamp ø8	6000241	1	QTY: 2 for DC2
10	Y-split M12-8P->2x M12-4S QSM/S	8002139	1	Attach to QS sensors
11	Cable QS-QLM Machine hitch 4,35m	8002249	1	Attach to Y-split
34	Power Plug ECO40 W (4P) DC3	8001892	1	
40	Hose kit - lubrication ECO40 W	7001531	1	(POS.41-43 incl.)
44	Cable ECO W DC3 (4S, 4P)	8002371	1	
45	Machine cable ECO40 W DC2	8002522	1	Attach to both 4P
46	Power Plug ECO40 W (4P) DC2	8002521	2	
●	Use cable ties			

POS in order of assembly

RELATED SPARE PARTS

SHIMS:



POS	DESCRIPTION	PART	QTY	COMMENTS
56	Shim 90/36 0,5	1080574	1	
57	Shim 90/36 1	1080575	1	
58	Shim 90/41 0,5	1079619	1	
59	Shim 90/41 1	1079620	1	
60	Shim Ø90/46 0,5	1080576	1	
61	Shim Ø90/46 1	1080577	1	
62	Shim Ø90/51 0,5	1080578	1	
63	Shim Ø90/51 1	1080579	1	
64	Shim 90/36 5	1080580	1	
65	Shim 90/36 10	1080581	1	
66	Shim 90/41 5	1079614	1	
67	Shim 90/41 10	1079615	1	
68	Shim 90/46 5	1080582	1	
69	Shim 90/46 10	1080583	1	
70	Shim 90/51 5	1080584	1	
71	Shim 90/51 10	1080585	1	

POS in order of assembly