

## COVERSHEET

## Planned document changes:

**Briefly:**

No planned changes.

## Document changes:

Date:	Change:	Rev. after change:
2026-06-04	Cover plate added for RF.	C
2026-02-27	Screws updated to ZFSHL.	B
2024-11-12	Missing shoulder screw added.	A
2024-09-25	New document.	-

*Readers note:*

Indicates instruction.

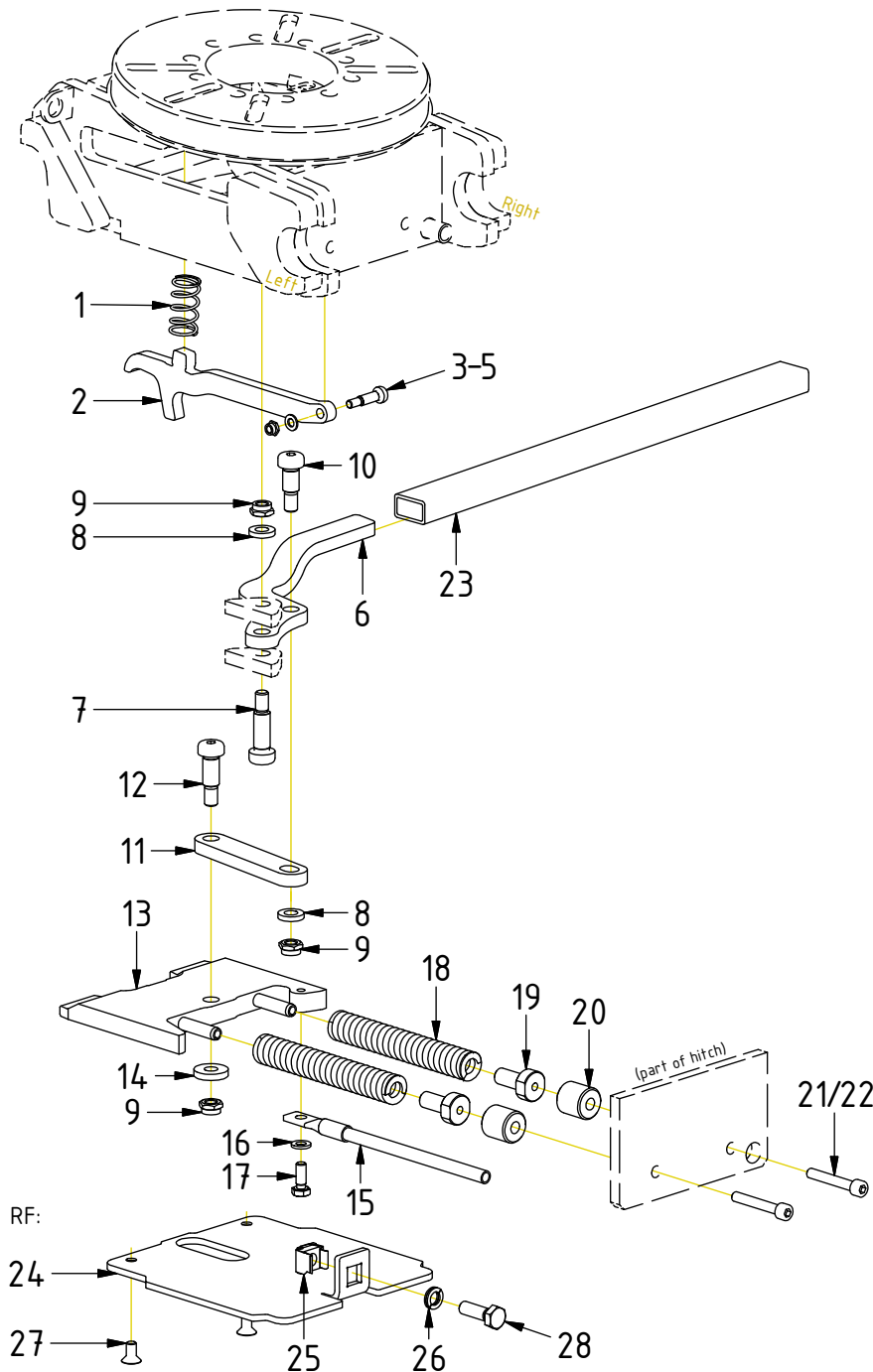


Represents Hose.

Dashed lines for overview, mounts  
on other pages/assemblies.

# Std. Hitch components - S30SEMI

EC102/EC02BU, EC02U, RFS30M



POS	DESCRIPTION	PART	QTY	COMMENTS
1	Pressure spring 17,6x34	640110	1	
2	Lock catch S30	202959	1	
3	Shoulder bolt 6x16/M5	611704	1	
4	Washer BRB 5,3x10x1 200 HV FZB	611003	1	
5	Lock Nut M6M M5x0,8 8,8 FZB	610920	1	
6	Arm S30 (as of 0606)	202960	1	
7	Shoulder bolt 10x25/M8	611703	1	
8	Washer TBRB FZB 8,4x16x3	611013	2	
9	Lock Nut M6M M8x1,25 8,8 FZB	610922	3	
10	Shoulder bolt 10x16/M8	611701	1	
11	Link S30/S40	405075	1	
12	Shoulder bolt 10x20/M8	611702	1	
13	Lock wedge S30 flat	202763	1	
14	Washer BRB 8,4x21x4 100 HV FZB	611015	1	
15	Indicator pin S30/S40	303406	1	Cut to fit
16	Washer BRB 6,4x12x1,6 200 HV FZB	611004	1	
17	Screw M6S M6x16 10.9 untreated	610109	1	Loxreal 83-52
18	Spring 20x115	640113	2	
19	Spring retainer S30	405349	2	
20	Spacer sleeve Ø20/7,5 L20	405641	2	
21	Screw MC6S M6x40 12.9	610418	2	Used with spacer Loxreal 83-52
22	Screw MC6S M6x16 12.9 ZFSHL	6000017	2	Used without spacer Loxreal 83-52
23	Lever S30	303424	1	
24	Cover plate	1085068	1	For RF from 2026-06
25	Cage Nut M8 C	610959	1	For RF from 2026-06
26	Washer NL 8mm	611040	1	For RF from 2026-06
27	Screw MF6S M6x12 10.9 FZB	6000089	2	For RF from 2026-06
28	Screw M6S M8x25 8,8 FZB	610124	1	For RF from 2026-06

POS in order of assembly