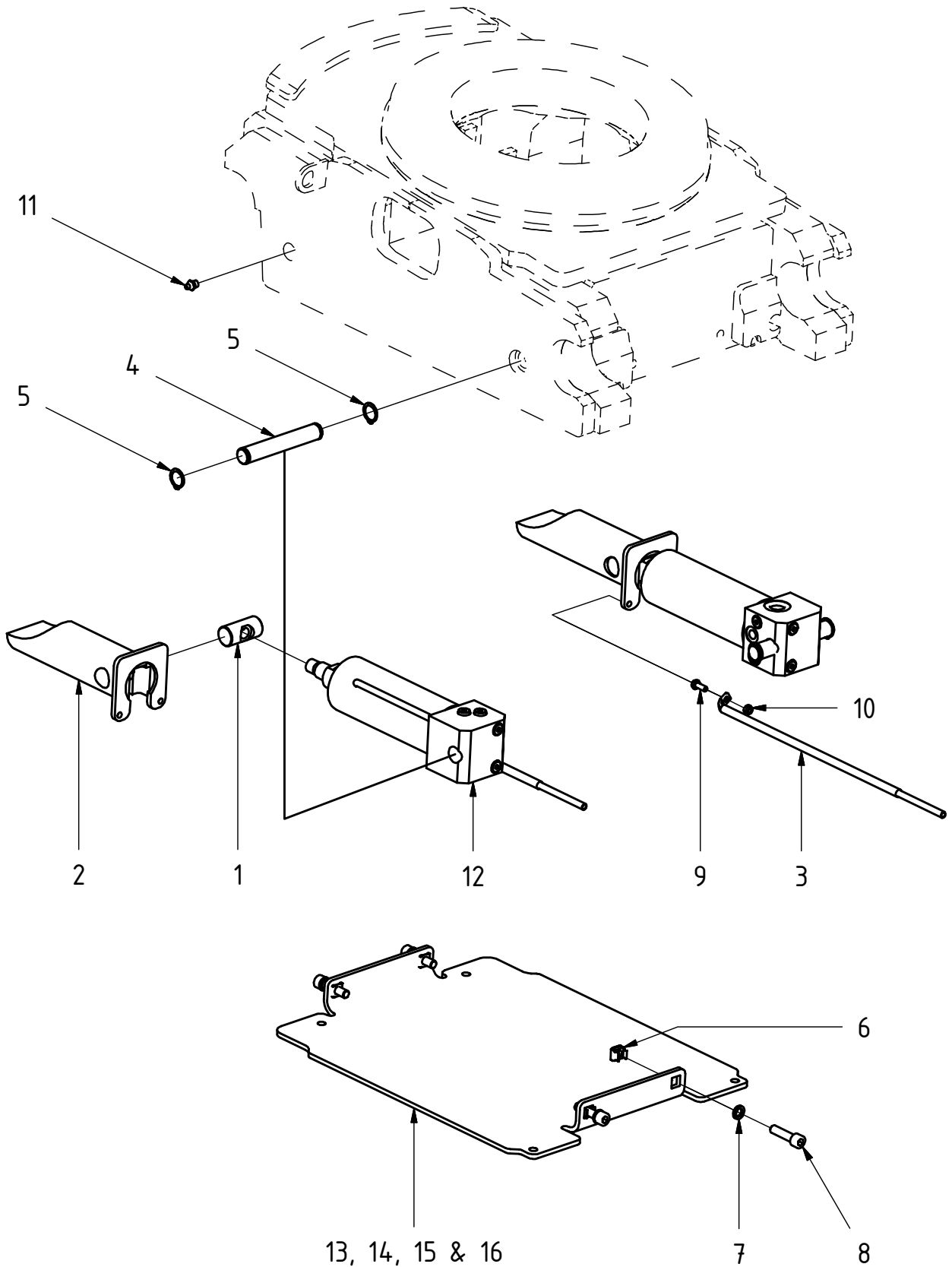


# S70 - Std Components

Published: 2014-07-21

Drawing No: 1026432/-

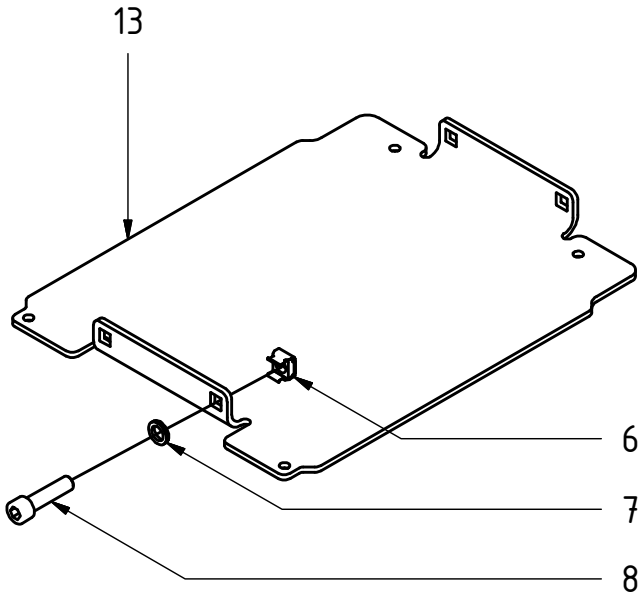


S70 - Std Components

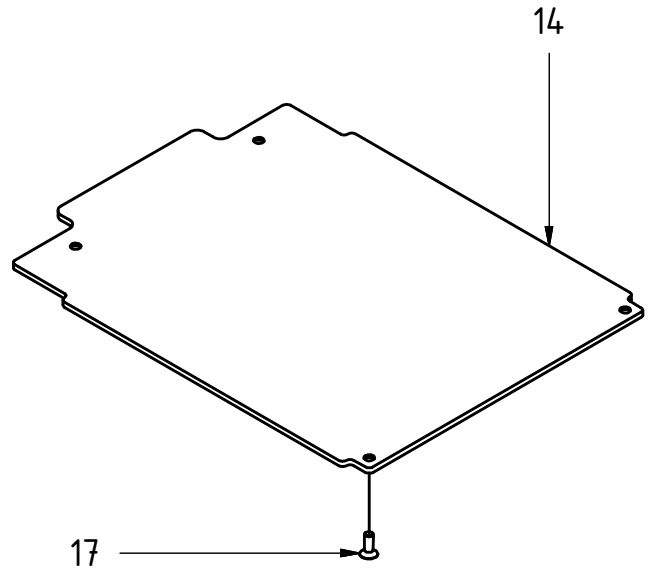
Published: 2014-07-21

Drawing No: 1026432/-

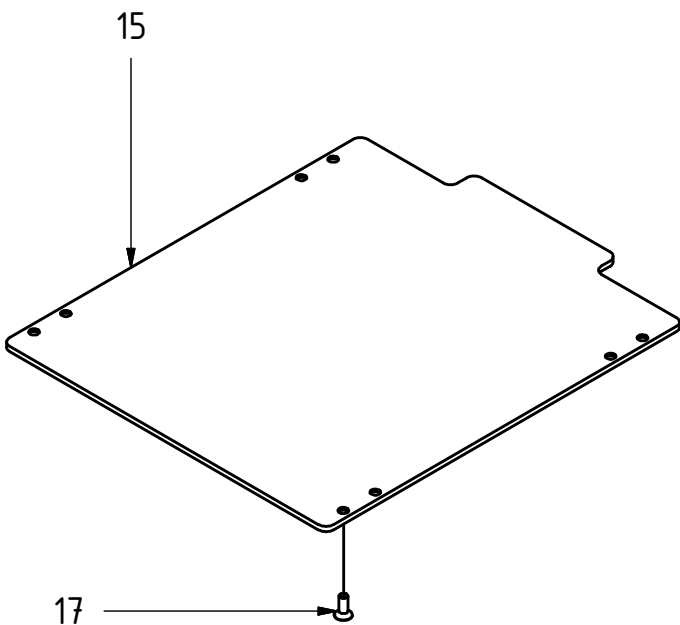
Version 4  
from 2008-05



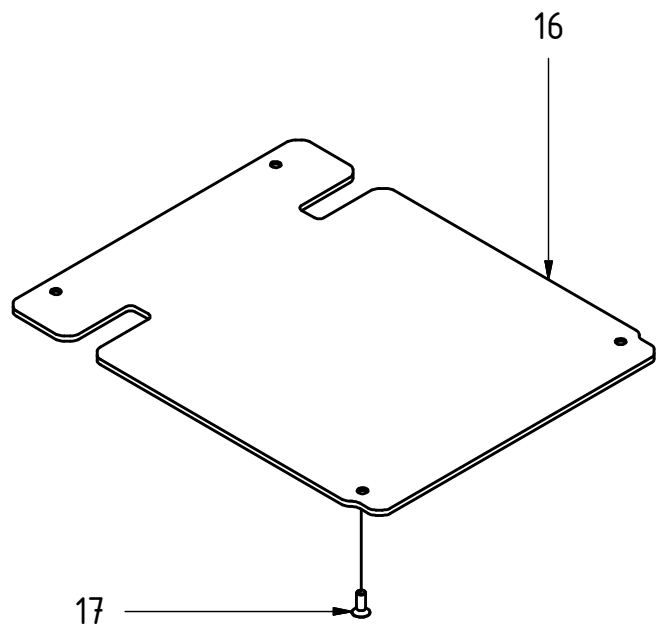
Version 3  
from 2007-04



Version 2  
from 2004-03



Version 1



**S70 - Std Components**

Published:2014-07-21				Drawing No:1026432/-	
POS	DESCRIPTION	PART	QTY	COMMENTS	
1	Locking Nuts	402894	2		
2	Lockwedge	201206	2		
3	Indicator Pin	400911	2		
4	Shaft KM09	400923	2		
5	Circlips	640201	4		
6	Crage Nut M10 C	610957	4		
7	Nordlock washer 10	611041	4		
8	Socket Head Screw 10 x 40	610453	4		
9	Hex Head Screw 6 x 16	610109	2		
10	Hex. Nut M6 Nylon Lock	610921	2		
11	Grease Nipple	7114.03	2		
12	Locking Cylinder w. Sterlingvalve & Spring	1014515	2		
13	Cover Plate Bent v4	1003069	1	From 2008-05	
14	Cover Plate v3	1000618	1	From 2007-04	
15	Cover Plate v2	201205	1	From 2004-03	
16	Cover Plate v1	200430	1		
17	Screw MF6S 10x20	610633	4	For Cover Plate v3, v2-(QTY:8) & v1	