

COVERSHEET

Planned document changes:

Briefly:

No planned changes.

Document changes:

Date:

Change:

Rev.

after change:

2024-11-20

New document.

-

Readers note:



Indicates instruction.



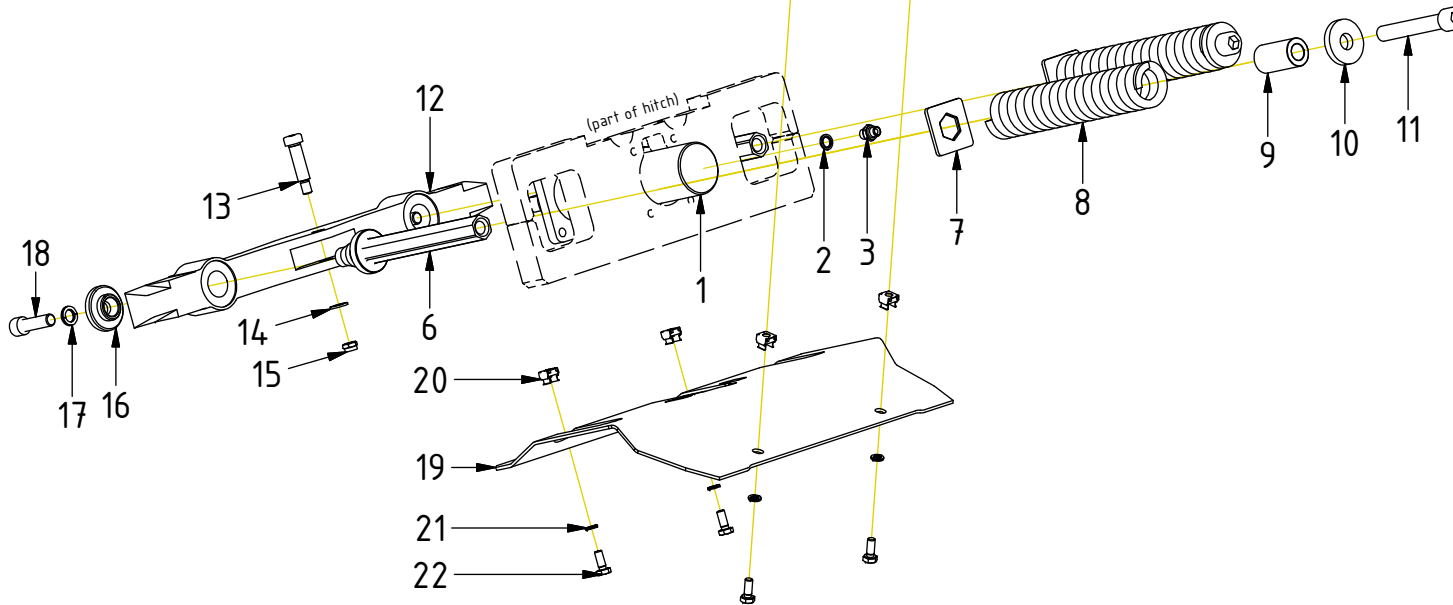
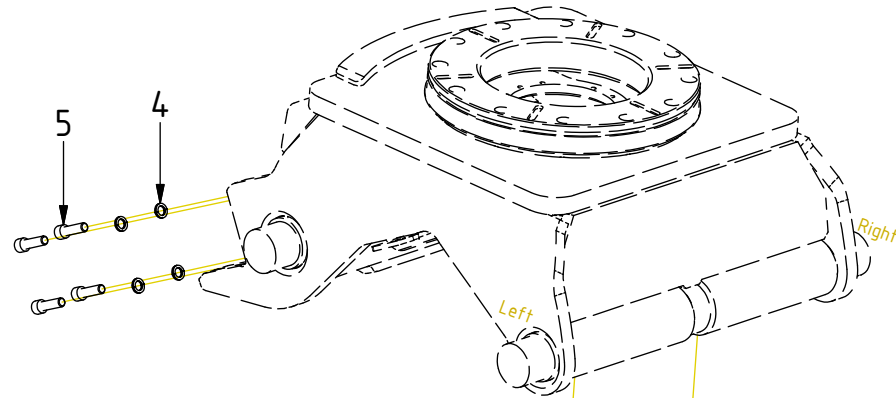
Represents Hose.

Dashed lines for overview, mounts
on other pages/assemblies.

Std. Hitch components - CW30/CW40 QSM

EC214, EC219, EC226, EC233

POS	DESCRIPTION	PART	QTY	COMMENTS
1	Lock cylinder CW30/40 VB	303510	1	Notice pipe placement for hitch front
2	Washer GBR04 1/4	710702	2	
3	Adapter 138-04-29 (1/4")	710135	2	
4	Washer NL 12mm	611042	4	
5	Screw MC6S M12x40 12.9 ZFSHL	6000141	4	
6	Wedge Holder	1001847	2	
7	Square Washer	1001846	2	
8	Spring 63/38x305 VB	640117	2	
9	Spacer	1001845	2	
10	Spring Washer	1001844	2	
11	Screw MC6S 20x130 12.9 ZFSHL	6000327	2	Loxeal 83-52
12	Wedge	1007836	1	
13	Shoulder bolt 16x50/M12	6000289	1	
14	Washer BRB 13x24x2,5 200 HV FZB	611007	1	
15	Lock Nut M6M M12x1,75 8,8 FZB	610924	1	
16	Wedge Washer	1001836	2	
17	Washer NL 16mm	611044	2	
18	Screw MC6S 16x55 12.9 ZFSHL	6000328	2	Loxeal 83-52
19	Cover plate	1075451	1	
20	Basket Nut M10	610952	4	
21	Washer NL 10mm	611041	4	
22	Screw M6S 10x25 8.8 ZFSHL	6000329	4	



POS in order of assembly