

## COVERSHEET

### Planned document changes:

**Briefly:**

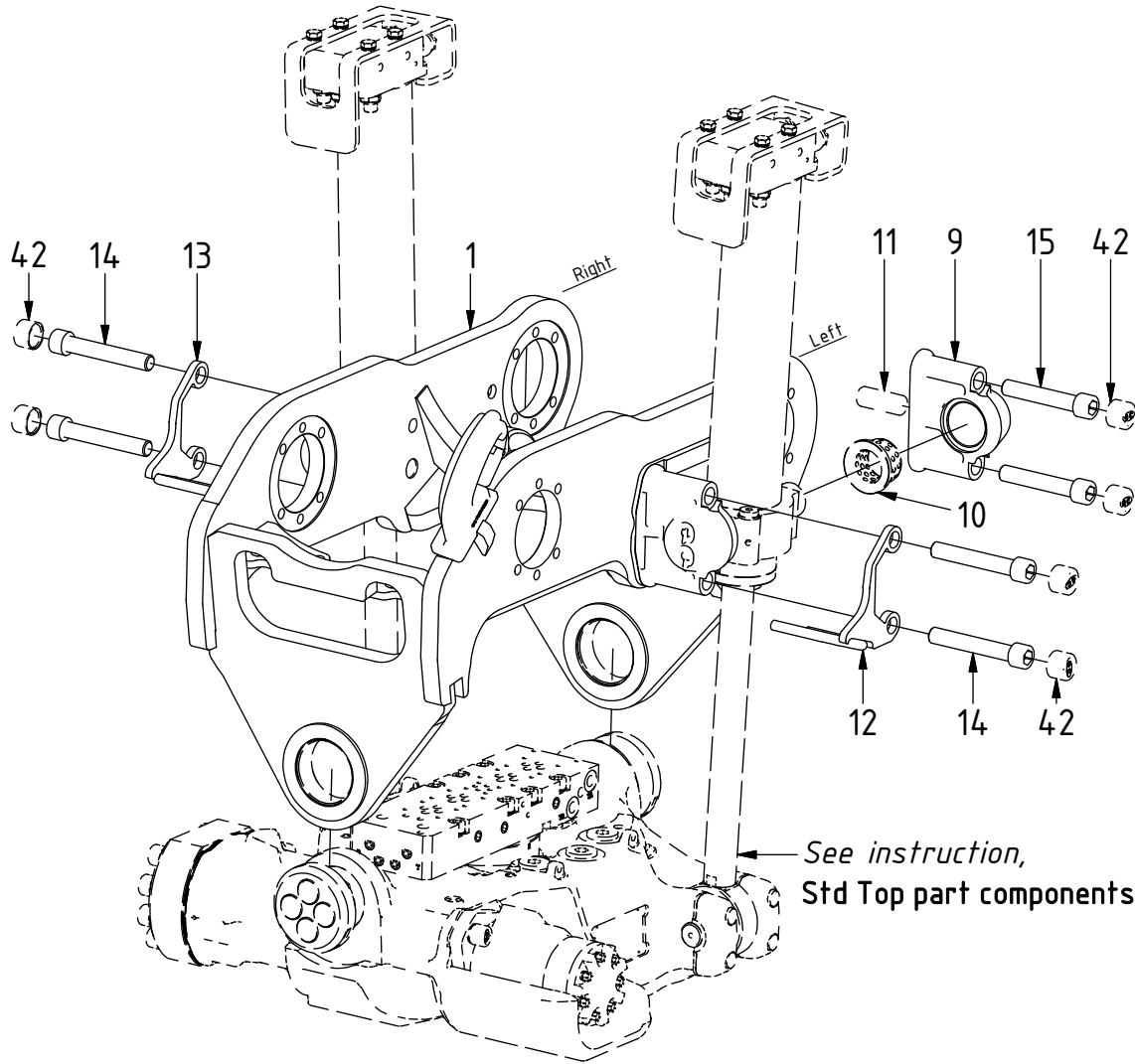
Add photos.

### Document changes:

<u>Date:</u>	<u>Change:</u>	<u>Rev. after change:</u>
2021-02-19	Rear terminal placement updated. Screws updated.	B
2018-04-03	Layout/irrelevant.	A
2018-03-29	New instruction.	-

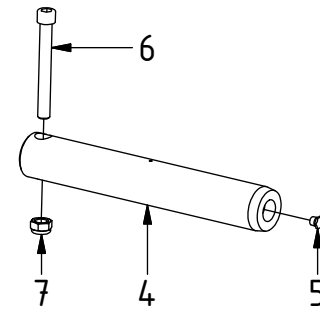
# EC209 - UNI Top part

With inserts  
(Adjustable width)

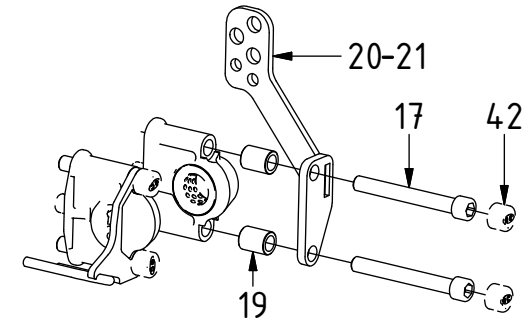


POS	DESCRIPTION	PART	QTY	COMMENTS
1	Top part UNI is selected via engcon		1	
5	Grease nipple	711403	2	For lubricated axle. Loctite 2700
6	MC6S M12x100 12.9 Geomet	611514	2	For lubricated axle
7	Lock nut M12	610924	2	For lubricated axle
8	Shim yoke bracket 10mm	1007041	4	For option Shimmed Tilt cylinder
9	Yoke bracket	1023212	4	(POS.10-11 included)
10	Bushing 35/45/55/5-30	631003	4	
11	Cylindrical pin CPK $\varnothing$ 20x50	650211	4	
12	Hose guide left EC209	1046827	1	
13	Hose guide right EC209	1046828	1	
14	MC6S M16x100 12.9 ZFSHL	6000156	4	Torque: 333Nm
15	MC6S M16x90 12.9 ZFSHL	6000151	4	Torque: 333Nm. QTY: 8 for Welded
16	MC6S M16x110 12.9 ZFSHL	6000253	4	Torque: 333Nm
17	MC6S M16x130 12.9 ZFSHL	6000154	4	Torque: 333Nm
18	MC6S M16x140 12.9 ZFSHL	6000152	4	Torque: 333Nm
19	Spacer terminal 32mm	1028040	4	
20	Rear terminal EC209 UNI Left	1028269	1	
21	Rear terminal EC209 UNI Right	1028270	1	
42	Screw cover M16	611302	8	Part of make up

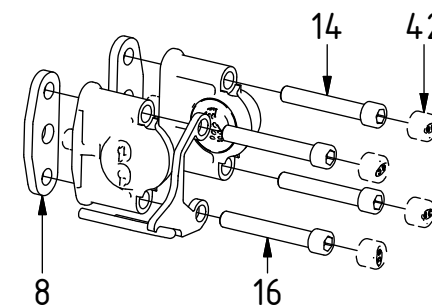
Lubricated axle:



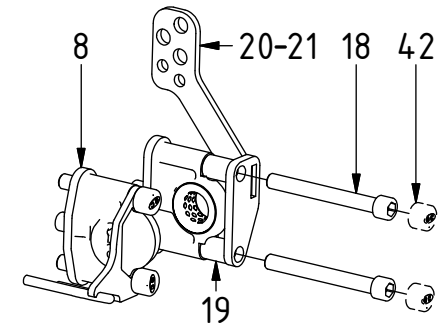
Rear terminals:



Shimmed Tilt cylinder:



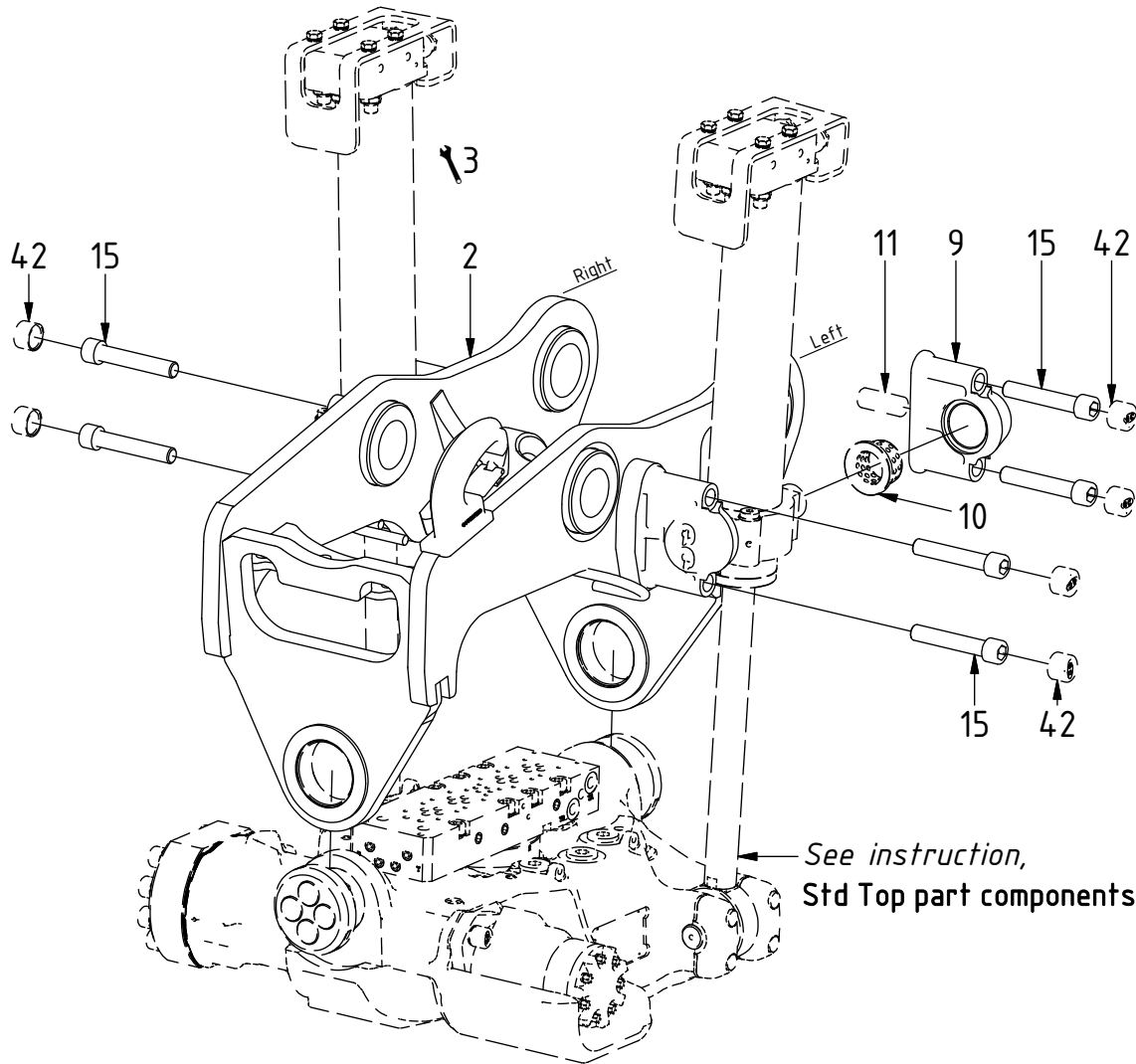
Shimmed & Rear terminals:



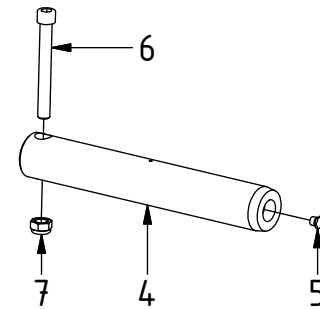
# EC209 - UNI Top part

POS	DESCRIPTION	PART	QTY	COMMENTS
2	Welded top part is selected via engcon		1	
3	For Menzi muck, Liebherr, SW33, CW10			See separate instruction
4	Axle $\varnothing 45-287$ lubricant	405421	2	
5	Grease nipple	7114.03	2	For lubricated axle. Loctite 2700
6	MC6S M12x100 12.9 Geomet	611514	2	For lubricated axle
7	Lock nut M12	610924	2	For lubricated axle
9	Yoke bracket	1023212	4	(POS.10-11 included)
10	Bushing 35/45/55/5-30	631003	4	
11	Cylindrical pin CPK $\varnothing 20 \times 50$	650211	4	
15	MC6S M16x90 12.9 ZFSHL	6000151	4	Torque: 333Nm. QTY: 8 for Welded
42	Screw cover M16	611302	8	Part of make up

**Welded**  
(Fixed width)



Lubricated axle:



# EC209 - UNI Top part

Drawing No: 1044812 /B

- P** = 22, 23
- T** = 22, 23
- R** = 22, 23
- L** = 28
- tilt** = 28
- G** = 28

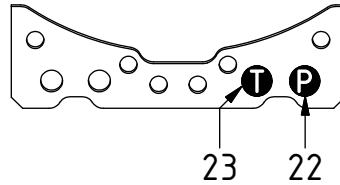
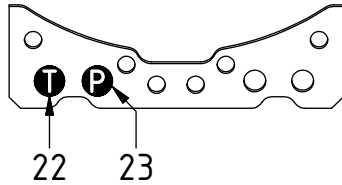
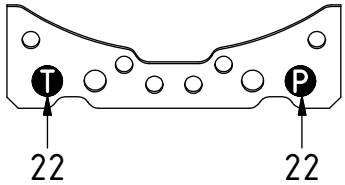
## FEED

### Main Feed

Standard

Main Feed Right

Main Feed Left

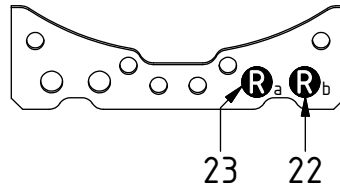
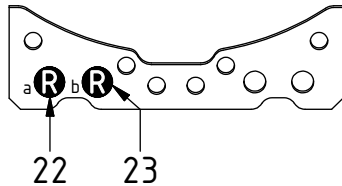
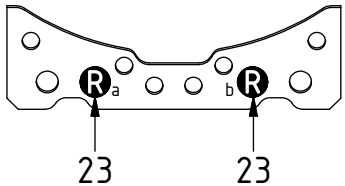


### Rotation

Standard

Rot. Right

Rot. Left



### Lock (SQ)

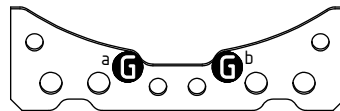
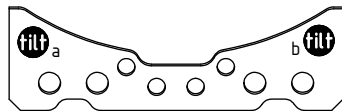
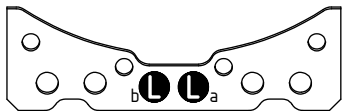
### Tilt (ST)

### Grab (SG)

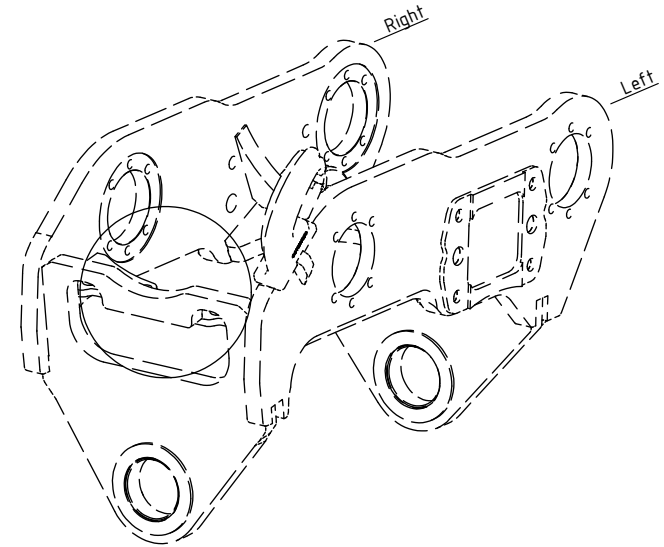
Standard

Standard

Standard



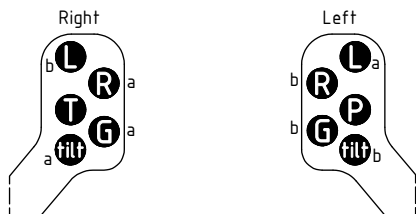
POS	DESCRIPTION	PART	QTY	COMMENTS
22	Use washer, bulkhead, nut: POS.24, 26, 27			QTY depends on config. (1-3)
23	Use washer, bulkhead, nut: POS.24, 25, 27			QTY depends on config. (1-4)
24	Washer NL 16mm	611044	2	
25	Bulkhead 1260-06-32	710242	2	
26	Bulkhead extended 1260-06-43	710262	2	
27	Bulkhead nut 1270-06	710252	2	
28	Use washer, bulkhead, nut: POS.30, 31, 33			QTY depends on config. (2-6)
30	Washer NL 1/2"	611096	2	
31	Bulkhead 1260-04-04	710240	2	
33	Bulkhead nut 1270-04	710250	2	
	Attach feed hoses from control system			(a & b represents channels on feed block)



# EC209 - UNI Top part

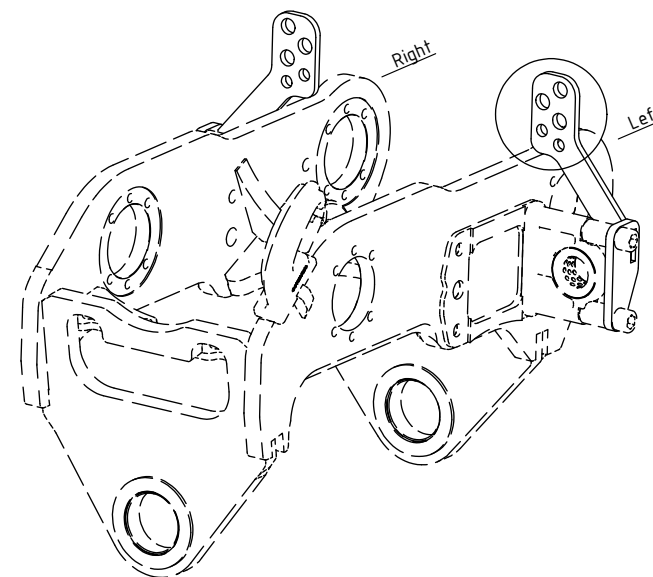
- P** = 23
- T** = 23
- R** = 23
- L** = 29
- tilt** = 28
- G** = 28

**FEED**  
Rear terminals



POS	DESCRIPTION	PART	QTY	COMMENTS
23	Use washer, bulkhead, nut: POS.24, 25, 27			QTY depends on config. (1-4)
24	Washer NL 16mm	611044	2	
25	Bulkhead 1260-06-32	710242	2	
27	Bulkhead nut 1270-06	710252	2	
28	Use washer, bulkhead, nut: POS.30, 31, 33			QTY depends on config. (2-6)
29	Use washer, bulkhead, o-ring, nut: POS.30, 31, 32, 33		2	
30	Washer NL 1/2"	611096	2	
31	Bulkhead 1260-04-04	710240	2	
32	O-ring 12,37x2,62	710961	2	
33	Bulkhead nut 1270-04	710250	2	
34	Hose kit	7000123	1	(POS.35-38 included)
35	Hose Bridge P/Extra	7000118	2	
36	Hose Bridge Rotation	7000119	2	
37	Hose Bridge Lock	7000120	2	
38	Hose Bridge Tilt	7000122	2	
39	Hose Bridge Grab	7000306	2	

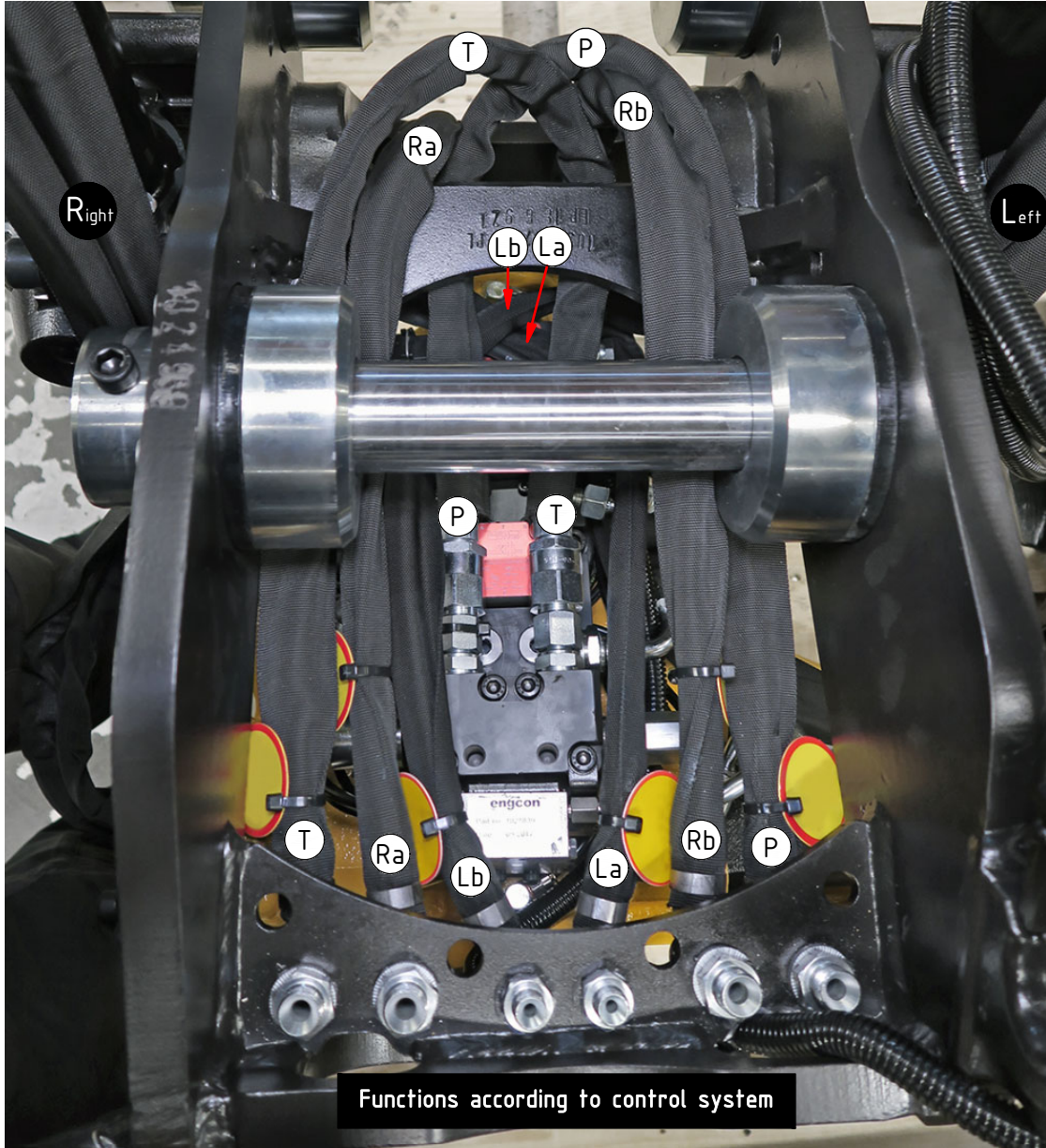
POS in order of assembly



## FEED

ss9, ss10, SQ

POS	DESCRIPTION	PART	QTY	COMMENTS
	Attach feed hoses from control system			(a & b represents channels on feed block)



### Feed Right / Rotation Left:

Photo needed: Feed Right / Rotation Left

Functions according to control system

### Feed Left / Rotation Right:

Photo needed: Feed Left / Rotation Right

Functions according to control system

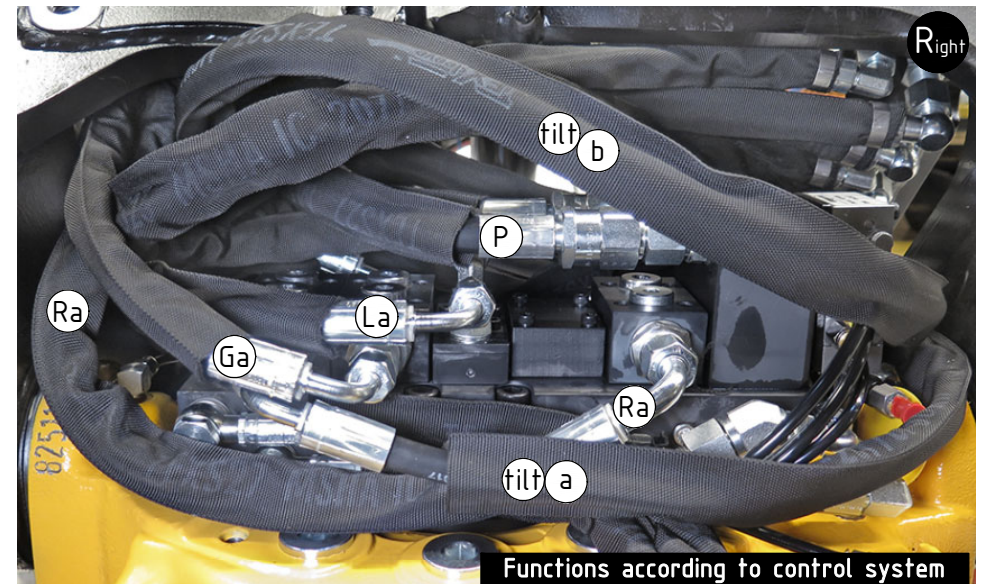
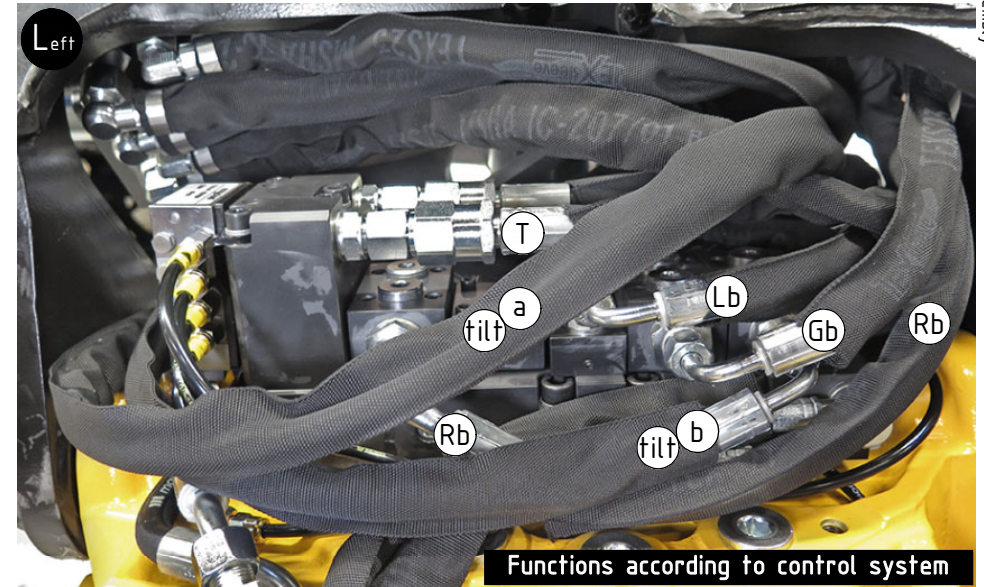
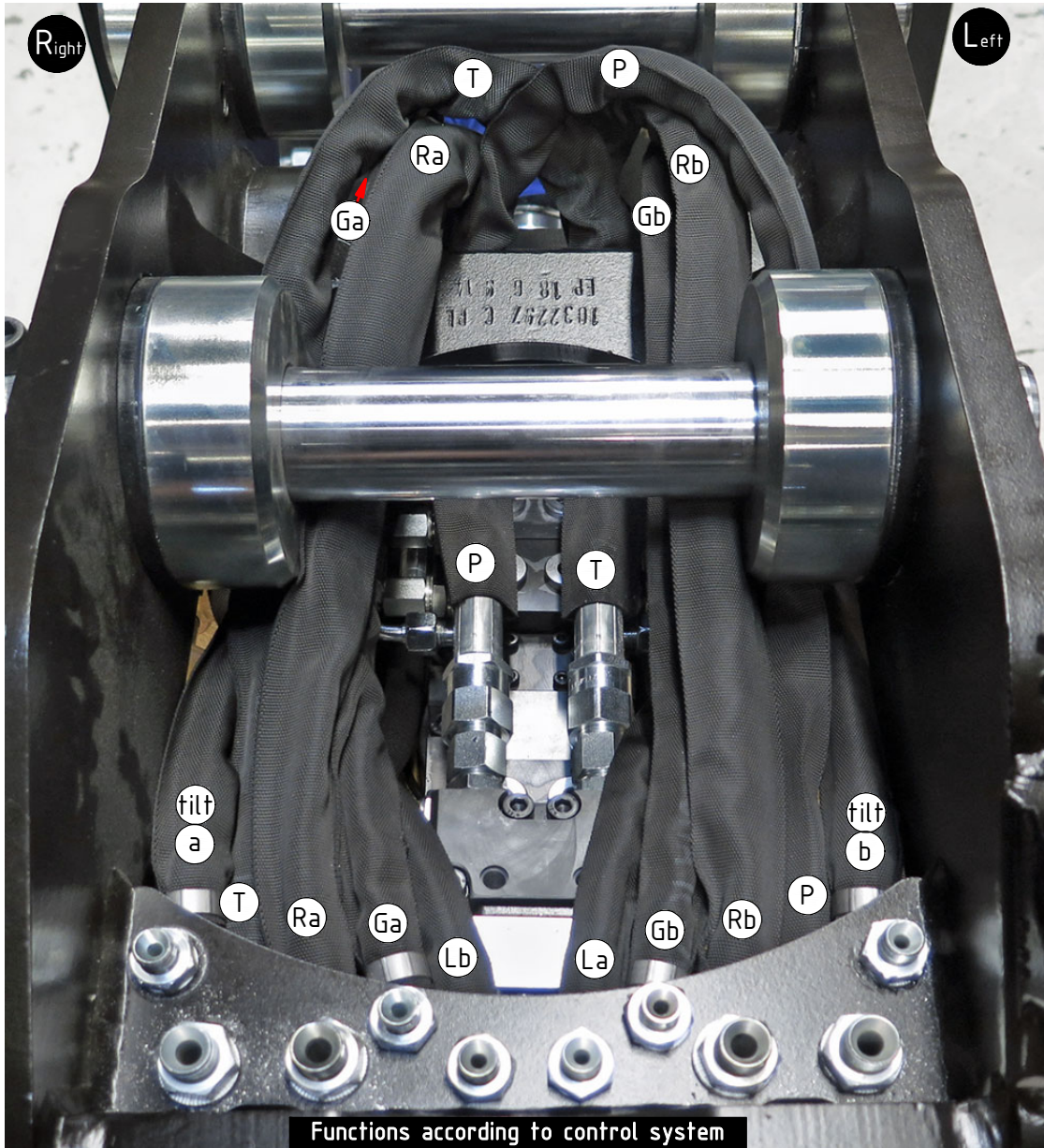


## FEED

ss0, ss0 Grab, ST

POS	DESCRIPTION	PART	QTY	COMMENTS
	Attach feed hoses from control system			(a & b represents channels on feed block)

POS in order of assembly



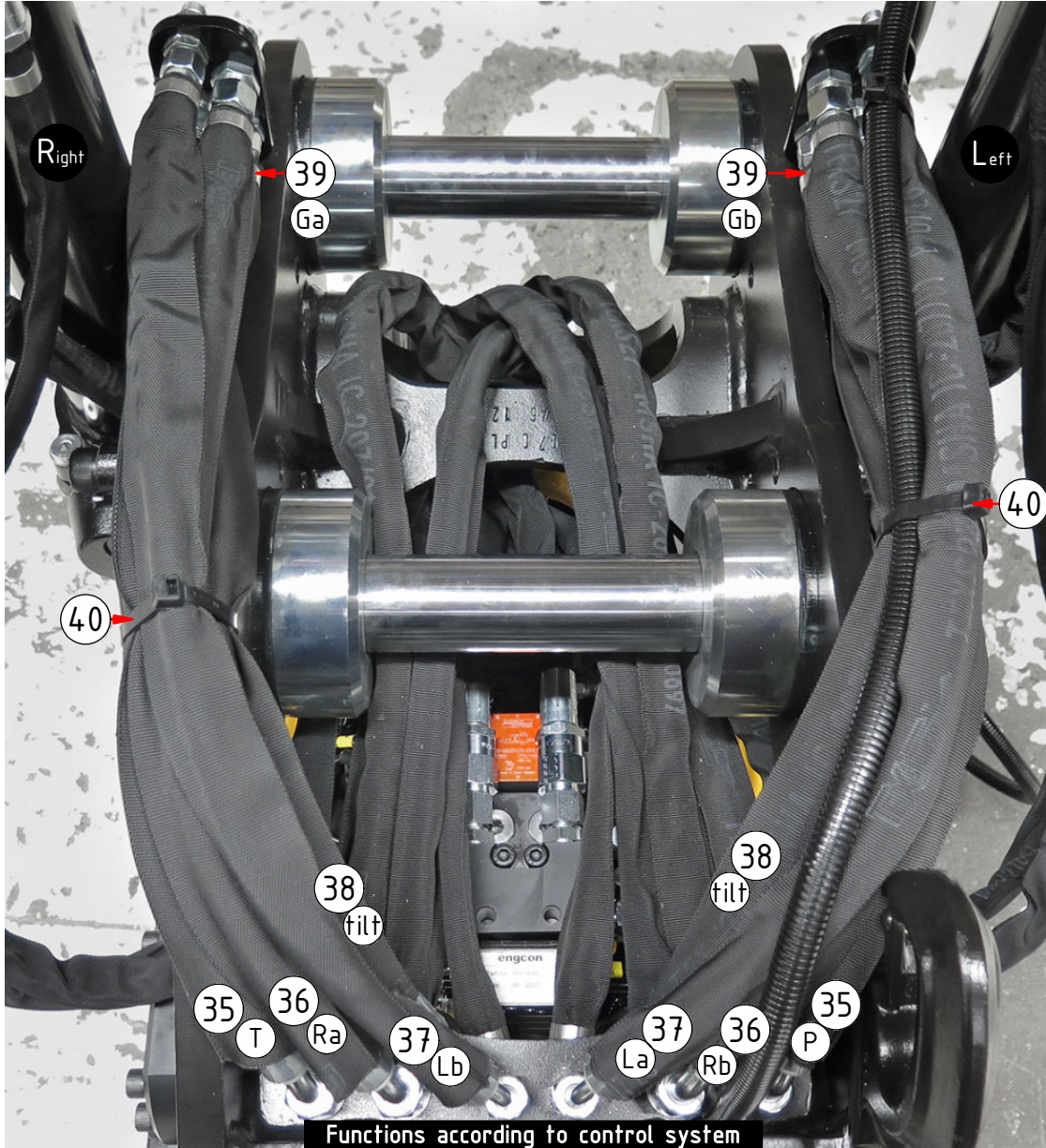
Dashed lines for overview, mounts on other pages/assemblies. \ indicates instruction. represents hose.



## FEED Rear terminals

POS	DESCRIPTION	PART	QTY	COMMENTS
34	Hose kit	7000123	1	(POS.35-38 included)
35	Hose Bridge P/Extra	7000118	2	
36	Hose Bridge Rotation	7000119	2	
37	Hose Bridge Lock	7000120	2	
38	Hose Bridge Tilt	7000122	2	
39	Hose Bridge Grab	7000306	2	
40	Cable tie 7,8x360	1021587	3	
41	Hoses must NOT touch lifting hook!			

POS in order of assembly



Functions according to control system

Dashed lines for overview, mounts on other pages/assemblies. ↘ indicates instruction. 🌀 represents hose.