

COVERSHEET

Planned document changes:

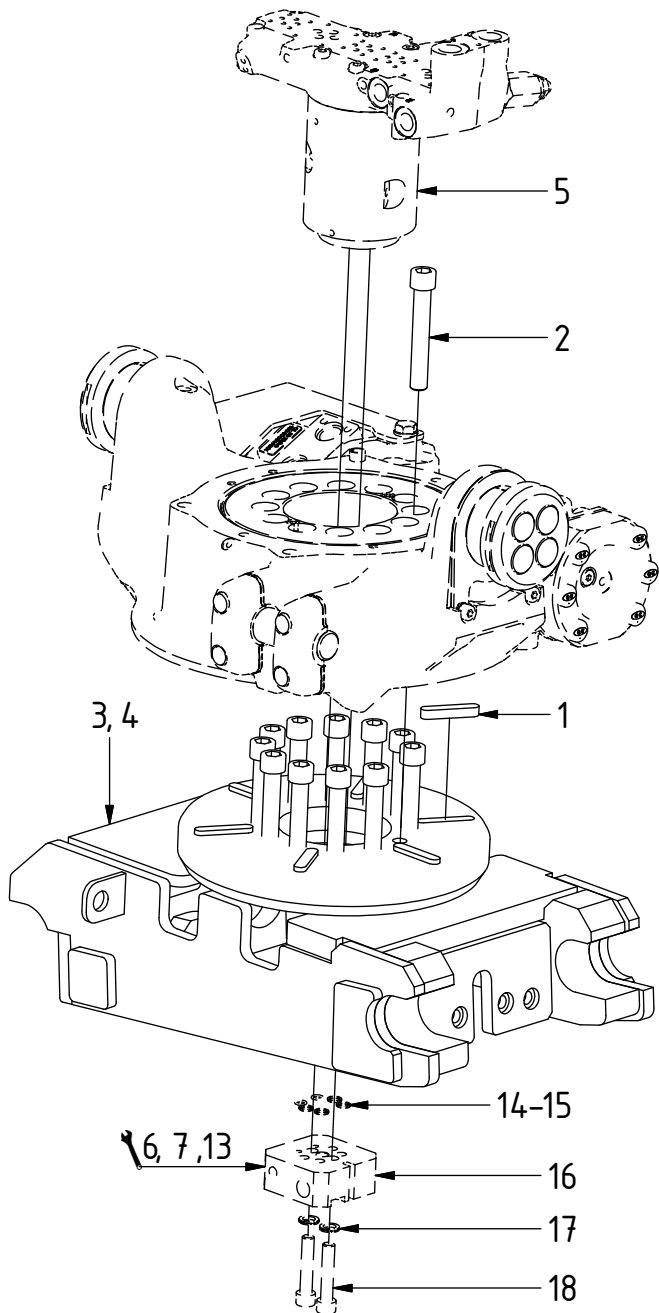
Briefly:

No planned changes.

Document changes:

Date:	Change:	Rev. after change:
2021-06-23	Screws updated to ZFSHL. Coversheet added.	C

EC206 - S45/S50

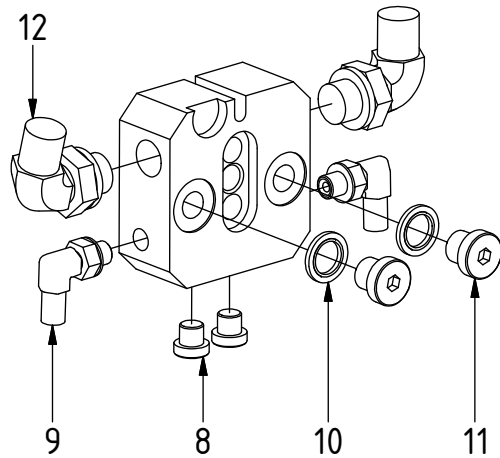


POS	DESCRIPTION	PART	QTY	COMMENTS
1	Feather Key	650102	6	
2	MC6S M14x90 12.9 ZFSLH	6000158	12	Torque: 217Nm
3	Quick hitch S45	1025026	1	
4	Quick hitch S50	1025037	1	
5	Valve block & Swivel Complete	1026703	1	(POS.14-18 included) Part of control system See "Valve blocks & swivels"
6	Disassemble connection block from swivel		1	
7	See p.3 connection block config.		1	
13	Reassemble connection block to swivel		1	
14	O-ring 6,1x1,6	710954	2	
15	O-ring 9,25x1,78	710901	4	
16	Connection Block EC206	1016582	1	
17	Washer NL10	611041	2	
18	MC6S 10x50 12.9 Geomet ISO4.762	611515	2	

EC206 - S45/S50

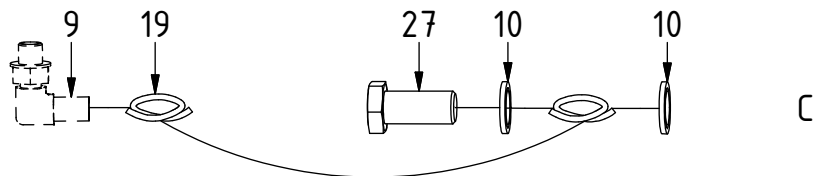
POS	DESCRIPTION	PART	QTY	COMMENTS
8	Plug Bsp 1/8"	711503	2	
9	Adapter 90° 1/8" male-Adj. male	710293	2	
10	Washer GBR04 1/4	710702	6	
11	Plug 1/4"	711505	2	
12	Adapter 90° 3/8"	710152	2	

POS in order of assembly

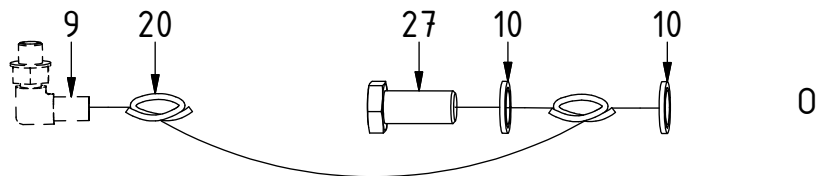


POS	DESCRIPTION	PART	QTY	COMMENTS
8	Plug Bsp 1/8"	711503	2	
9	Adapter 90° 1/8" male-Adj. male	710293	2	
10	Washer GBR04 1/4	710702	6	
11	Plug 1/4"	711505	2	
12	Adapter 90° 3/8"	710152	2	
19	Hose Lock Long	742909	1	
20	Hose Lock Short	742908	1	
21	Hose Extra	742910	2	
22	Bulkhead adapter nut Bsp 3/8"	710252	2	
23	Bulkhead adapter extended	710262	2	
24	Washer GBR06 3/8	710703	2	
25	Quick coupling 3/8"	790113	2	
26	Dust protection	790120	2	
27	Banjobolt 1/4"	710271	2	

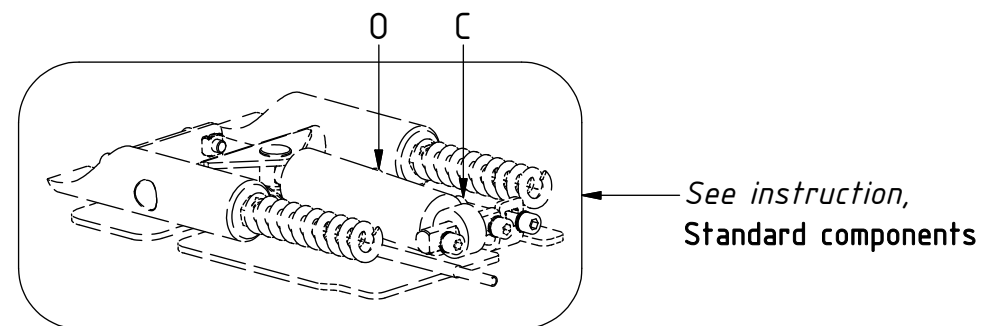
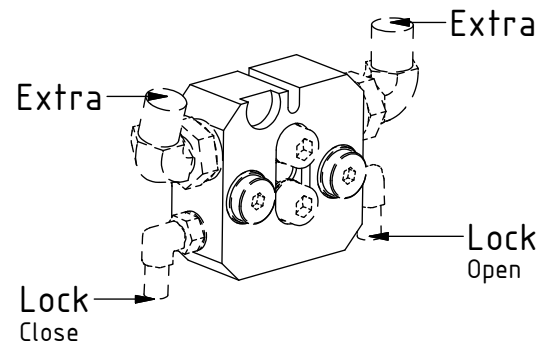
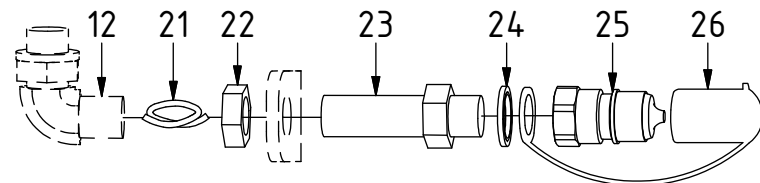
Lock:
Close



Lock:
Open



Extra:
Standard



EC206 - S45/S50

POS	DESCRIPTION	PART	QTY	COMMENTS
19	Hose Lock Long	742909	1	
20	Hose Lock Short	742908	1	
21	Hose Extra	742910	2	

