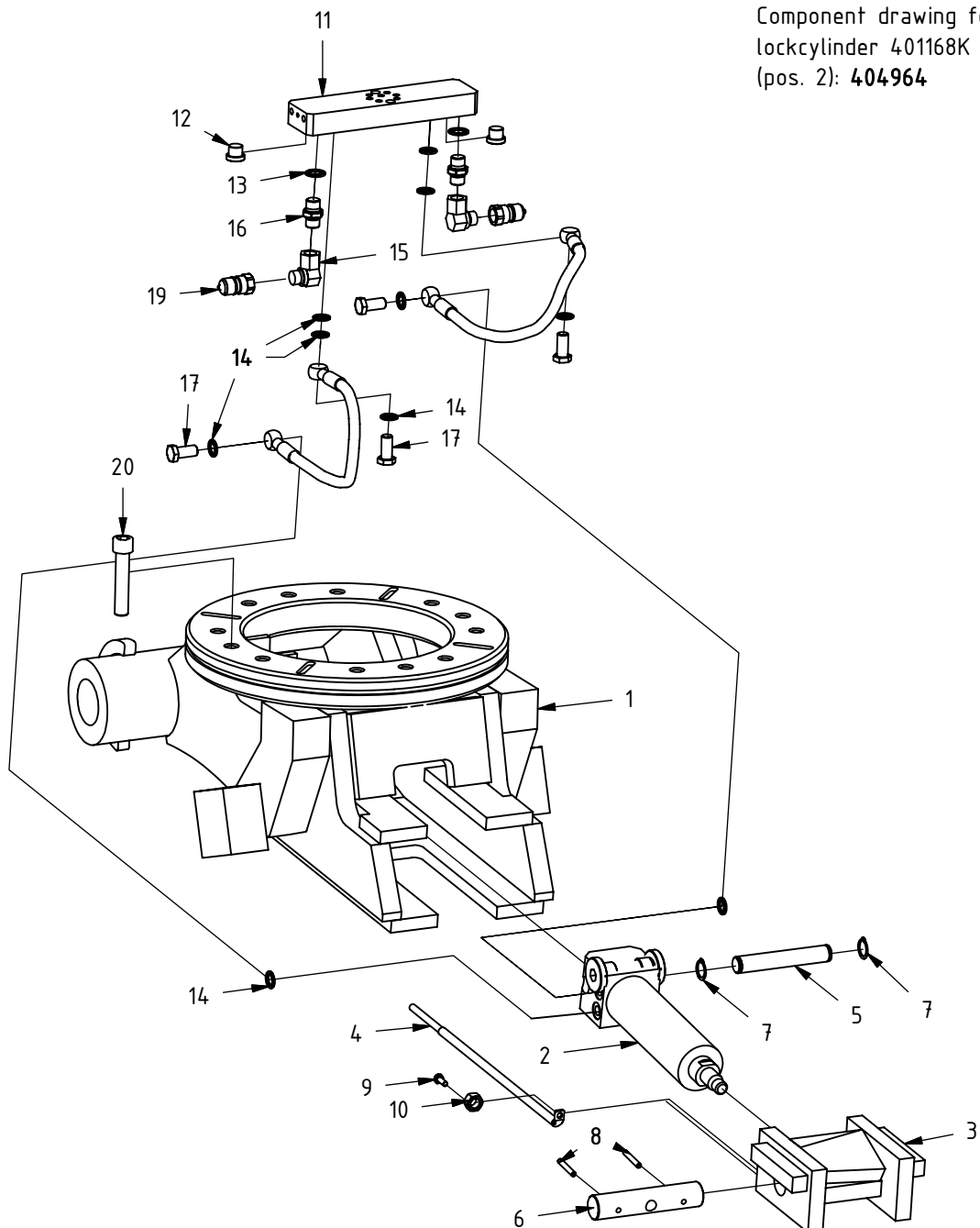


SMP2 Euro EC15

Published: 2004-06-22

Drawing No: 404008/-

POS	DESCRIPTION	PART	QTY	COMMENTS
1	Quick Attachment SMP2 Euro EC15	100999	1	
2	Lockcylinder	401168K	1	Stroke 70mm
3	Lock Wedge	402146	1	
4	Indicating Stick	400910	1	
5	Shaft KM09	400923	1	
6	Lockaxle	402145	1	
7	Seeger Snap Ring	640201	2	SGA 20
8	Slotted Spring Pin	650400	2	6x40 ISO 8752
9	Hex Head Screw 6 x 16	610109	1	8.8 Zinc plated ISO 4017
10	Hex. Nut M6 Nylon Lock	610921	1	DIN 985
11	6 Channel Block	200213	1	
12	Plug	711502	2	VSTIR14ED
13	Tredowasher	710703	2	GBR-06
14	Tredowasher	710702	10	GBR-04
15	Adapter 704-06	710216	2	
16	Adapter	710106	2	132-06-06
17	Banjo	710271	4	4916-04
18	Hydraulic Hose	740205	2	
19	Quick coupler	790113	2	3820 Cejn 10 525 6204
20	Socket Head Screw 16 x 80	610528	12	12.9 Untreated ISO 4762



Component drawing for
lockcylinder 401168K
(pos. 2): 404964