

COVERSHEET

Planned document changes:

Briefly:

Add starlock washer 6000415 against POS.23.

POS.23: add Loxeal 83-52.

POS.21: add Torque 40Nm.

POS.19 glue instructions:


Loxeal 83-52 for black steering,


Loxeal 53-11 for stainless steering.

Document changes:

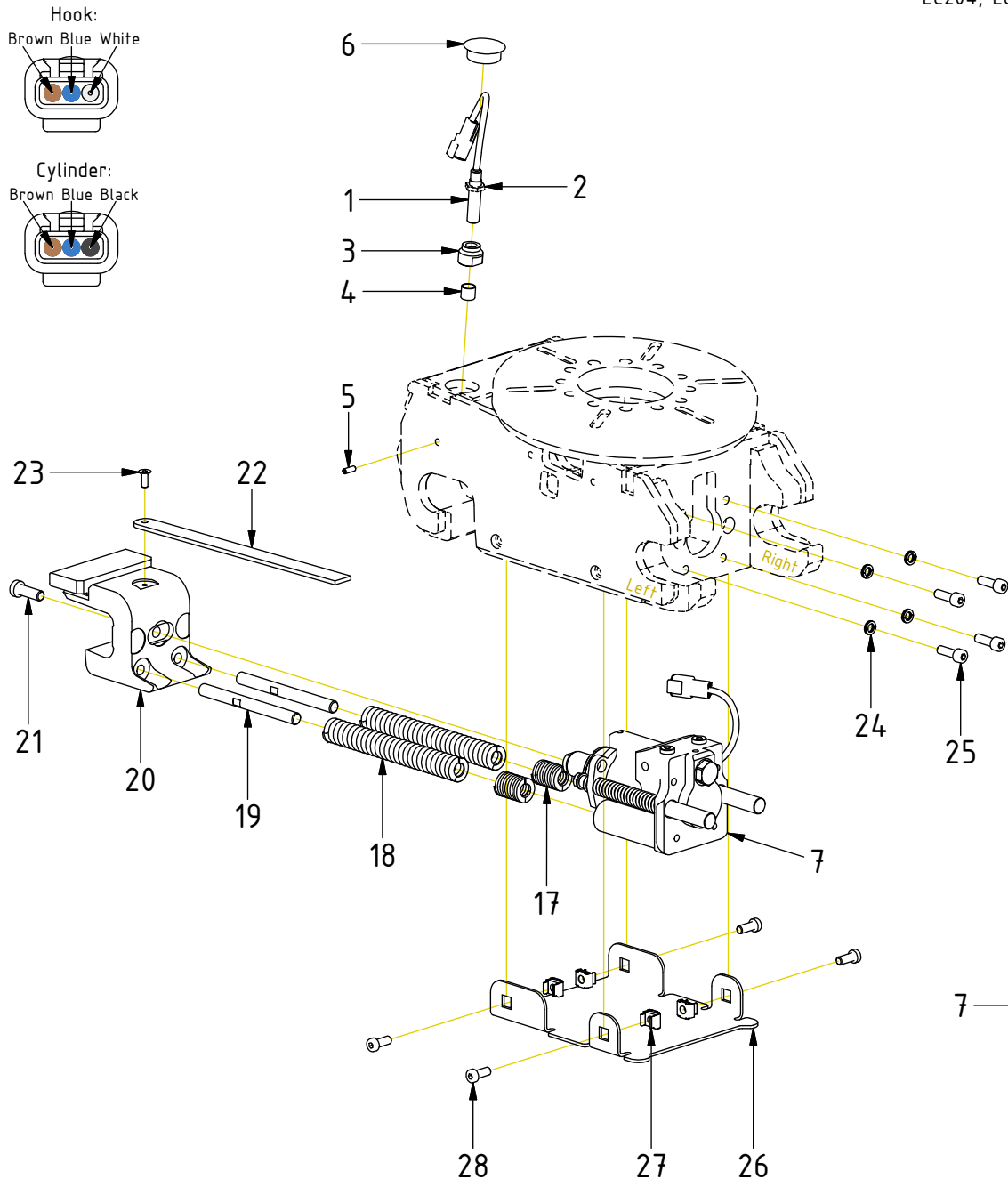
<u>Date:</u>	<u>Change:</u>	<u>Rev. after change:</u>
2022-10-24	Photos added. New layout.	B
2020-12-21	Part no for sensors corrected.	A
2020-03-16	New document.	-

Readers note:

 Indicates instruction.

 Represents Hose.

Dashed lines for overview, mounts
on other pages/assemblies.

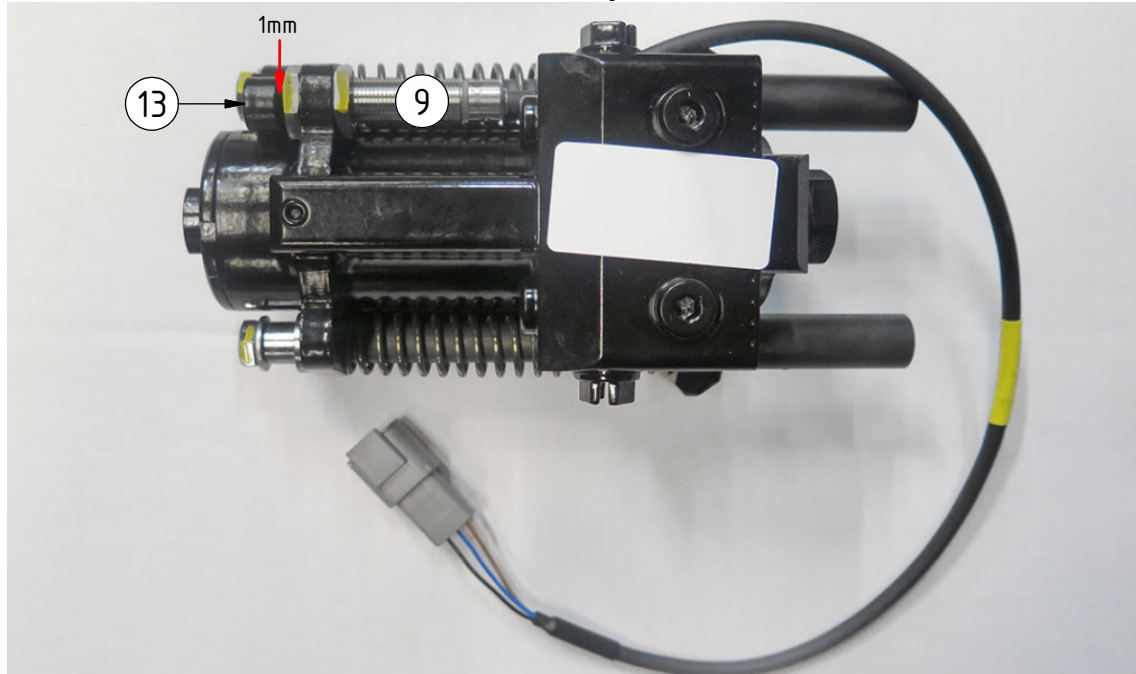


POS	DESCRIPTION	PART	QTY	COMMENTS
1	Inductive sensor QSC (hook)	8001070	1	Mount just below surface edge
2	Hex nut			(Incl. with sensors)
3	Position nut, inductive sensor	1056868	1	
4	Protection lid, inductive sensor	8000056	1	
5	Set Screw M8x16	610808	1	
6	Cover plug	8000068	1	
7	Lock cylinder S40S Complete	1057115	1	(POS.8-16 incl.)
8	Lock cylinder S40S	1056690	1	
9	Inductive sensor QSC (cylinder)	8001071	1	Mount 1mm from sensor plate
10	Spring 16x104	1024020	2	
11	Ejector	1055938	2	
12	Spacer	1056860	2	
13	Sensor plate	1056857	1	Assemble with slight play
14	Flat Washer	611005	2	
15	Screw M6S 8x25 8.8 FZB	610124	2	Loxéal 83-52
16	Plug Bsp 1/8"	711503	4	
17	Spring 25x32	1025483	2	
18	Spring 25/12,5-178	640112	2	
19	Steering	1056869	2	Loxéal 53-11
20	Hook S40S	1056815	1	
21	Screw MLC6S M10x30 10.9 FZB	610712	1	Loxéal 83-52
22	Indicator pin S40S	1056967	1	
23	Screw MF6S M6x16 10.9 untreated	610604	1	
24	Washer NL 8mm	611040	4	
25	Screw MC6S M8x25 12.9 ZFSHL	6000143	4	
26	Protection lid QS40	1056928	1	
27	Cage Nut M8 C	610959	4	
28	Screw MLC6S M8x20 8,8 FZB	610711	4	Loxéal 83-52

POS in order of assembly

Sensor Cylinder

EC204, EC206



POS	DESCRIPTION	PART	QTY	COMMENTS
1	Inductive sensor QSC (hook)	8001070	1	Mount just below surface edge
9	Inductive sensor QSC (cylinder)	8001071	1	Mount 1mm from sensor plate
13	Sensor plate	1056857	1	Assemble with slight play

POS in order of assembly

Sensor Hook

