

COVERSHEET

Planned document changes:

Briefly:

2026-06-23. Correct description POS.39: Banjo bolt 4451-02 (1/8").

2024-11-25. Add spare part for valve block: o-rings 710983.

2024-10-29. Add to cover plate screws (POS.13, 16, 18, 19): Torque: 40Nm.

2024-01-12. POS.30 replaced by 6000408.

Document changes:

Date:	Change:	Rev. after change:
2023-12-08	Valve block screws must be tightened in cross pattern.	A
2023-04-26	New document.	-

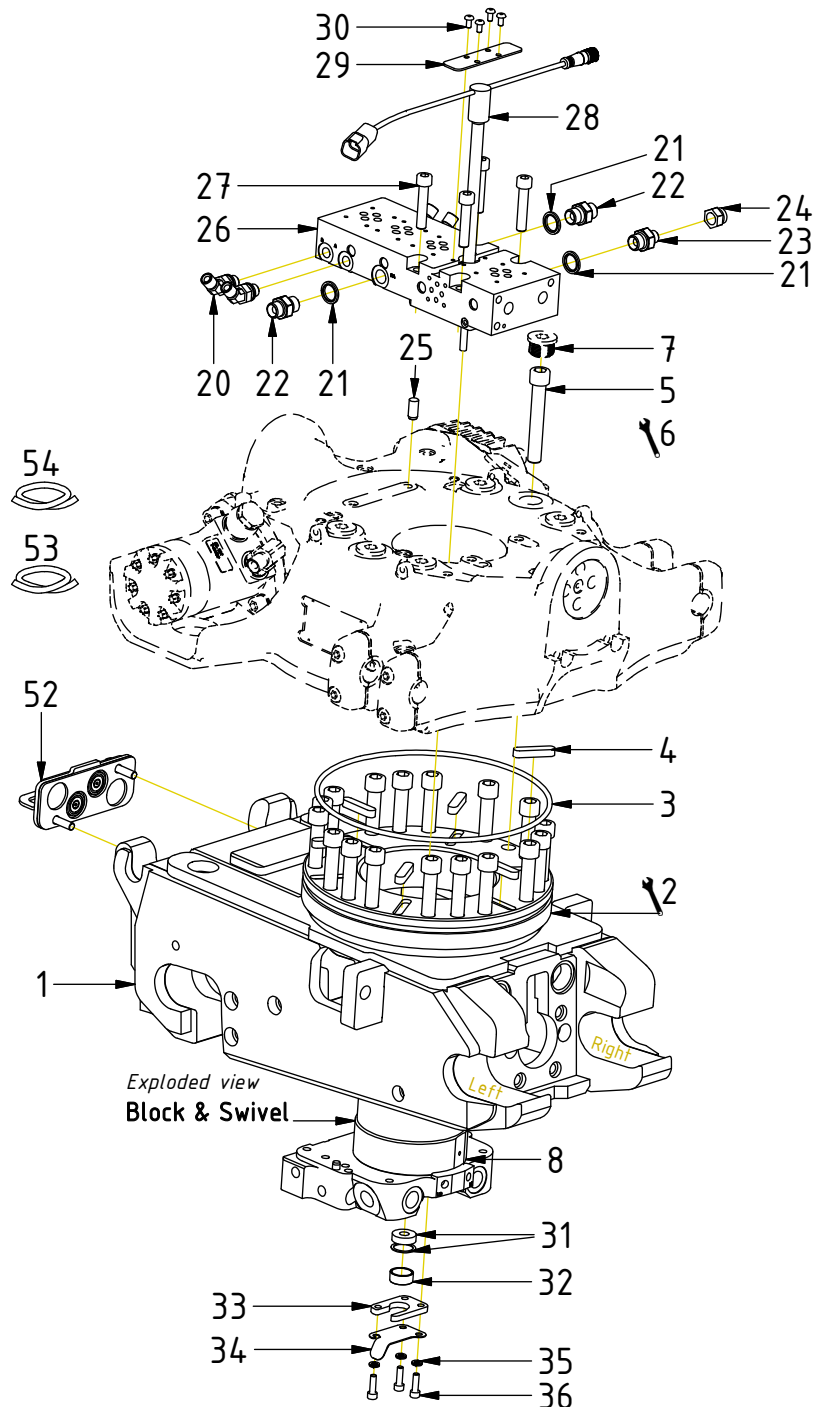
Readers note:

Indicates instruction.



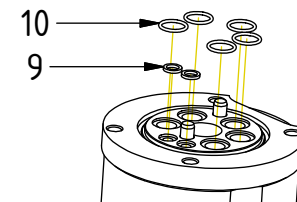
Represents Hose.

Dashed lines for overview, mounts
on other pages/assemblies.



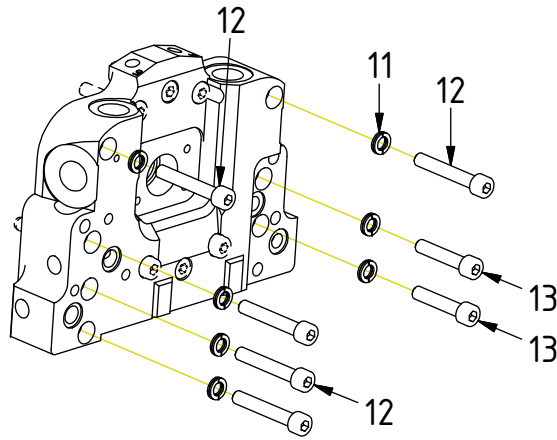
POS	DESCRIPTION	PART	QTY	COMMENTS
1	Quick hitch QSM50 EC209B	1068000	1	
2	Grease the ring			
3	O-ring	7001663	1	
4	Feather Key	650101	6	
5	Screw MC6S M14x90 12.9 ZFSHL	6000158	18	Torque: 217Nm
6	Torque tighten rotator frame to hitch. Rotate to access all holes			
7	Pipe plug M26x1,5	650409	6	Part of rotator frame
8	Connect. block & swivel QSM Compl.	1069539	1	
9	O-ring 7,66x1,68 square	7000579	2	
10	O-ring 14x1,78 70 shore	710975	5	
20	Adapter 45° 402-04-04(1/4")	7000104	4	Assemble before valve block
21	Washer GBR06 3/8	710703	11	
22	Adapter 136-06-06 (3/8")	710106	2	
23	Adapter 135-04-06 (1/4"-3/8")	710118	1	
24	Protective cap 155-04 (1/4")	711625	1	
25	Cylindrical pin CPK ø10x24 m6	1020539	1	
26	Valve Block QSM	1052673	1	
27	Screw MC6S M10x50 12.9 ZFSHL	611515	4	Loxéal 83-52. Torque: 79Nm Tighten in cross pattern
28	Slip ring QSM45 M12	8001015	1	Mount with marine silicone
29	Cover plate slip ring	1050384	1	
30	Screw K6S M5x10 10.9 untreated	611817	4	
31	Rubber bushing	1046691	1	Use the outer ring. Washer down
32	Ring slip ring QSM	1046692	1	
33	Plate slip ring QSM	1046689	1	
34	Plate cable steering QSM	1046694	1	
35	Washer NL 6mm	611039	3	
36	Screw MC6S M6x20 8,8 FZB	610310	3	
52	Cover plate QSM45 magnet	1056107	1	
53	Hose hydraulic motor Short QSM	7001306	1	
54	Hose hydraulic motor Long QSM	7001307	1	

Between swivel & valve block:

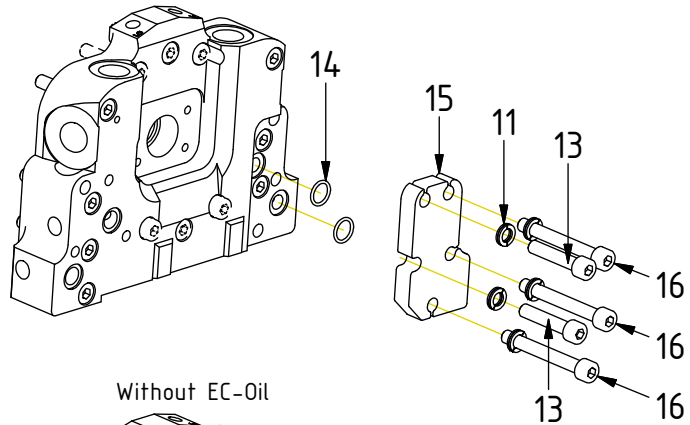


POS in order of assembly

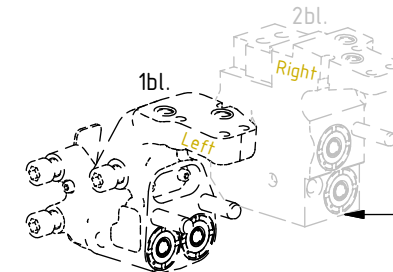
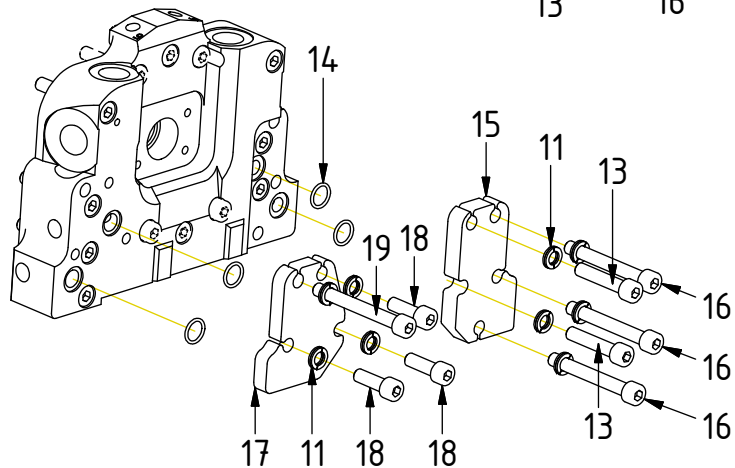
POS	DESCRIPTION	PART	QTY	COMMENTS
11	Washer NL 8mm	611040	7	QTY depends on config. (7-16)
12	Screw MC6S M8x50 12.9	610439	5	
13	Screw MC6S M8x40 12.9 ZFSL	6000145	2	QTY depends on config. (2-4)
14	O-ring 12,42x1,78	710973	2	QTY: 4 without EC-Oil
15	Cover plate QSM50 Right	1067925	1	
16	Screw MC6S M8x65 12.9 ZFSL	6000398	3	
17	Cover plate QSM50 Left	1056687	1	
18	Screw MC6S M8x25 12.9 ZFSL	6000143	3	
19	Screw MC6S M8x70 12.9 ZFSL	6000286	1	



EC-Oil 1bl.



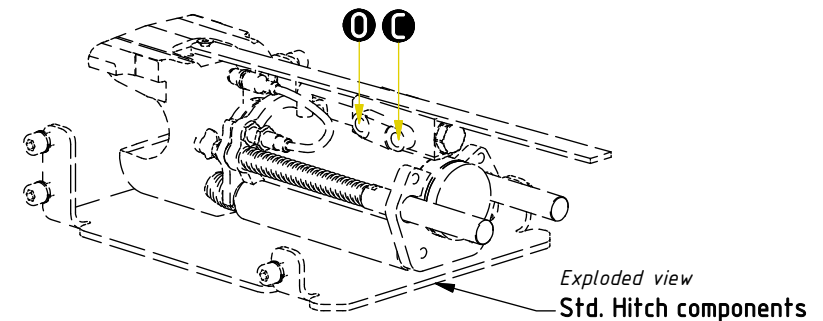
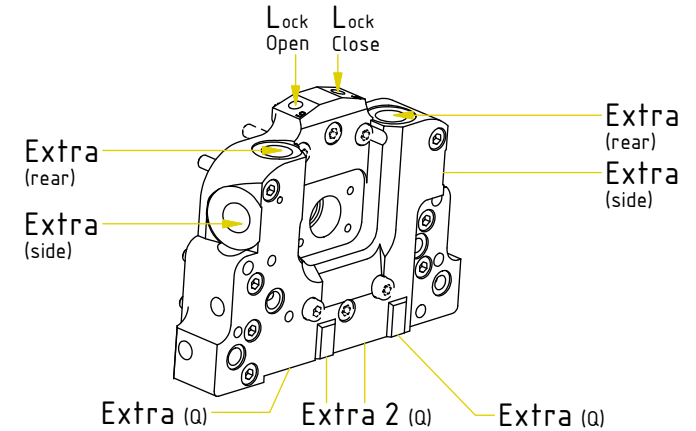
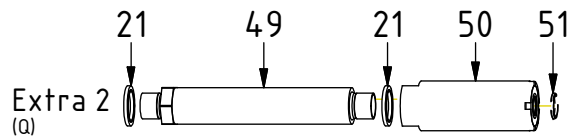
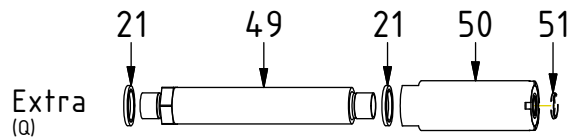
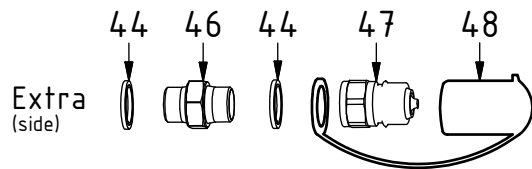
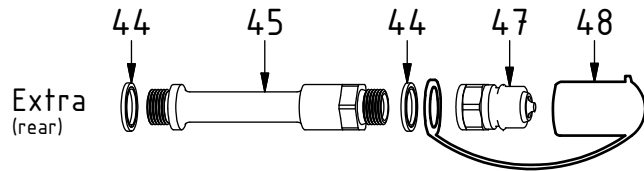
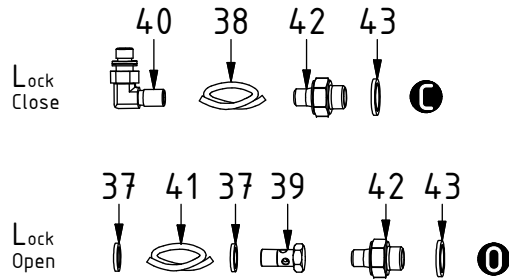
Without EC-Oil



Exploded view
EC-Oil components

POS in order of assembly

POS	DESCRIPTION	PART	QTY	COMMENTS
21	Washer GBR06 3/8	710703	11	
37	Washer GBR02 1/8	710701	2	
38	Hose Lock C	7001844	1	
39	Banjo bolt 4451-02 (1/2")	710277	1	
40	Adapter 401-02-02 90° (1/8")	710293	1	
41	Hose Lock O	7001843	1	
42	Adapter 135-02-04 (1/8"-1/4")	710103	2	
43	Washer GBR04 1/4	710702	2	
44	Washer GBR08 1/2	710704	8	
45	Adapter extension 1/2" QSM45	1053175	2	
46	Adapter 136-08-08 (1/2")	710108	2	
47	Quick coupling 1/2"	790115	4	
48	Dust Protection 1/2"	790121	4	
49	Adapter extension 3/8" QSM45	1053288	4	
50	Coupling ECO QSM 3/8" female V3	1055682	4	Loxeal 83-52. (POS.51 incl.)
51	Flat sealing for ECO 3/8" V3	1052976	4	



POS	DESCRIPTION	PART	QTY	COMMENTS
38	Hose Lock C	7001844	1	
41	Hose Lock O	7001843	1	
53	Hose hydraulic motor Short QSM	7001306	1	
54	Hose hydraulic motor Long QSM	7001307	1	

