

## COVERSHEET

## Planned document changes:


**Briefly:**


2025-11-25. Add DC3 to ECO blocks. (Same as DC2).

## Document changes:

<b>Date:</b>	<b>Change:</b>	<b>Rev. after change:</b>
2024-09-25	Adapter description corrected.	D
2023-06-30	Details for Drain corrected.	C
2023-06-21	New ECO std. configs from 2023. ECO70 W removed.	B
2022-06-08	ECO80 W added. Top part updated.	A
2021-04-21	New document.	-

*Readers note:*

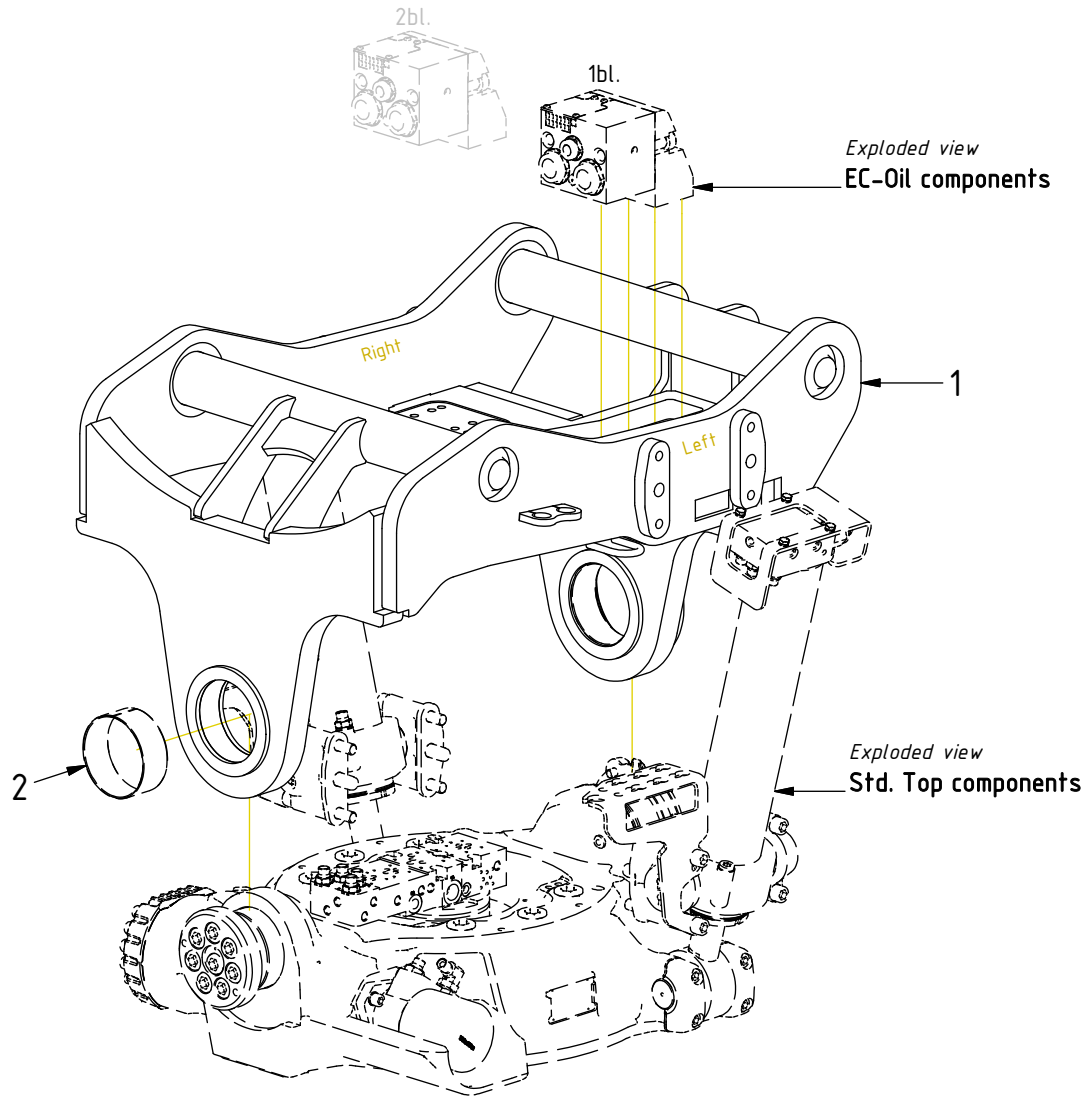
 Indicates instruction.

 Represents Hose.

Dashed lines for overview, mounts  
on other pages/assemblies.

POS	DESCRIPTION	PART	QTY	COMMENTS
1	Top part QS80 EC233S	1064574	1	(POS.2 incl.)
2	Bushing 120/125x50 WB802	6000087	2	

POS in order of assembly

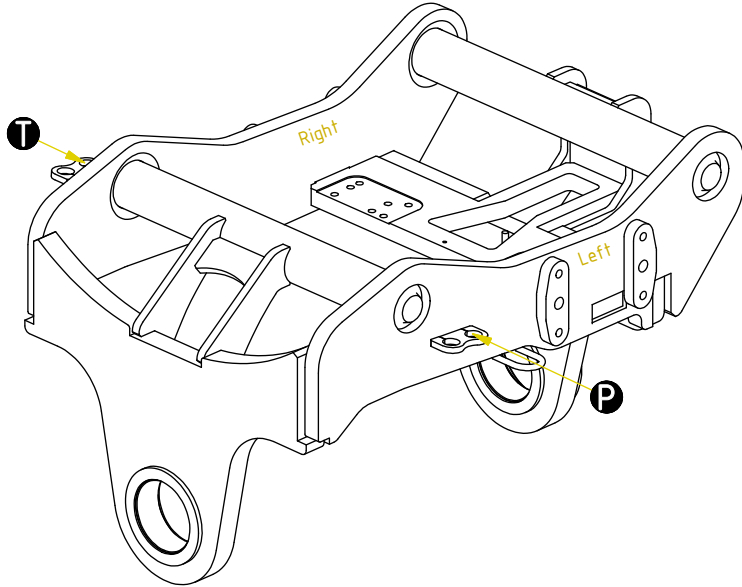


- T** ← 5-7
- P** ← 5-7

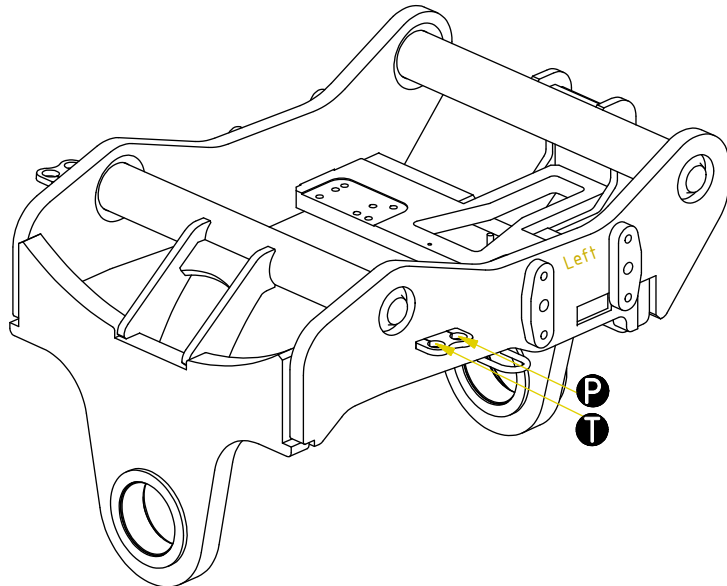
## FEED

Main Feed

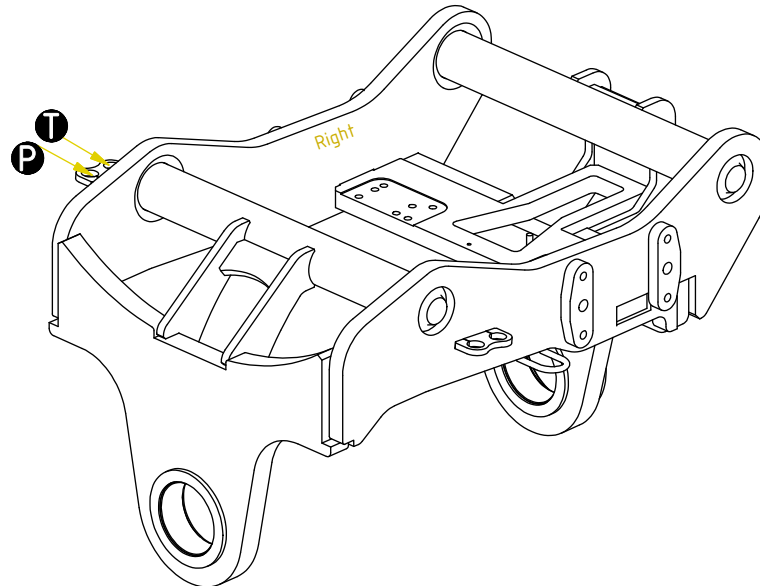
POS	DESCRIPTION	PART	QTY	COMMENTS
3	For Feed Hoses			See "Control system"
5	Washer NL 1"	611095	2	
6	Adapter 1260-12-12 (3/4")	712210	2	
7	Counternut 1270-12 (3/4")	712211	2	



Feed Left



Feed Right

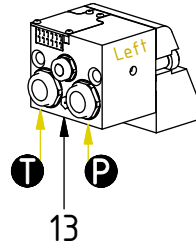


- T** ← 8
- P** ← 8
- cap** ← 8-9
- drn** ← 10-12

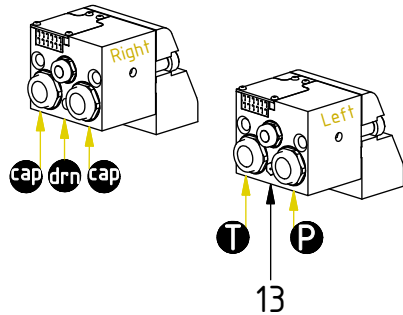
**FEED**  
EC080 W

ss10 (DC2/SVAB)

3 hyd.

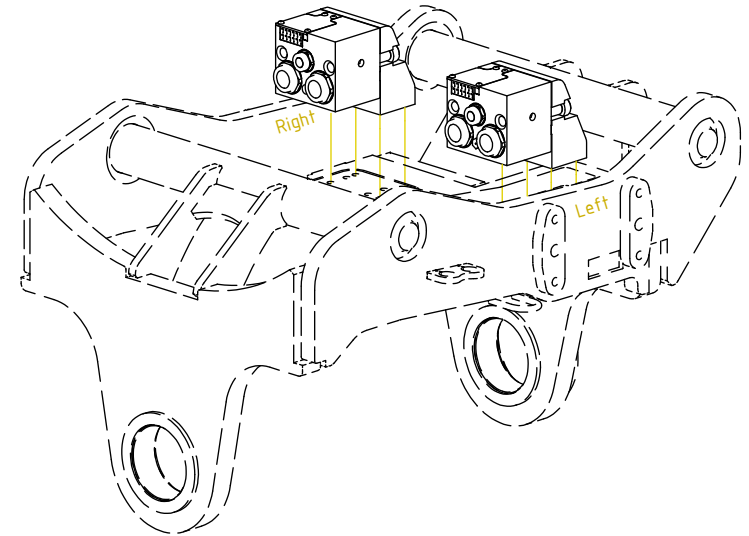


6 hyd.



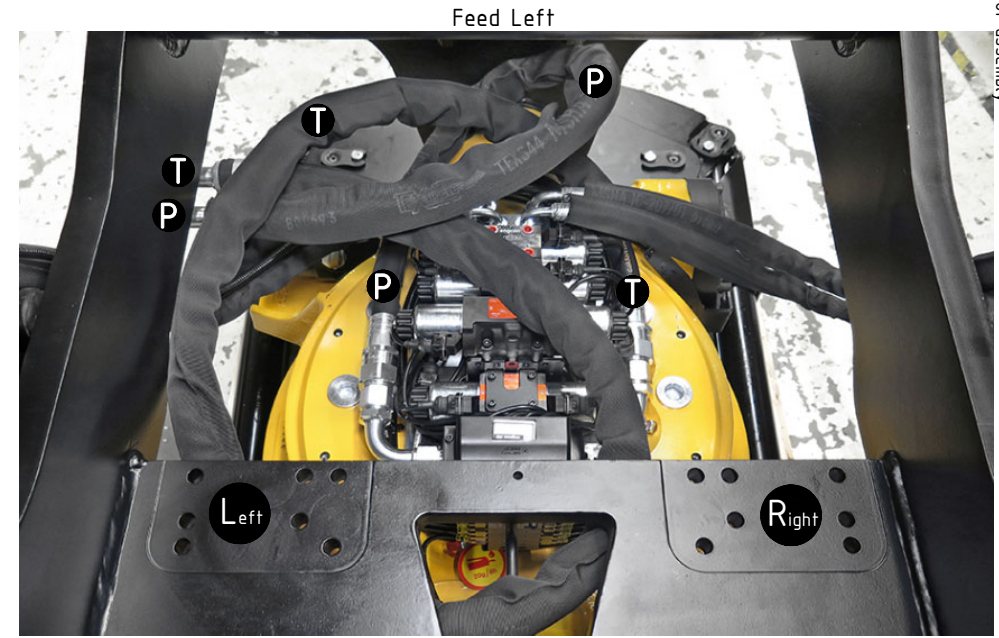
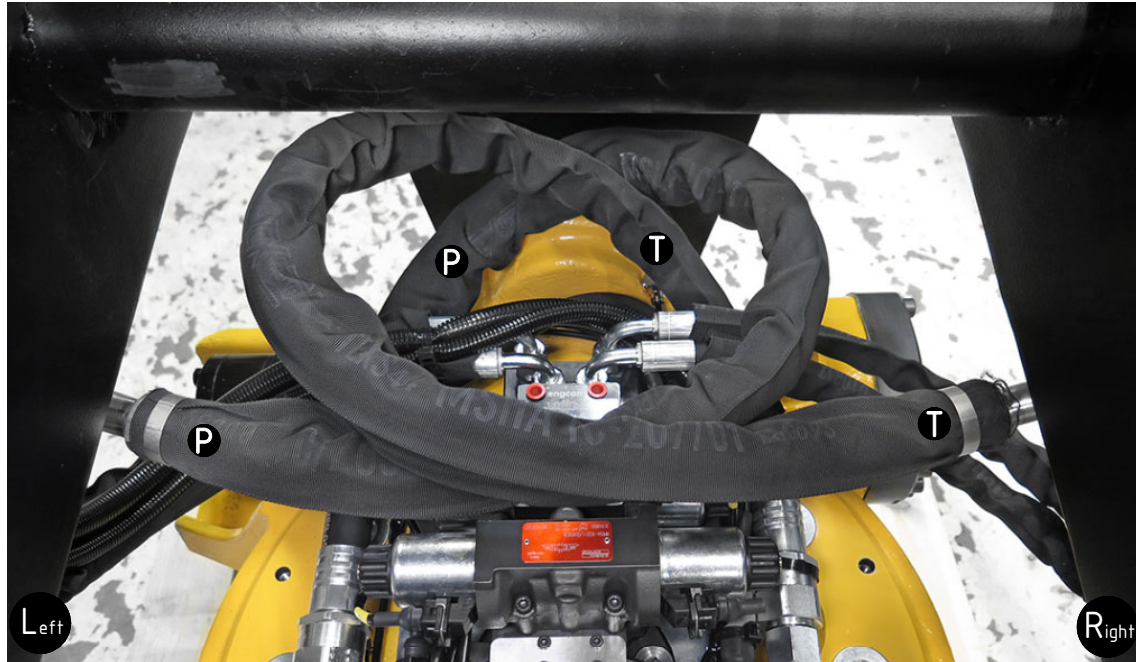
POS	DESCRIPTION	PART	QTY	COMMENTS
3	For Feed Hoses			See "Control system"
4	For option Drain on Left bl.			Use POS.10-12
8	Adapter 401-12-16 90°	7001428	2	
9	Protective cap	711629	2	
10	Washer GBR08 1/2	710704	4	
11	Adapter 236-08-08	710132	1	
12	Banjo bolt 4451-08 (1/2")	710274	1	
13	Plug 70125-08 (1/2")	711500	1	Used without Drain

POS in order of assembly



**FEED**  
Main Feed

POS	DESCRIPTION	PART	QTY	COMMENTS
3	For Feed Hoses			See "Control system"

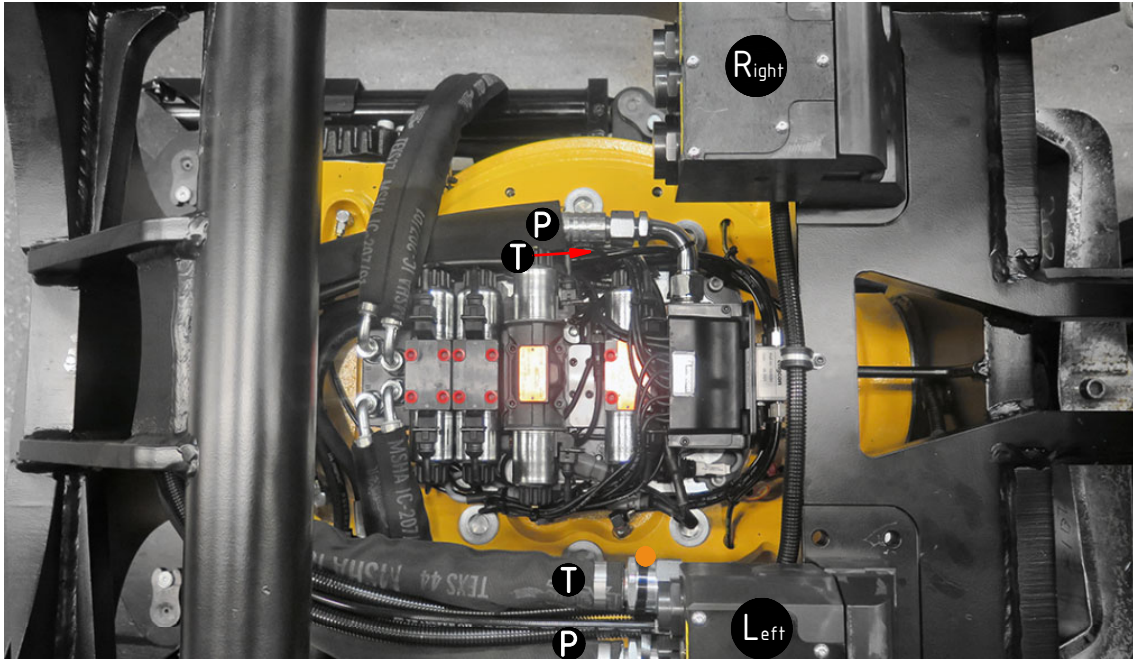


POS in order of assembly

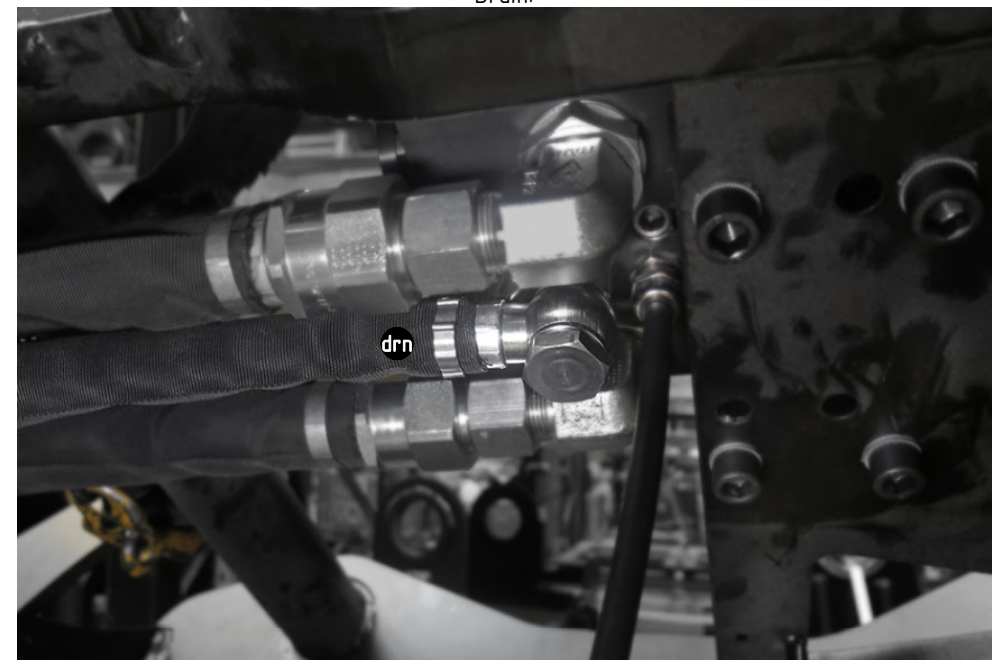
FEED  
EC080 W

POS	DESCRIPTION	PART	QTY	COMMENTS
3	For Feed Hoses			See "Control system"
●	Use cable ties			

POS in order of assembly



Drain:



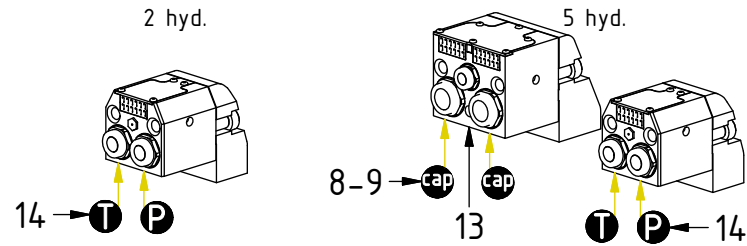
## SPARE PARTS

POS	DESCRIPTION	PART	QTY	COMMENTS
8	Adapter 401-12-16 90°	7001428	2	
9	Protective cap	711629	2	
13	Plug 70125-08 (1/2")	711500	1	Used without Drain
14	Adapter 401-12-12 90° (3/4")	712201	2	
15	Adapter 401-08-12 90° (1/2"-3/4")	710155	4	

POS in order of assembly

ECO70 W as left block until 2022-12

### ss10 (DC2/SVAB)



### ss9

