

COVERSHEET

Planned document changes:

Briefly:

No planned changes.

Document changes:

Date:	Change:	Rev. after change:
2025-07-03	Rot. functions corrected. CW hose terminal added.	E
2025-03-27	ss9/ss0 updated.	D
2025-02-25	Adapters corrected. EC204BU added.	C
2025-01-17	ss0 spacers added.	B
2024-11-07	New document.	A
2024-04-29	Pre-series draft.	-

Readers note:

Indicates instruction.

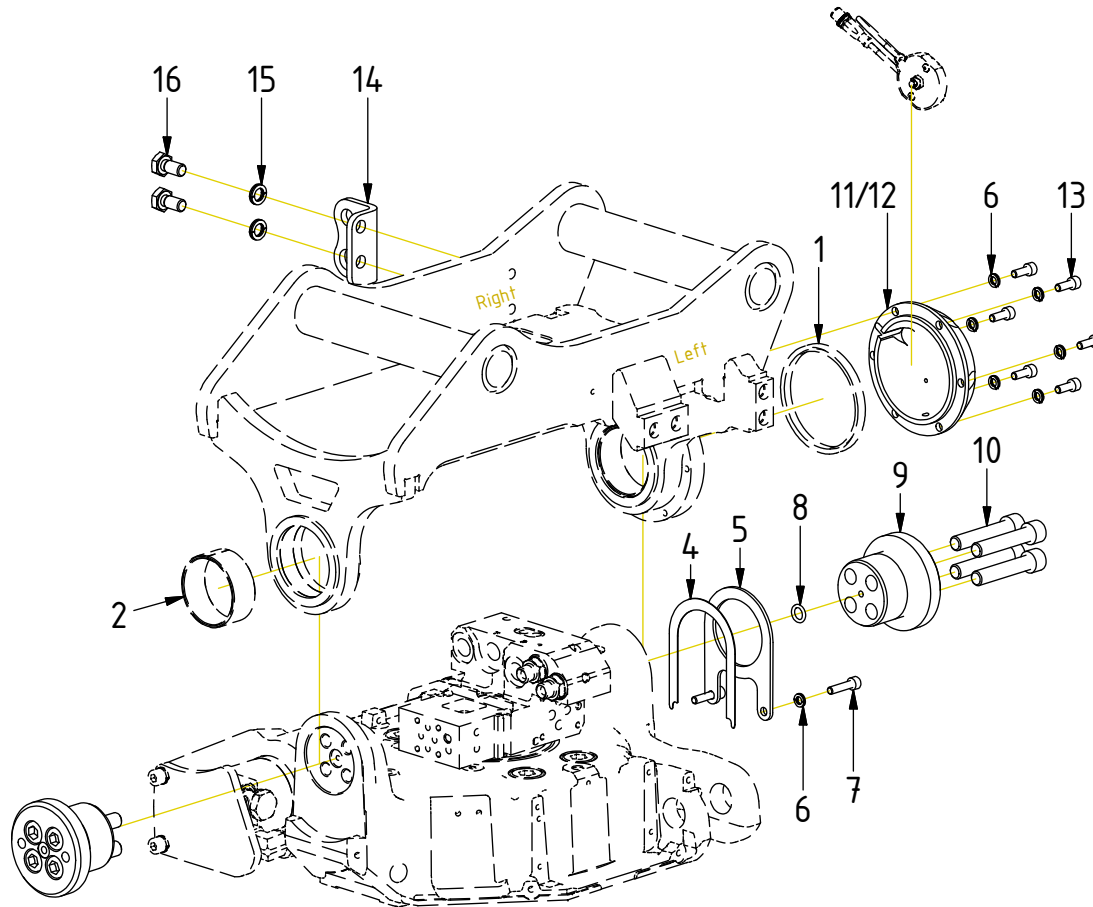


Represents Hose.

Dashed lines for overview, mounts
on other pages/assemblies.

EC204B - Std. Top components

EC204BS:
Exploded view
ePS2 Sensors



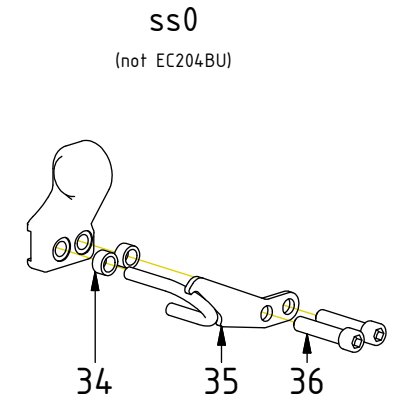
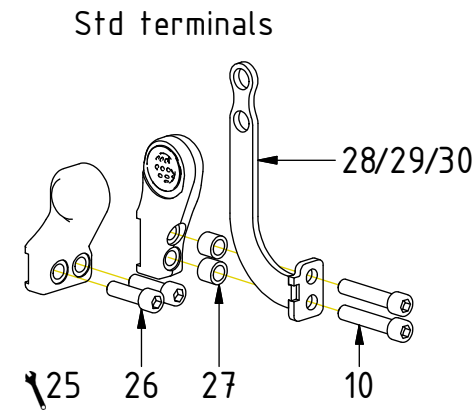
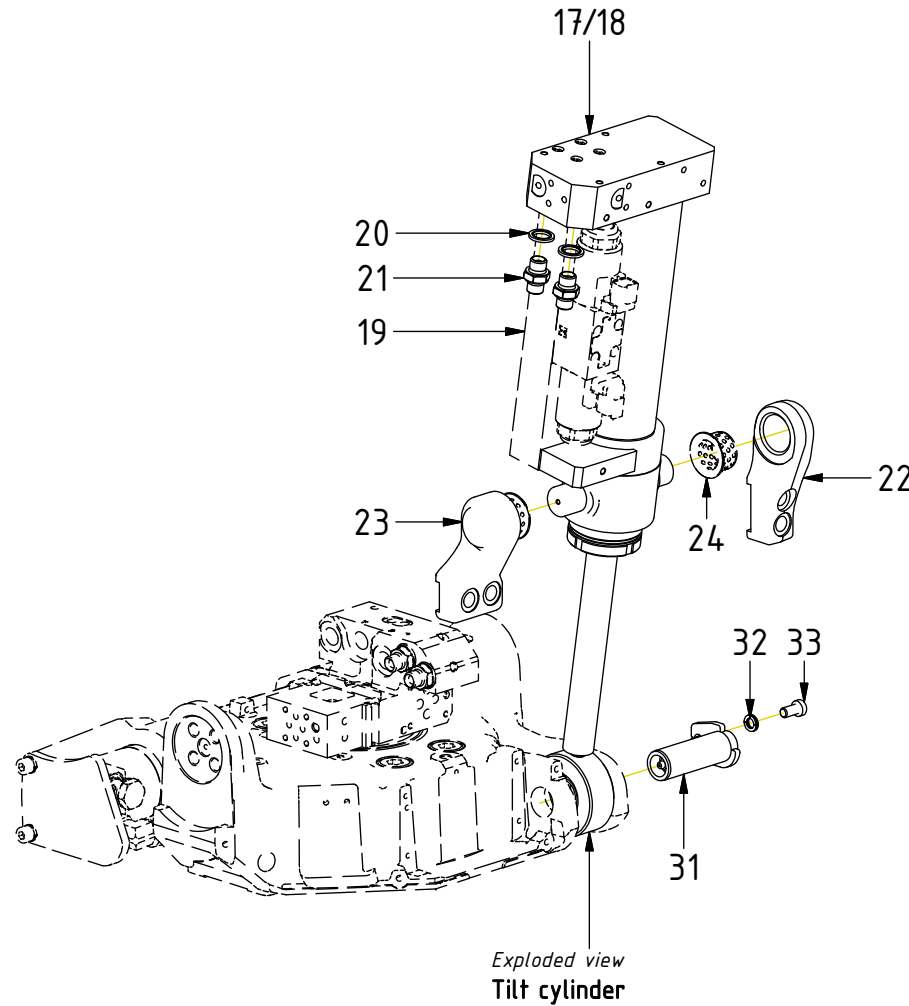
POS	DESCRIPTION	PART	QTY	COMMENTS
1	SEAL SKF PAK 80x90x7-L	1076113	1	NB! Face groove toward top part (Incl. in Top part)
2	Bushing 55/60x25 WB802	6000004	2	(Incl. in Top part)
4	Shim tilt axle	1027820	1	Use as required
5	Axial washer tilt	1027785	1	
6	Washer NL 6mm	611039	18	QTY: 8 for EC204BU
7	Screw MC6S M6x25 12.9	6000083	2	
8	O-ring 9,92x2,62	710968	2	
9	Tilt axle EC204B	1074348	2	
10	Screw MC6S M12x60 12.9 ZFSL	6000140	10	Torque: 136Nm QTY: 8 when EC-Oil or EC204BU
11	Cover Tilt axle EC204B	1074349	1	
12	Protection plate tiltaxle EC204BU	1080917	1	For EC204BU
13	Screw MC6S M6x16 12.9 ZFSL	6000017	8	
14	Hose terminal EC204 right	1045070	1	Without EC-Oil
15	Washer NL 10mm	611041	2	Without EC-Oil
16	Screw M6S M10x20 8,8 FZB	610141	2	Without EC-Oil

POS in order of assembly

EC204B - Std. Top components

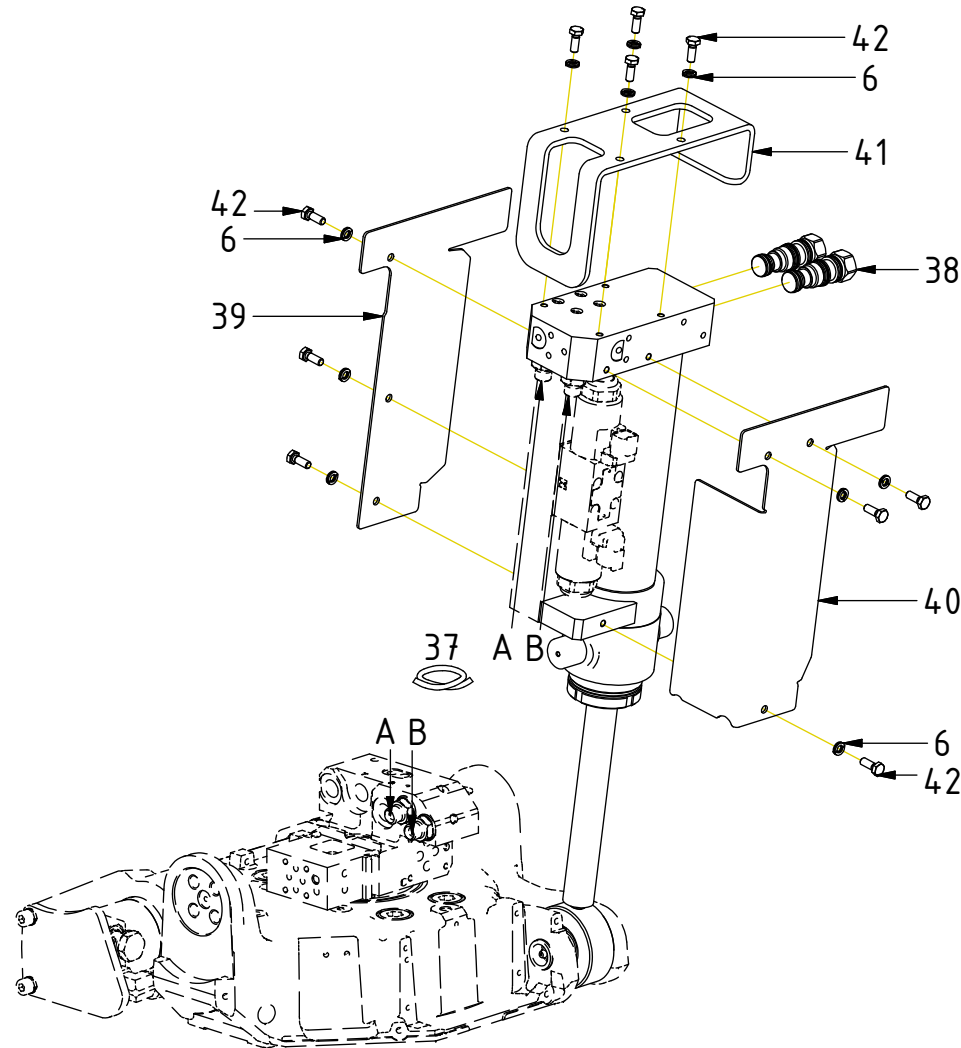
POS in order of assembly

POS	DESCRIPTION	PART	QTY	COMMENTS
3	For EC204BU cyl. w. block w. covers			See "Control system"
10	Screw MC6S M12x60 12.9 ZFSL	6000140	10	Torque: 136Nm QTY: 8 when EC-Oil or EC204BU
17	Tilt cylinder EC204B	1077744	1	
18	Tilt cylinder EC204/EC204BU	1029849	1	
19	Valve block tilt cylinder EC204B	1075504	1	Part of control system
20	Washer GBR04 1/4	710702	2	
21	Adapter 138-04-29 (1/4")	710135	2	
22	Yoke EC204 rear compl.	1036606	1	(POS.24 incl.)
23	Yoke EC204 front compl.	1029052	1	(POS.24 incl.)
24	Bushing BWG-F 25/31/38/1,5x20	6000001	2	
25	For EC-Oil (no terminals) or for EC204BU			See "Top part" QS40
26	Screw MC6S M12x40 12.9 ZFSL	6000141	2	Torque: 136Nm
27	Spacer yD=19 t=3 L=15	1009999	2	
28	Hose terminal EC204B Left - QS40	1053732	1	
29	Hose terminal EC204B Left - UNI	1079699	1	
30	Hose terminal EC204B Left - CW05	1079664	1	
31	Cylinder axle	1075902	1	
32	Washer NL 8mm	611040	1	
33	Screw MLC6S M8x16 10.9 FZB	6000220	1	
34	Spacer yD=19 t=3 L=10	1071704	2	
35	Hose guide EC204B	1078845	1	
36	Screw MC6S M12x55 12.9 ZFSL	6000155	2	Torque: 136Nm



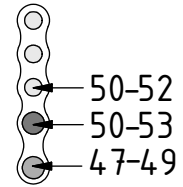
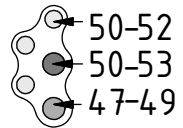
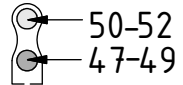
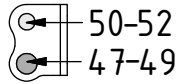
EC204B - Std. Top components

TILT

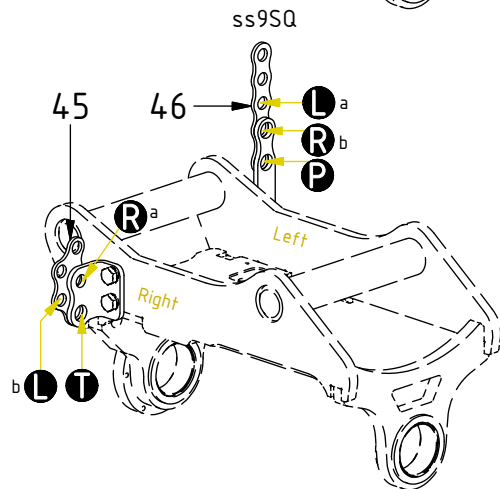
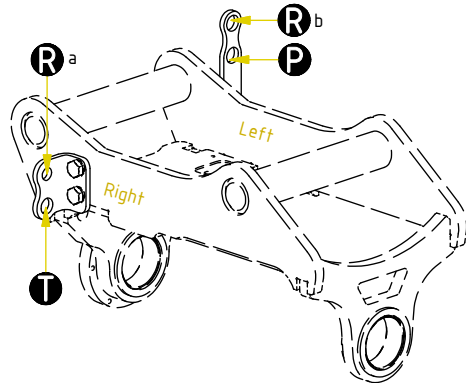
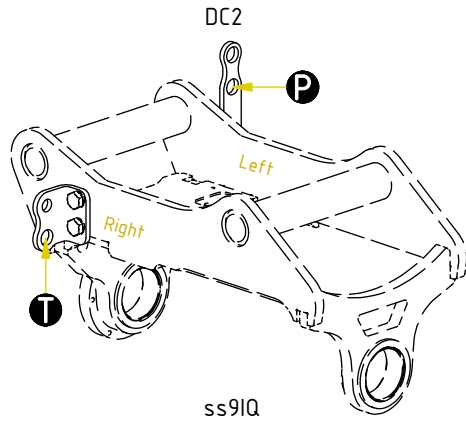


POS	DESCRIPTION	PART	QTY	COMMENTS
3	For EC204BU cyl. w. block w. covers			See "Control system"
6	Washer NL 6mm	611039	18	QTY: 8 for EC204BU
37	Hose Tilt	7001990	2	For DC2, ss9
38	Overcenter valve	7000647	2	Torque: 45Nm
39	Cover tilt cylinder Right	1076686	1	
40	Cover tilt cylinder Left	1076687	1	
41	Hose protection Tiltcylinder	1075507	1	
42	Screw M6S M6x16 10.9 untreated	610109	10	

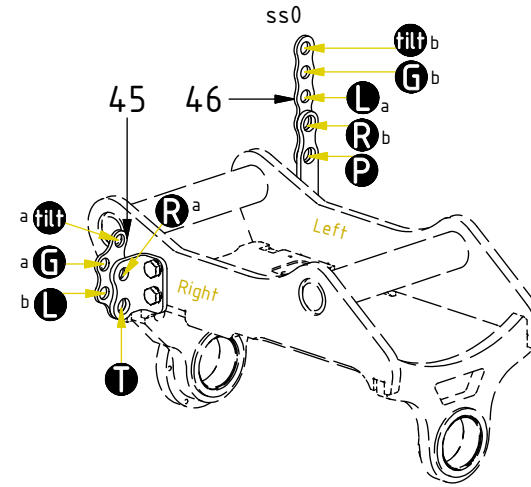
POS in order of assembly



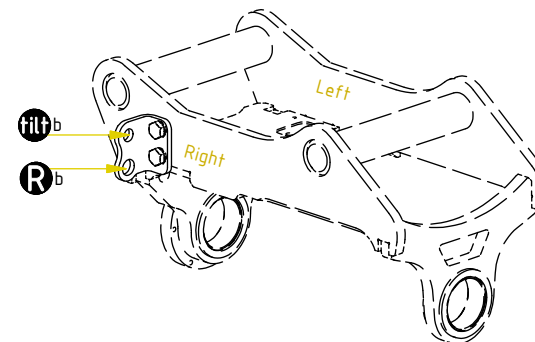
FEED



POS	DESCRIPTION	PART	QTY	COMMENTS
43	For EC-Oil (no terminals)			See "Top part" QS40
44	For Functions & Feed Hoses			See "Control system"
45	Terminal extender 2x3/8, 3x1/4	1079468	1	
46	Terminal extender 2x3/8, 3x1/4	1079464	1	
47	Washer NL 16mm	611044	2	
48	Adapter 1260-06-43 (3/8")	710262	2	
49	Counternut 1270-06 (3/8")	710252	2	
50	Adapter 1260-04-40 (1/4")	710261	2	QTY depends on config.
51	Counternut 1270-04 (1/4")	710250	2	QTY depends on config.
52	Washer NL 1/2"	611096	2	QTY depends on config.
53	O-ring 12,37x2,62	710961	2	



EC204BU ss0

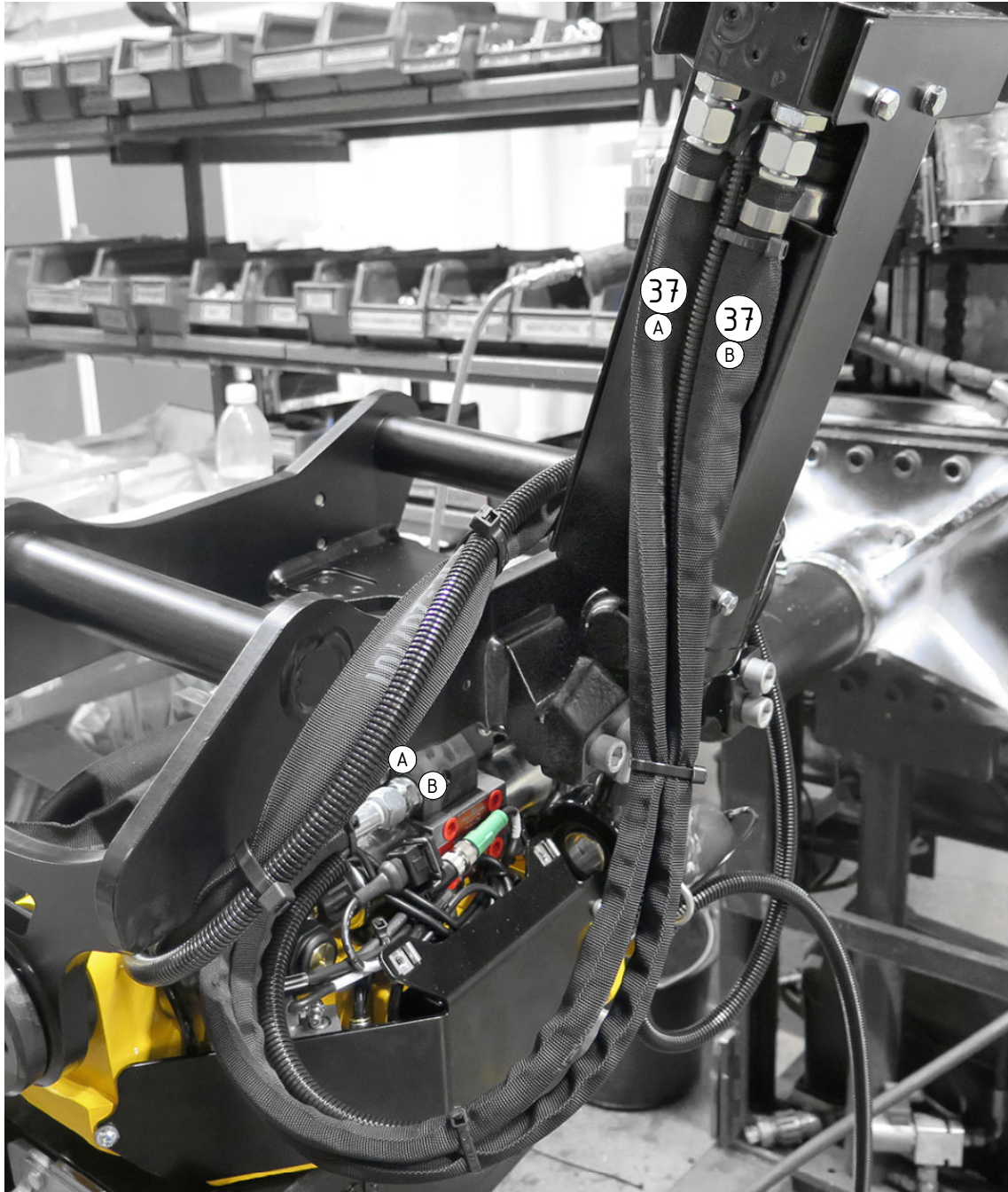


POS in order of assembly

TILT

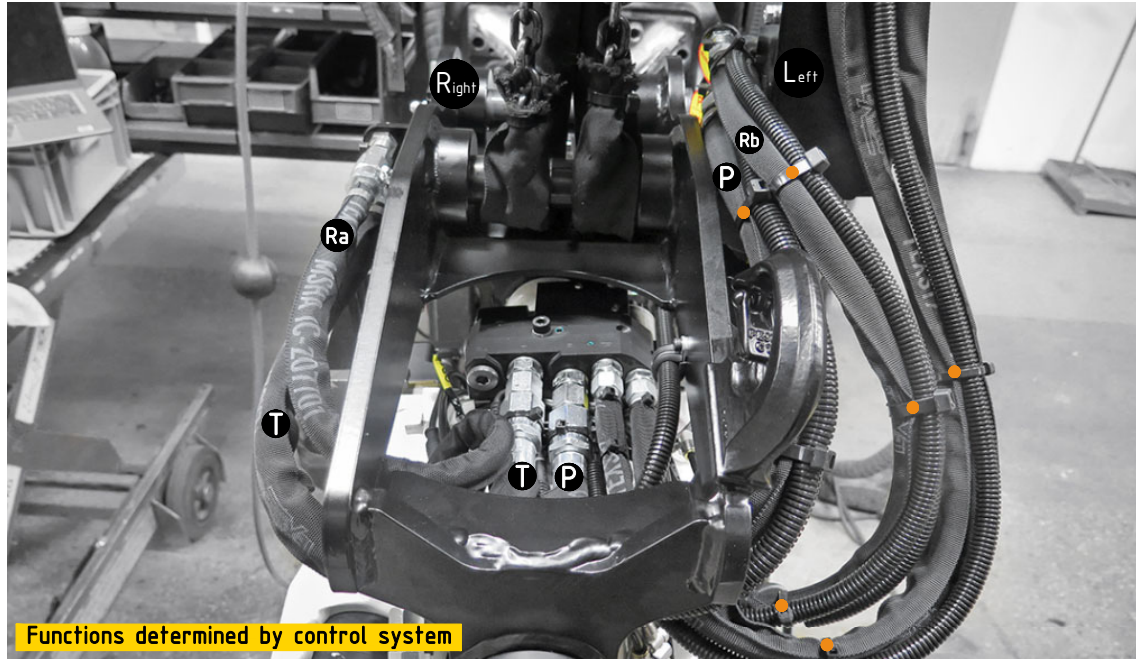
POS	DESCRIPTION	PART	QTY	COMMENTS
37	Hose Tilt	7001990	2	For DC2, ss9

POS in order of assembly

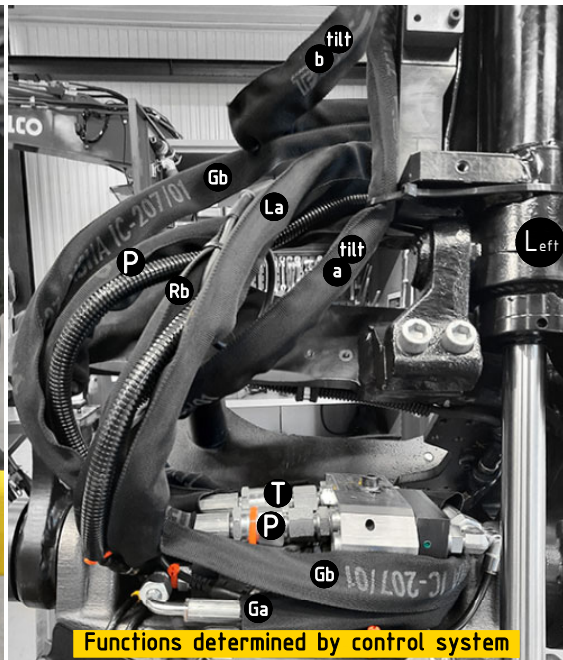
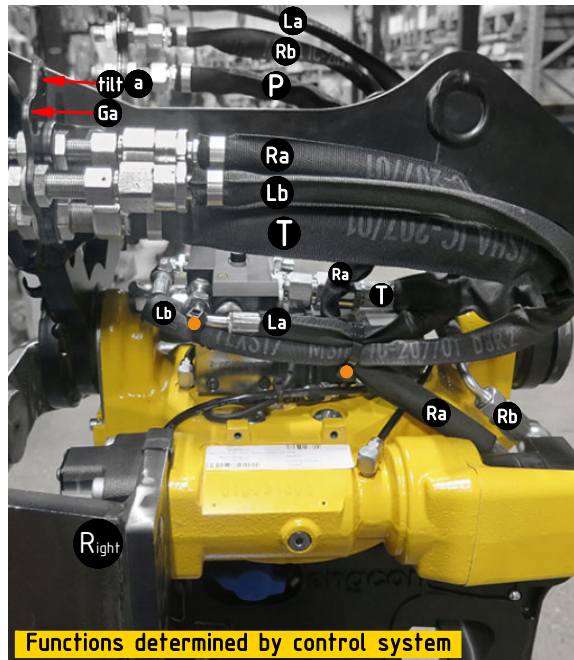
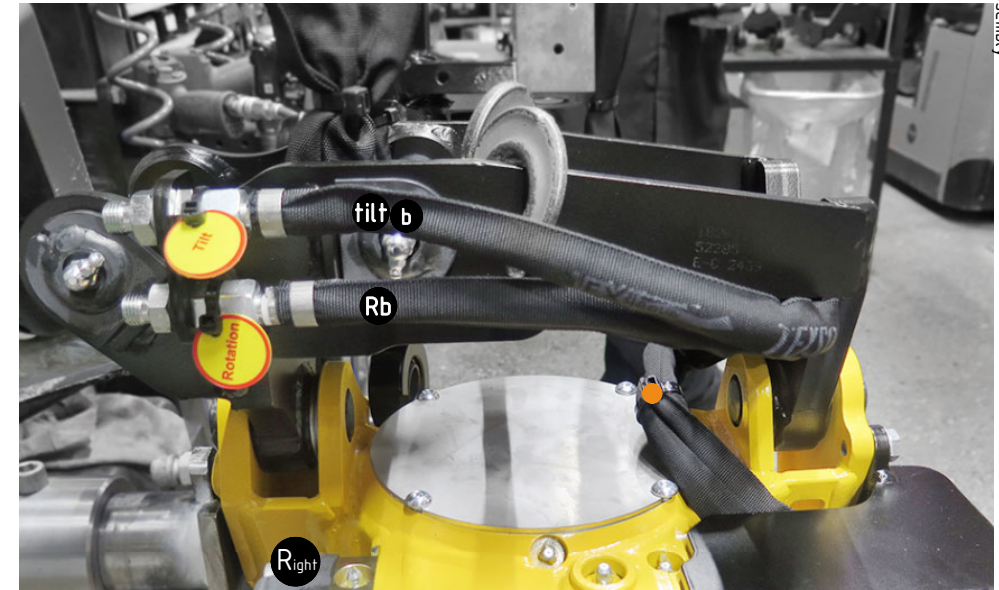


FEED

POS	DESCRIPTION	PART	QTY	COMMENTS
43	For EC-Oil (no terminals)			See "Top part" QS40
44	For Functions & Feed Hoses			See "Control system"
● Use cable ties				



EC204BU ss0:



POS in order of assembly