

COVERSHEET

Planned document changes:

Briefly:

2026-05-06. Correct part no for POS.45: 610122 (8x16).

2026-03-09. POS.8 will be divided to two parts: 1080806 with 1080807. (Backwards compatible).

2025-11-26. Correct part no for POS.16: 1072285.

2024-08-21. Correct QTY for POS.62-63: QTY 2.

2024-03-08. Page 3-4: show POS.14 in parts list.

Document changes:

Date:	Change:	Rev. after change:
2024-02-26	Details for EC226S clarified. (EC226 with ePS sensors).	F
2020-10-21	Screw lengths corrected. Photos added.	E
2019-01-07	New terminal & -placement. Spare parts page added.	D
2017-08-30	Reference for S2&27 added. Hoses for Wide updated.	C
2017-08-24	Reference for EC226R added.	B
2017-08-08	Layout/irrelevant.	A
2017-07-11	New document.	-

Readers note:

Indicates instruction.

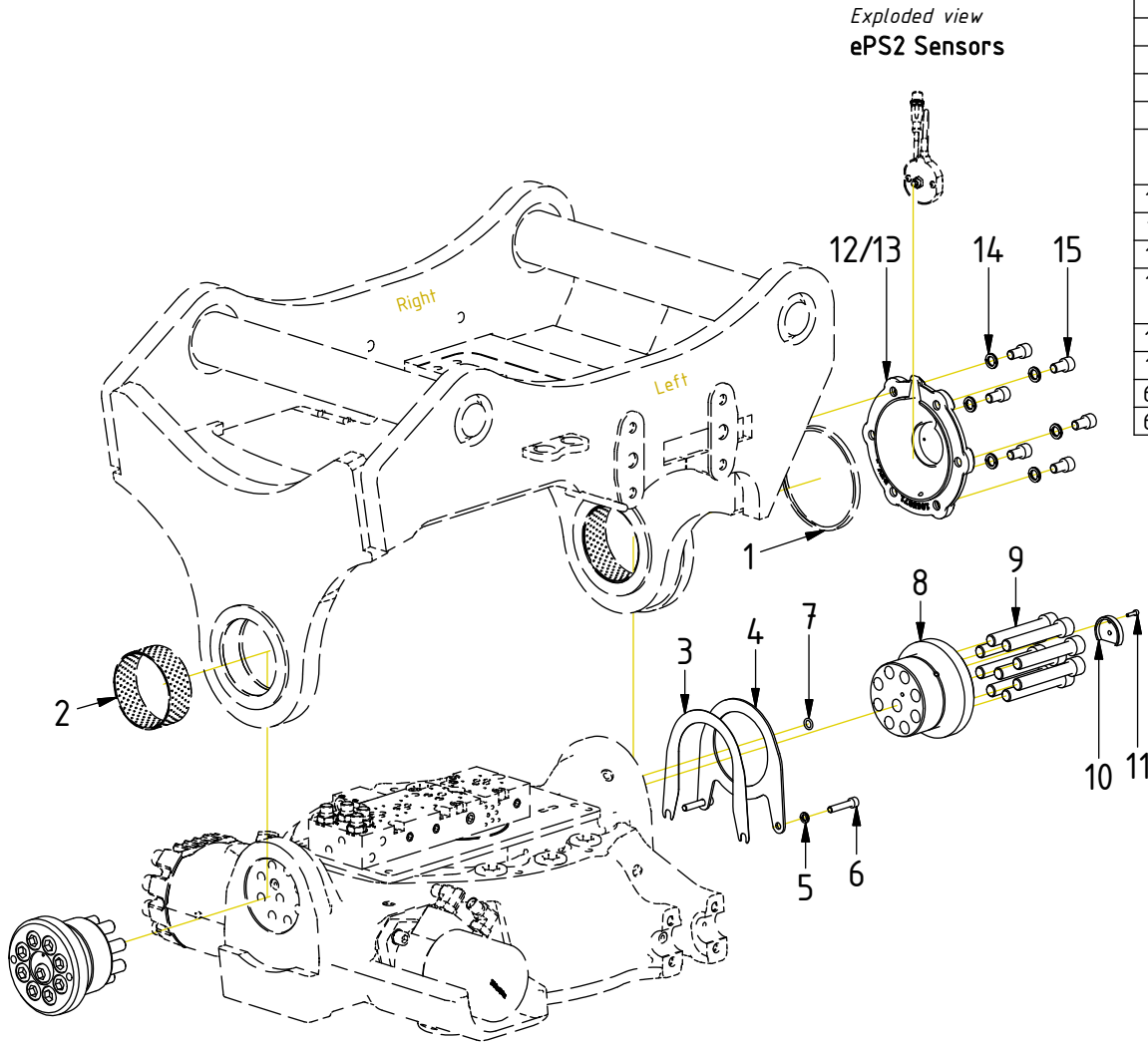


Represents Hose.

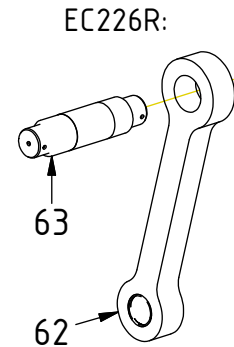
Dashed lines for overview, mounts
on other pages/assemblies.

EC226 ECHF - Std. Top components

POS in order of assembly



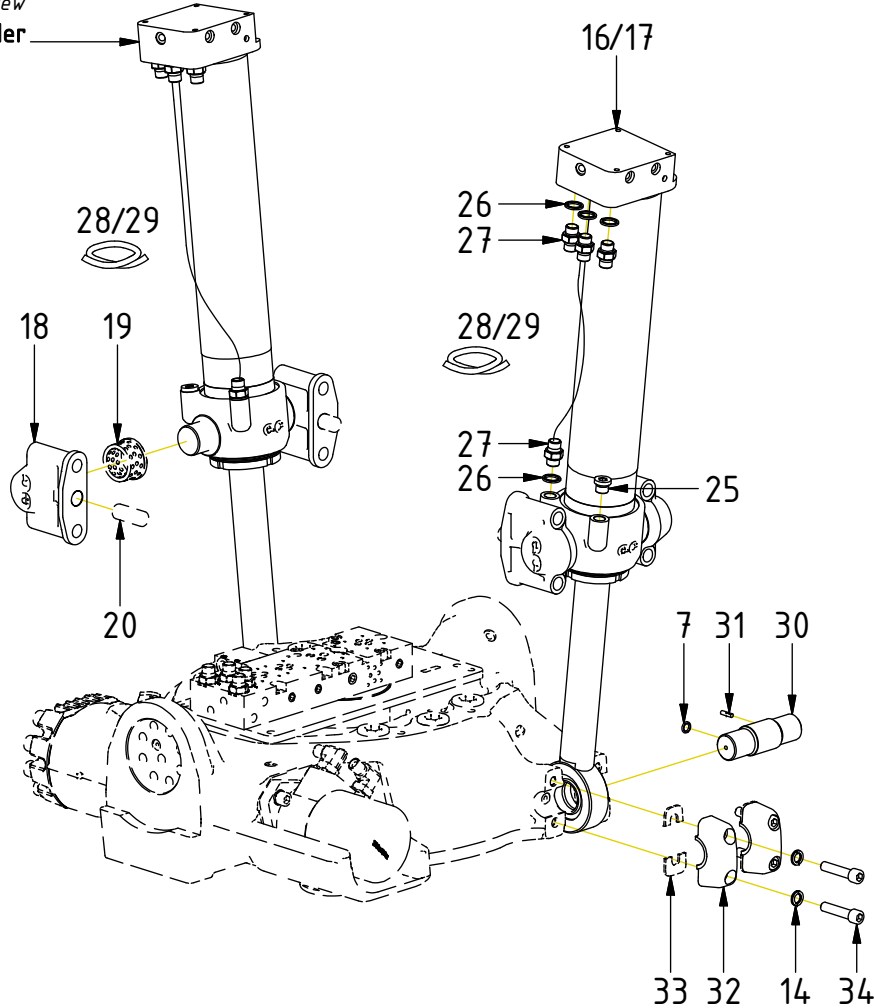
POS	DESCRIPTION	PART	QTY	COMMENTS
1	Seal PAK-130x140x7-L	1064208	1	NB! Face groove toward top part (Incl. in Top part)
2	Bushing WB802 100/105 L40	630320	2	(Incl. in Top part)
3	Shim tilt axle	1011244	1	Use as required
4	Tilt axial washer	1011238	1	
5	Washer NL 8mm	611040	10	
6	Screw MC6S M8x40 12.9 ZFSL	6000145	2	
7	O-ring 9,92x2,62	710968	4	QTY: 8 for option Wide
8	Tilt axle EC226	1064205	2	
9	Screw MC6S M16x100 12.9 ZFSL	6000156	26	QTY: 22 for ss0, ss9, SQ,ST,SX,SG Torque: 333Nm
10	Magnet spacer tilt axle	1064185	1	For EC226S
11	Screw MC6S M4x14 8,8 FZB	610420	1	For EC226S
12	Cover tiltaxle EC226 Cast	1065871	1	For EC226S
13	Protection plate tilt axle EC226	1064718	1	For EC226/EC226PS Face the groove downwards
14	Washer NL 12mm	611042	16	
15	Screw MC6S M12x20 12.9 ZFSL	6000356	6	
62	Rotator arm compl.	1023682	1	Instead of tilt cylinders
63	Axle rotator arm	1011553	1	



EC226 ECHF - Std. Top components

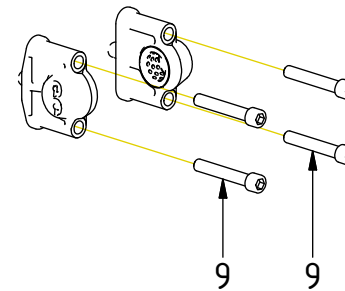
Standard

Exploded view
Tilt cylinder

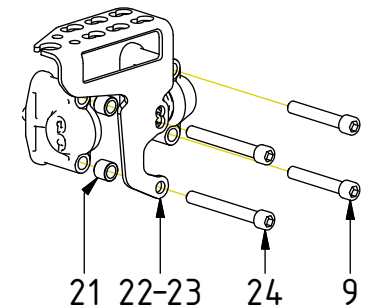


POS	DESCRIPTION	PART	QTY	COMMENTS
7	O-ring 9,92x2,62	710968	4	QTY: 8 for option Wide
9	Screw MC6S M16x100 12.9 ZFSHL	6000156	26	QTY: 22 for ss0, ss9, SQ,ST,SX,SG Torque: 333Nm
16	Tilt cylinder EC226	1019884	2	
17	Tilt cylinder EC226 S2/27	1026747	2	
18	Yoke EC226 complete	1017151	4	(POS.19-20 incl.)
19	Bushing 40/50/55/5-30	631001	4	
20	Cylindrical pin \varnothing 20x50	650211	4	
21	Spacer 20mm	1023777	4	
22	Hose terminal 8-hoses Left V2	1047137	1	
23	Hose terminal 8-hoses Right V2	1047138	1	
24	Screw MC6S M16x130 12.9 ZFSHL	6000154	4	Torque: 333Nm
25	Plug 70125-06 (3/8")	711504	2	
26	Washer GBR06 3/8	710703	8	QTY: 2 for option Wide
27	Adapter 136-06-06 (3/8")	710106	8	QTY: 2 for option Wide
28	Hose Tilt Short	742308	2	
29	Hose Tilt Short S2/27	742606	2	
30	Cylinder axle \varnothing 40	1016398	2	
31	Slotted pin 5x20	640413	2	QTY: 4 for option Wide
32	Clamping half 35 Complete	1016393	4	(POS.33 incl.)
33	Rubber spacer clamping half	1016439	4	
34	Screw MC6S M12x55 12.9 ZFSHL	6000155	8	Torque: 136Nm

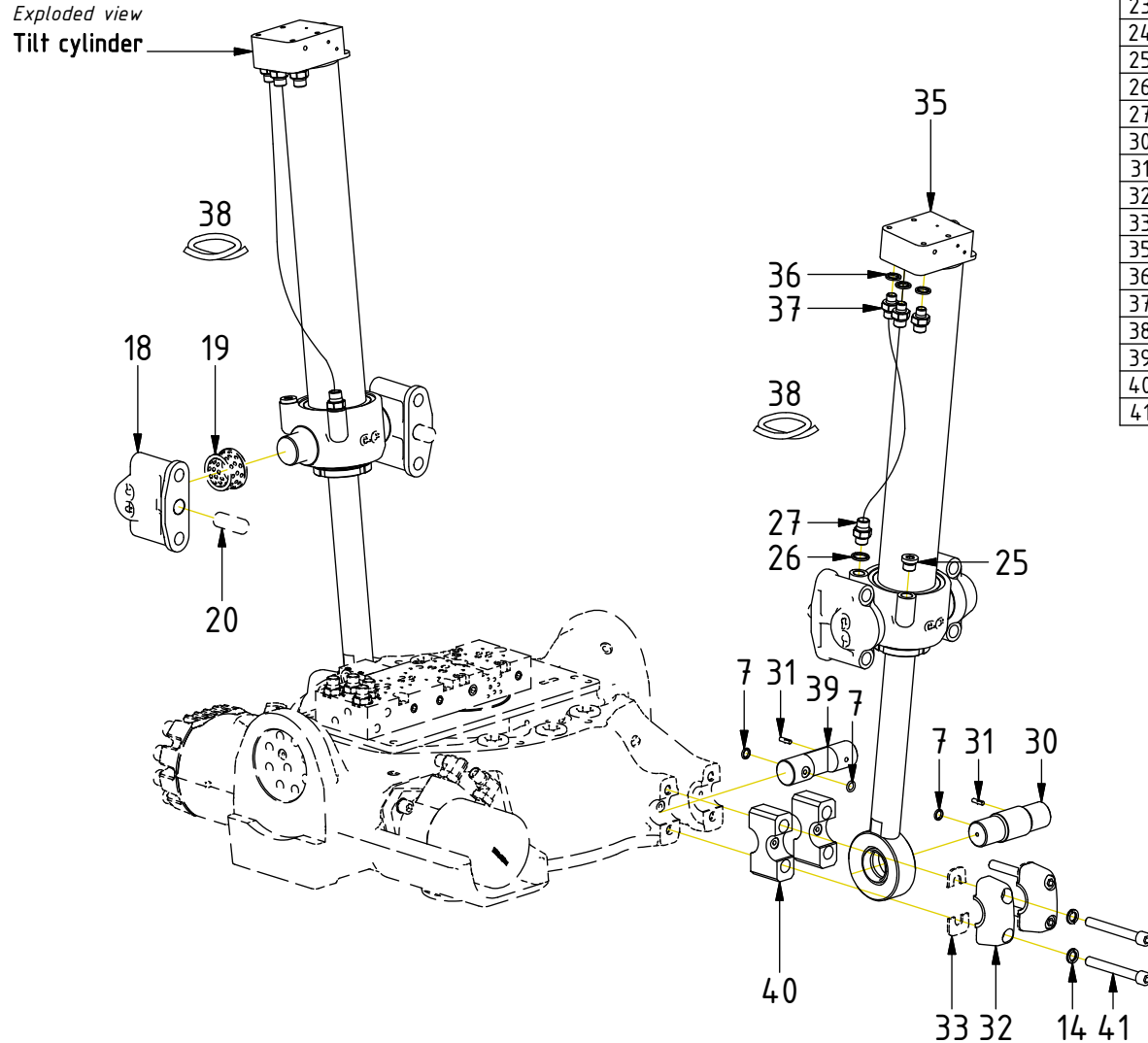
Std fasteners



ss0, ss9, SQ,ST,SX,SG
3/4" (std)

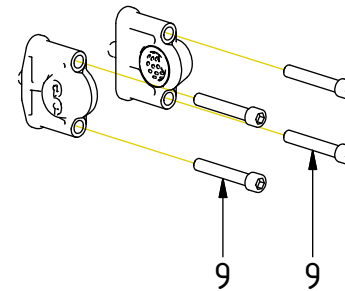


Wide

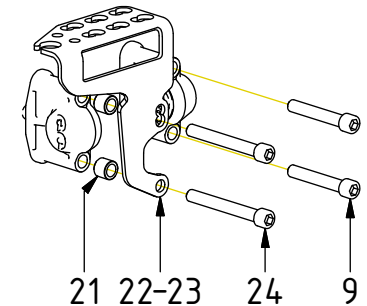


POS	DESCRIPTION	PART	QTY	COMMENTS
7	O-ring 9,92x2,62	710968	4	QTY: 8 for option Wide
9	Screw MC6S M16x100 12.9 ZFSHL	6000156	26	QTY: 22 for ss0, ss9, SQ,ST,SX,SG Torque: 333Nm
18	Yoke EC226 complete	1017151	4	(POS.19-20 incl.)
19	Bushing 40/50/55/5-30	631001	4	
20	Cylindrical pin \varnothing 20x50	650211	4	
21	Spacer 20mm	1023777	4	
22	Hose terminal 8-hoses Left V2	1047137	1	
23	Hose terminal 8-hoses Right V2	1047138	1	
24	Screw MC6S M16x130 12.9 ZFSHL	6000154	4	Torque: 333Nm
25	Plug 70125-06 (3/8")	711504	2	
26	Washer GBR06 3/8	710703	8	QTY: 2 for option Wide
27	Adapter 136-06-06 (3/8")	710106	8	QTY: 2 for option Wide
30	Cylinder axle \varnothing 40	1016398	2	
31	Slotted pin 5x20	640413	2	QTY: 4 for option Wide
32	Clamping half 35 Complete	1016393	4	(POS.33 incl.)
33	Rubber spacer clamping half	1016439	4	
35	Tilt cylinder EC219/226 Wide	1023811	2	
36	Washer GBR04 1/4	710702	10	
37	Adapter 135-04-06 (1/4"-3/8")	710118	6	
38	Hose Tilt Short Wide	7000563	2	
39	Axle for spacer Wide	1016534	2	
40	Spacer tilt cylinder Wide	1016533	4	
41	Screw MC6S M12x100 12.9 ZFSHL	611514	8	Torque: 136Nm

Std fasteners



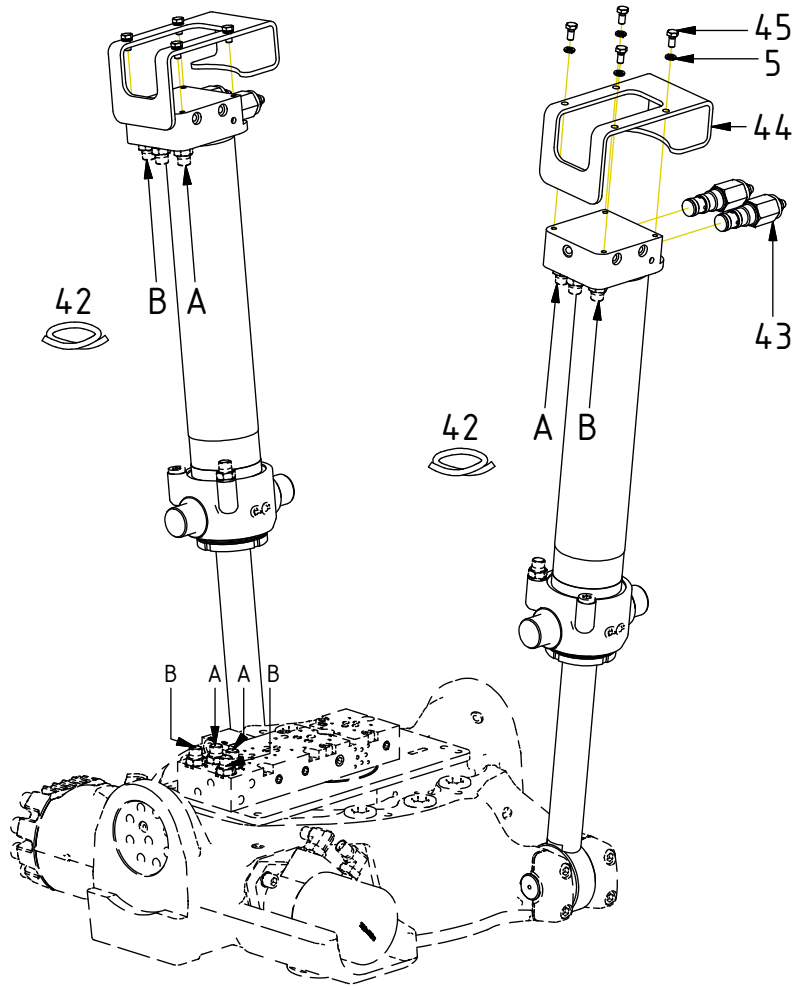
ss0, ss9, SQ,ST,SX,SG
3/4" (std)



TILT
Standard

POS	DESCRIPTION	PART	QTY	COMMENTS
5	Washer NL 8mm	611040	10	
42	Hose Tilt Long	7000031	4	
43	Overcentre valve 4:1	730277	4	Torque: 60Nm
44	Hose protection Tiltcylinder	1014280	2	
45	Screw M6S M8x16 8,8 FZB	610122	8	

POS in order of assembly

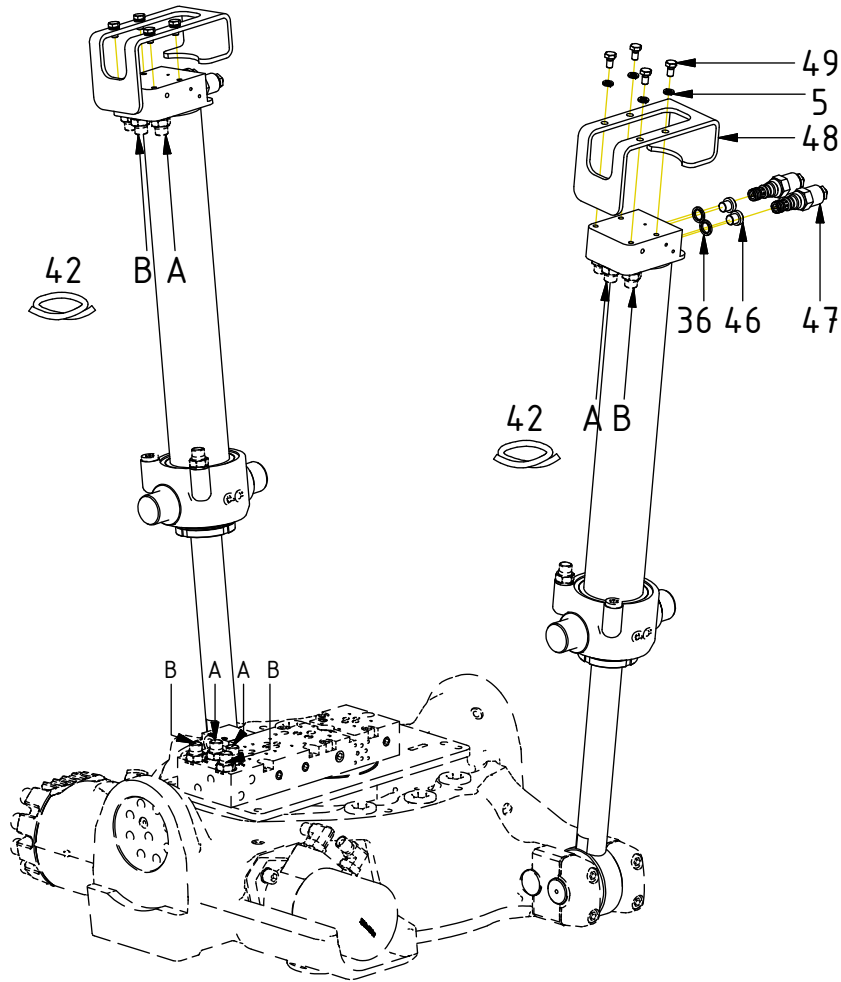


EC226 ECHF - Std. Top components

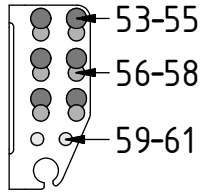
TILT
Wide

POS	DESCRIPTION	PART	QTY	COMMENTS
5	Washer NL 8mm	611040	10	
36	Washer GBR04 1/4	710702	10	
42	Hose Tilt Long	7000031	4	
46	Plug 1/4"	711505	4	
47	Overcentre valve 10:1 adjustable	730269	4	Torque: 45Nm
48	Hose protection Tiltcylinder Wide	1003774	2	
49	Screw M6S M8x14 8,8 FZB	610188	8	

POS in order of assembly

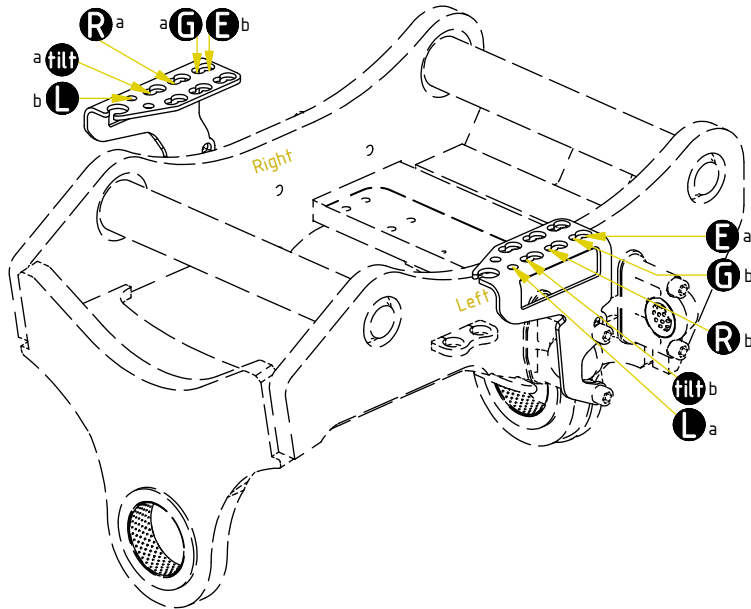


EC226 ECHF - Std. Top components

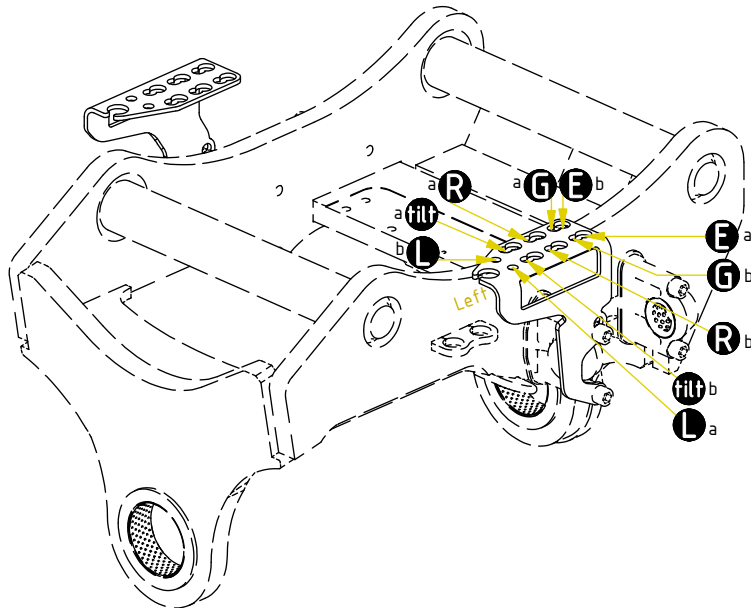


FEED

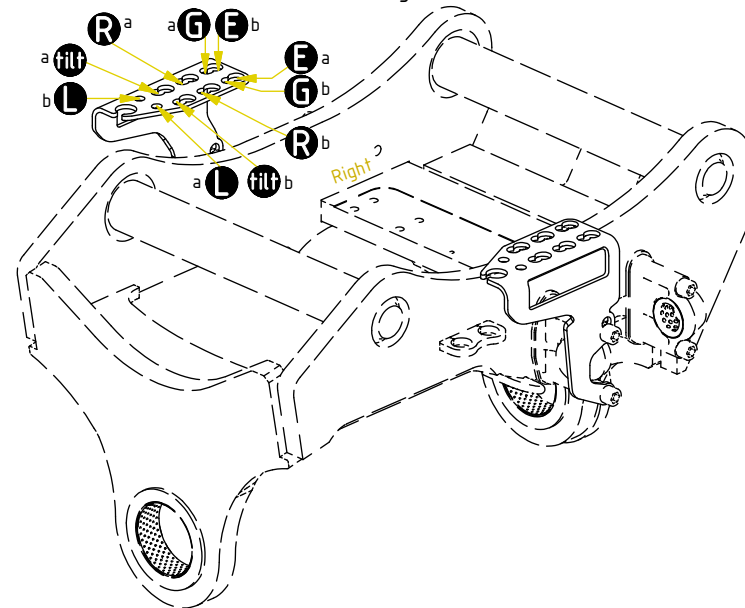
Feed 3/4" (std)



Feed Left



Feed Right

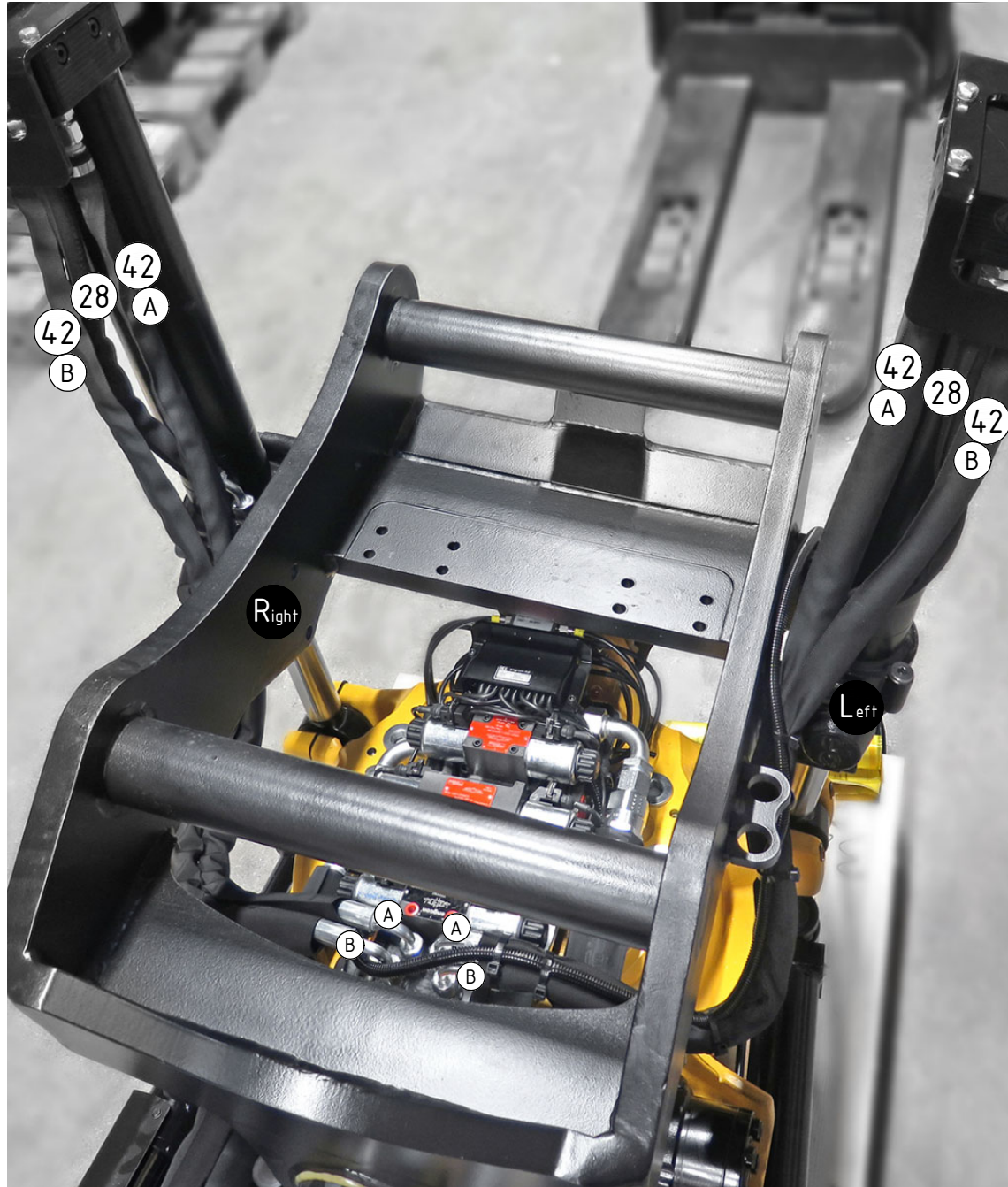


POS	DESCRIPTION	PART	QTY	COMMENTS
50	Main Feed T&P depends on top part			See "Top part"
51	For Feed 1/2" (option)			See "Top part"
52	For Functions & Feed Hoses			See "Control system"
53	Washer NL 20mm	611098	2	
54	Adapter 1260-08-08 (1/2")	710244	2	
55	Counternut 1270-08 (1/2")	710254	2	
56	Washer NL 16mm	611044	2	
57	Adapter 1260-06-32 (3/8")	710242	2	
58	Counternut 1270-06 (3/8")	710252	2	
59	Washer NL 1/2"	611096	2	
60	Adapter 1260-04-04 (1/4")	710240	2	
61	Counternut 1270-04 (1/4")	710250	2	

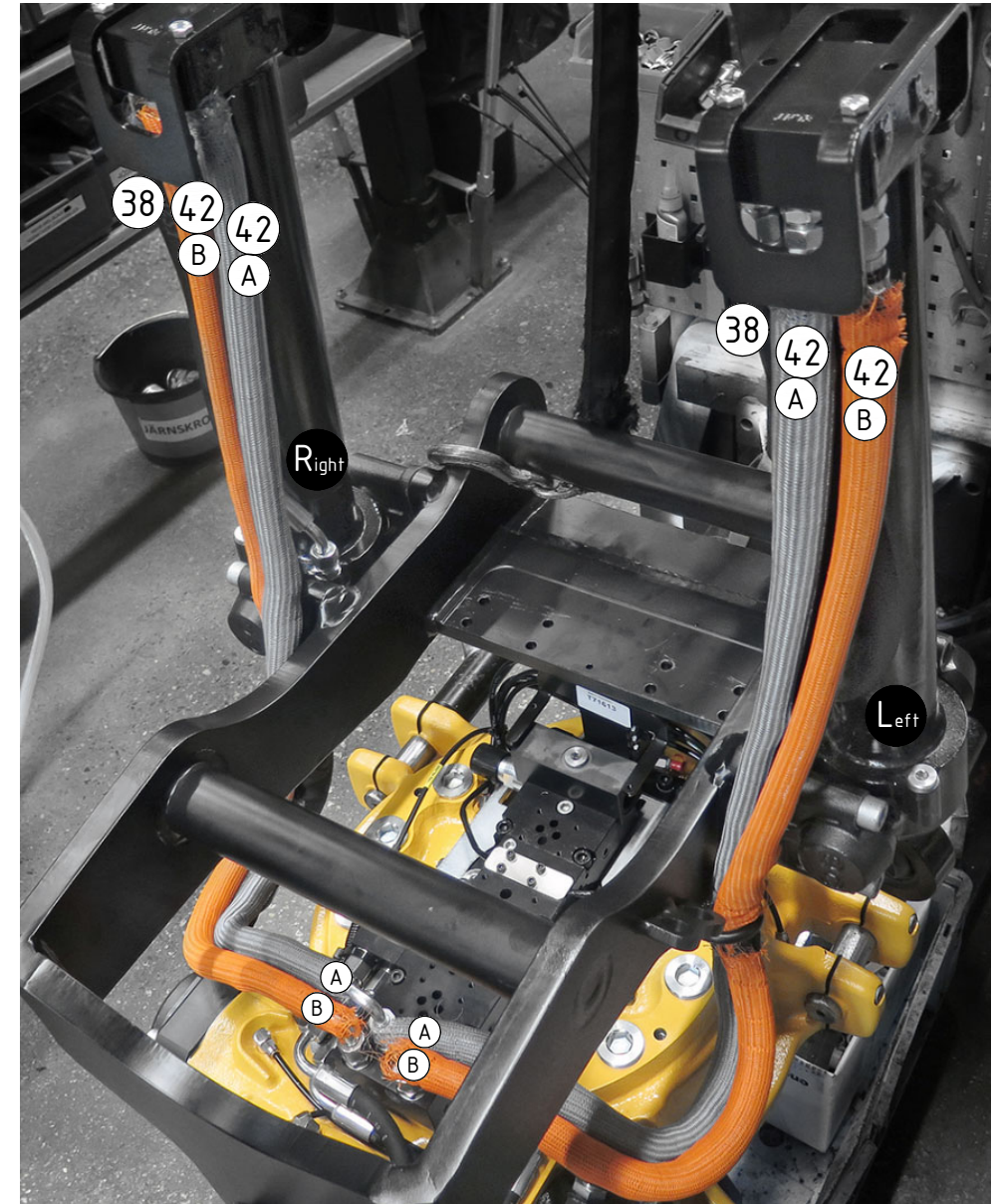
POS in order of assembly

TILT
Standard

POS	DESCRIPTION	PART	QTY	COMMENTS
28	Hose Tilt Short	742308	2	
29	Hose Tilt Short S2/27	742606	2	
38	Hose Tilt Short Wide	7000563	2	
42	Hose Tilt Long	7000031	4	



Wide

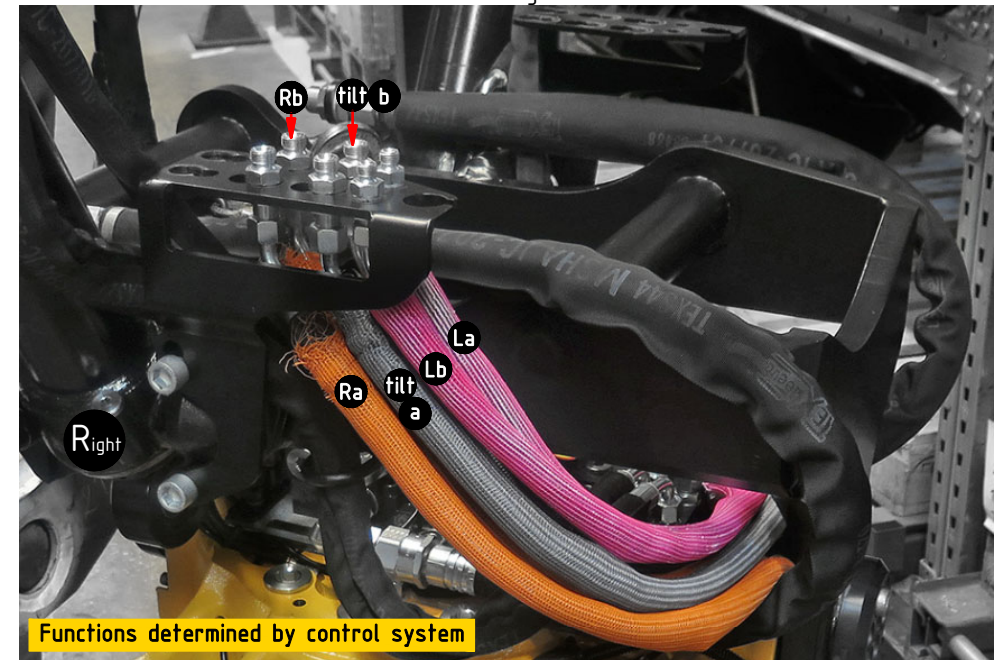
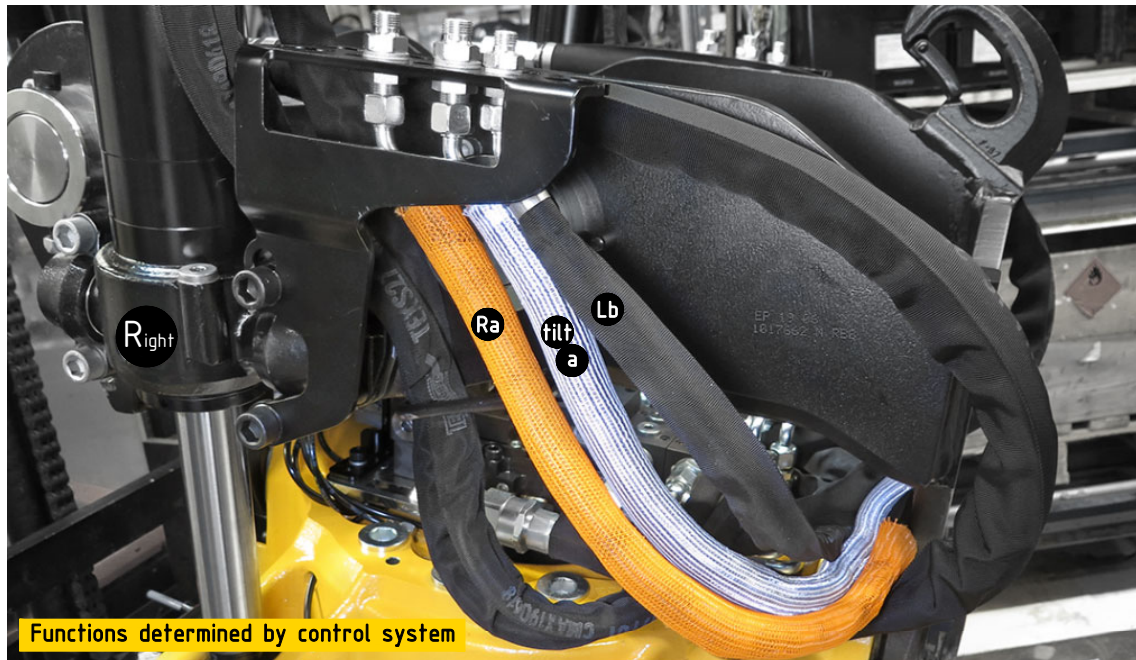
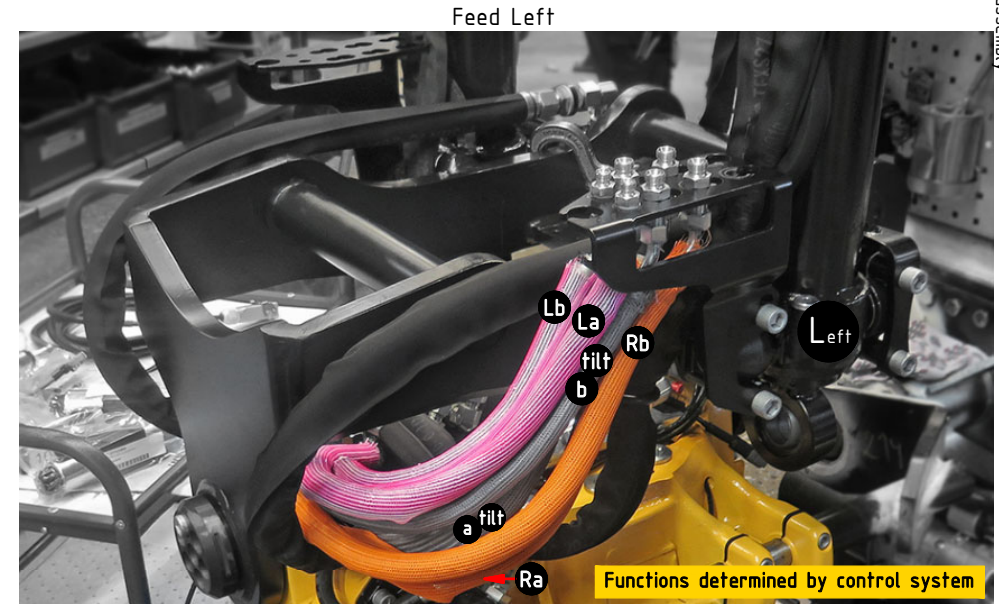
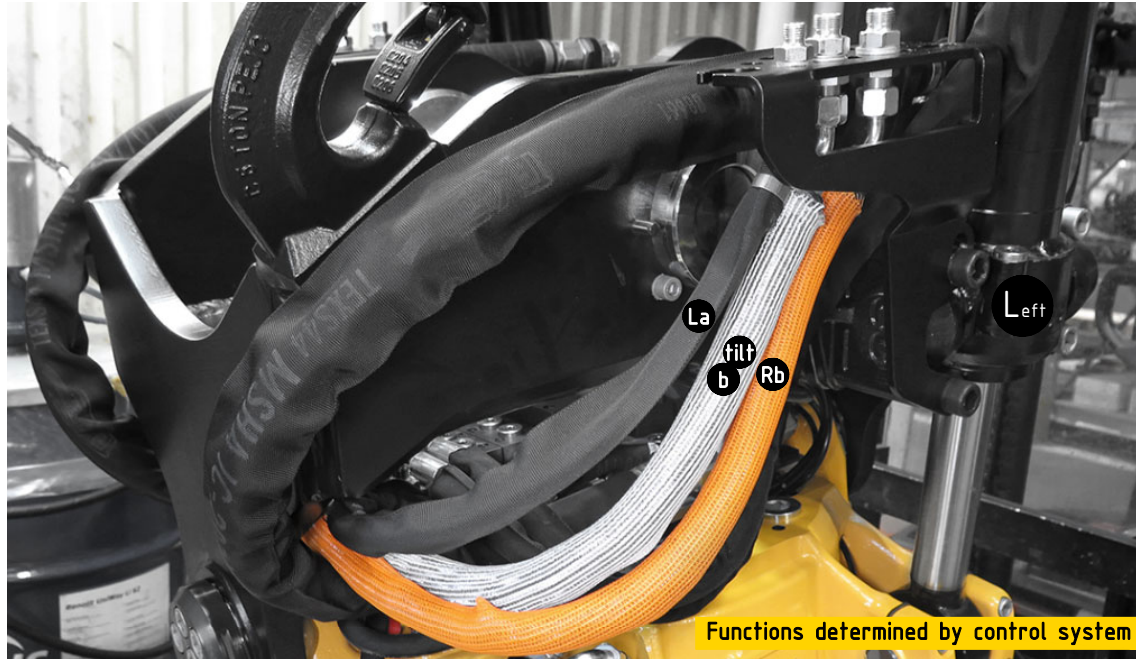


POS in order of assembly

FEED

Feed 3/4" (std)

POS	DESCRIPTION	PART	QTY	COMMENTS
50	Main Feed T&P depends on top part			See "Top part"
51	For Feed 1/2" (option)			See "Top part"
52	For Functions & Feed Hoses			See "Control system"



POS in order of assembly

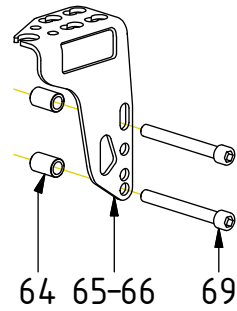
SPARE PARTS

Replaced from 2018-05

ss0, ss9, SQ, ST, SX, SG

POS	DESCRIPTION	PART	QTY	COMMENTS
21	Spacer 20mm	1023777	4	
22	Hose terminal 8-hoses Left V2	1047137	1	
23	Hose terminal 8-hoses Right V2	1047138	1	
64	Spacer 39mm	1005911	4	Replaced by POS.21 from 2018-08
65	Hose terminal 6 holes left	1005725	1	Replaced by POS.22 from 2018-05
66	Hose terminal 6 holes right	1005726	1	Replaced by POS.23 from 2018-05
67	Hose terminal 8 hoses left	1038105	1	Replaced by POS.22 from 2018-05
68	Hose terminal 8 hoses right	1038106	1	Replaced by POS.23 from 2018-05
69	Screw MC6S M16x140 12.9	610576	4	Replaced from 2018-08

POS in order of assembly



ss0 Grab

