

## COVERSHEET

## Planned document changes:

**Briefly:**

No planned changes.

## Document changes:

<b>Date:</b>	<b>Change:</b>	<b>Rev. after change:</b>
2025-11-12	Spare parts corrected.	D
2023-05-25	Coversheet added.	C

*Readers note:*

Indicates instruction.

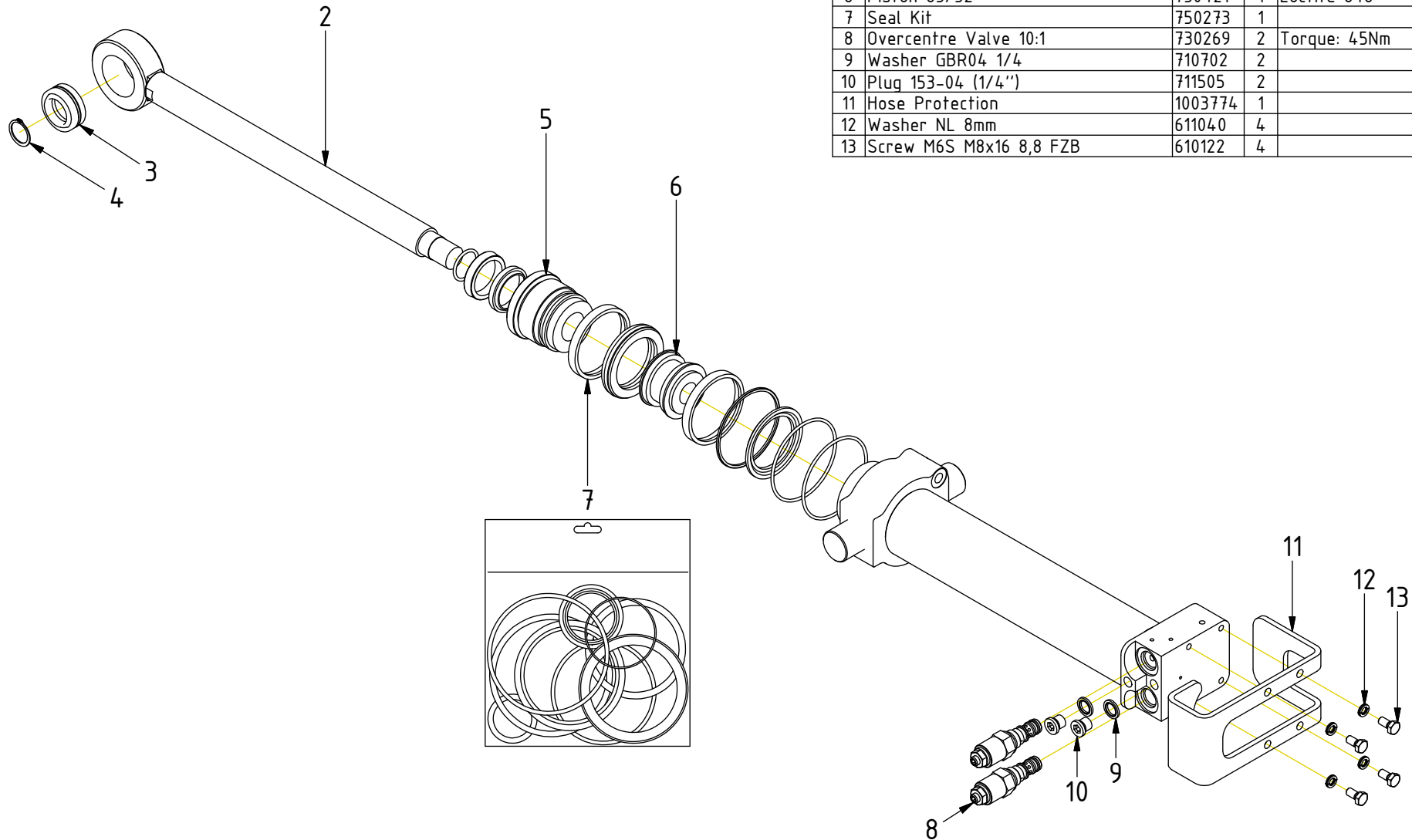


Represents Hose.

Dashed lines for overview, mounts  
on other pages/assemblies.

# Tilt cylinder - EC209

POS	DESCRIPTION	PART	QTY	COMMENTS
1	Tilt cylinder EC209	1019630	1	(POS.2-7 incl.)
2	Piston rod	1019652	1	
3	Joint Bearing	620104	1	
4	Circlip	640204	1	
5	Top nut $\varnothing 63/32$	750307	1	Loctite 648
6	Piston 63/32	750421	1	Loctite 648
7	Seal Kit	750273	1	
8	Overcentre Valve 10:1	730269	2	Torque: 45Nm
9	Washer GBR04 1/4	710702	2	
10	Plug 153-04 (1/4")	711505	2	
11	Hose Protection	1003774	1	
12	Washer NL 8mm	611040	4	
13	Screw M6S M8x16 8,8 FZB	610122	4	

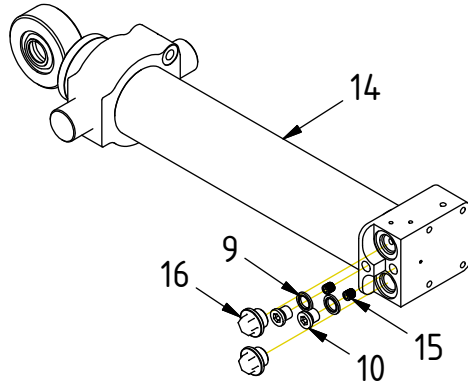


POS in order of assembly

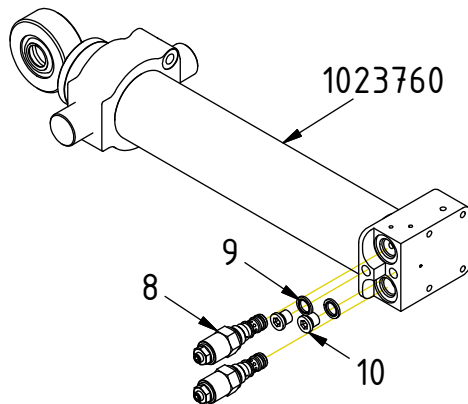
## RELATED SPARE PARTS

POS	DESCRIPTION	PART	QTY	COMMENTS
1	Tilt cylinder EC209	1019630	1	(POS.2-7 incl.)
8	Overcentre Valve 10:1	730269	2	Torque: 45Nm
9	Washer GBR04 1/4	710702	2	
10	Plug 153-04 (1/4")	711505	2	
14	Tilt cylinder EC209 incl. Plugs	1023761	1	Used until 2017-01 (POS.2-7, 9-10, 15-16 incl.)
15	Plug 1/8 BSPT	711523	2	
16	Plug M20x1,5 w. o-ring	1022297	2	

Tilt cylinder incl. Plugs



Tilt cylinder incl. Overcentre



POS in order of assembly