

COVERSHEET

Planned document changes:

Briefly:

No planned changes.

Document changes:

Date:	Change:	Rev. after change:
2025-09-04	QSM block details updated.	J
2023-04-27	QSM50 added.	I
2022-02-10	Fastening details for QSM cover plate added.	H
2021-12-06	ALU blocks updated to cast.	G
2020-09-22	QS50 screws for block updated.	F
2020-09-14	Screws updated to ZFSHL.	E
2020-03-31	Screws for coverplate corrected.	D
2020-03-26	Couplings replaced. Spare parts added.	C
2020-02-19	QSM45 added.	B
2019-03-13	Missing torques and glue added.	A
2018-03-27	New document.	-

Readers note:

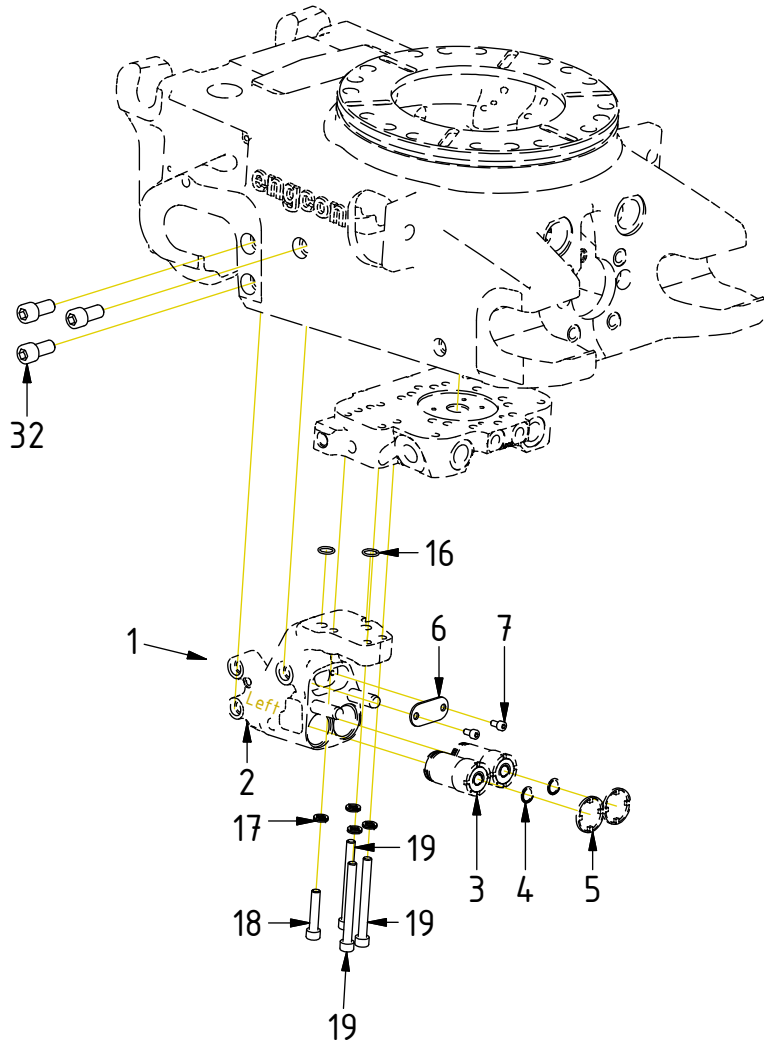
Indicates instruction.



Represents Hose.

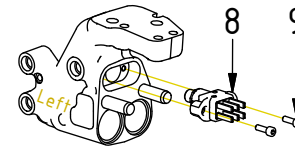
Dashed lines for overview, mounts
on other pages/assemblies.

QSM45

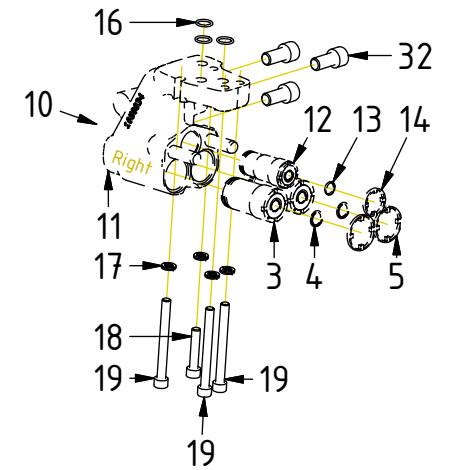


POS	DESCRIPTION	PART	QTY	COMMENTS
1	Bl. 45/50W Hitch QSM 2hy. L Compl.	1063741	1	(POS.2-3, 5 incl.)
2	Block ECO45/50 W Hitch QSM Left	1058900	1	
3	Coupling ECO W 3/8" V3	1053029	2	Torque: 60Nm. (POS.4 incl.)
4	Flat sealing for ECO W 3/8" V3	1052976	2	
5	Dirt protection block ECO 3/8"	1028274	2	
6	Cover plate powerplug QSM	1049191	1	
7	Screw MC6S M5x10 12.9	610594	2	
8	Power Plug ECO45/50 W QSM	1050792	1	Connect to slip ring QSM
9	Screw MC6S M5x16 12.9	610401	2	Loxéal 55-02
10	Bl. ECO45W Hitch QSM 2hy. R Compl.	1063740	1	(POS.3, 5, 11 incl.)
11	Block ECO45 W Hitch QSM Right	1058935	1	
12	Coupling ECO 1/4" V3	1053683	1	Torque: 60Nm. (POS.13 incl.)
13	Flat sealing for ECO 1/4" V3	1053936	1	
14	Dirt protection block ECO 1/4"	1054419	1	
16	O-ring 12,42x1,78	710973	2	QTY: 3 on QSM45 Right block
17	Washer NL 8mm	611040	4	
18	Screw MC6S M8x40 12.9 ZFSHL	6000145	1	Torque: 40Nm
19	Screw MC6S M8x80 12.9 ZFSHL	6000285	3	Torque: 40Nm
32	Screw MC6S M12x25 12.9 ZFSHL	6000164	3	Loxéal 83-52. Torque: 136Nm

Option 1 el:

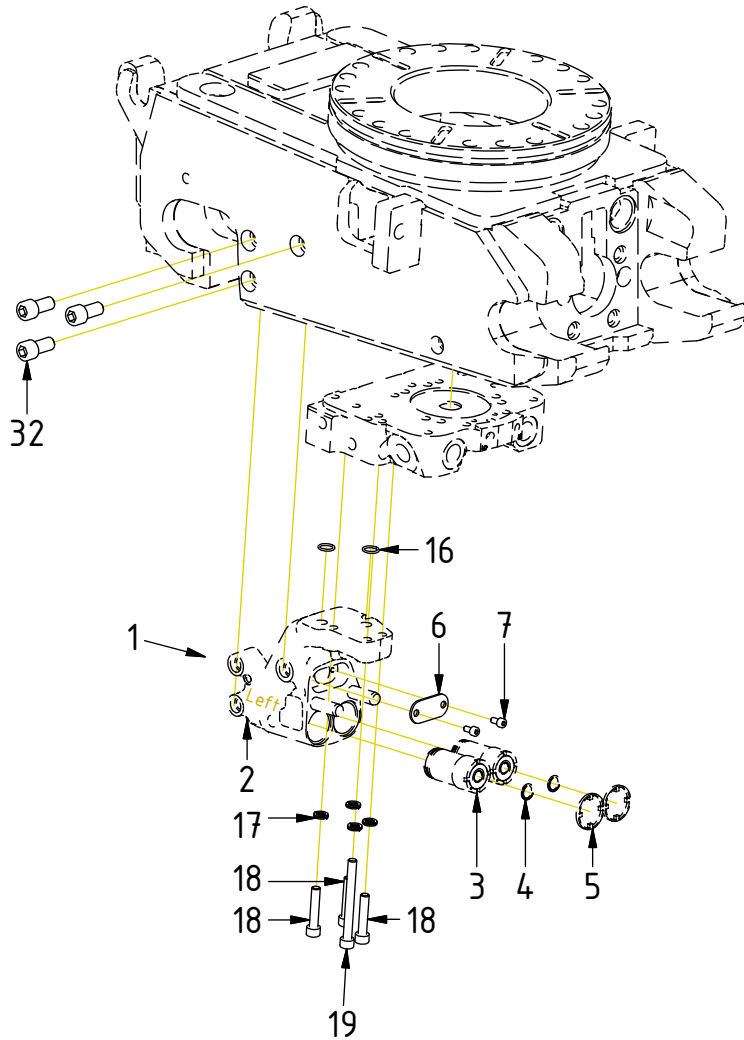


Option 2 bl:



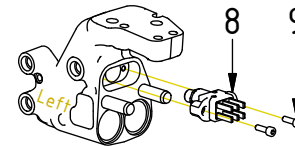
POS in order of assembly

QSM50

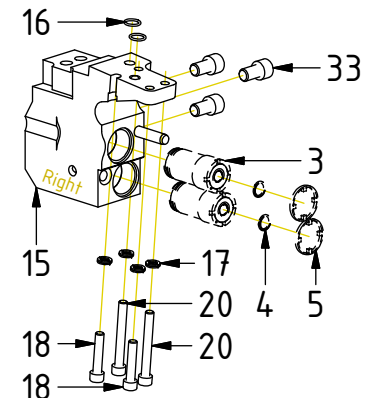


POS	DESCRIPTION	PART	QTY	COMMENTS
1	Bl. 45/50W Hitch QSM 2hy. L Compl.	1063741	1	(POS.2-3, 5 incl.)
2	Block ECO45/50 W Hitch QSM Left	1058900	1	
3	Coupling ECO W 3/8" V3	1053029	2	Torque: 60Nm. (POS.4 incl.)
4	Flat sealing for ECO W 3/8" V3	1052976	2	
5	Dirt protection block ECO 3/8"	1028274	2	
6	Cover plate powerplug QSM	1049191	1	
7	Screw MC6S M5x10 12.9	610594	2	
8	Power Plug ECO45/50 W QSM	1050792	1	Connect to slip ring QSM
9	Screw MC6S M5x16 12.9	610401	2	Loxéal 55-02
15	Bl. ECO50W Hitch QSM 2hy. R Compl.	1069491	1	(POS.3, 5 incl.)
16	O-ring 12,42x1,78	710973	2	QTY: 3 on QSM45 Right block
17	Washer NL 8mm	611040	4	
18	Screw MC6S M8x40 12.9 ZFSL	6000145	1	Torque: 40Nm
19	Screw MC6S M8x80 12.9 ZFSL	6000285	3	Torque: 40Nm
20	Screw MC6S M8x65 12.9 ZFSL	6000398	2	Torque: 40Nm
32	Screw MC6S M12x25 12.9 ZFSL	6000164	3	Loxéal 83-52. Torque: 136Nm
33	Screw MC6S M12x20 12.9	610472	3	Loxéal 83-52. Torque: 136Nm
41	Block ECO50 W Hitch QSM Right	1069488	1	

Option 1 el:



Option 2 bl:

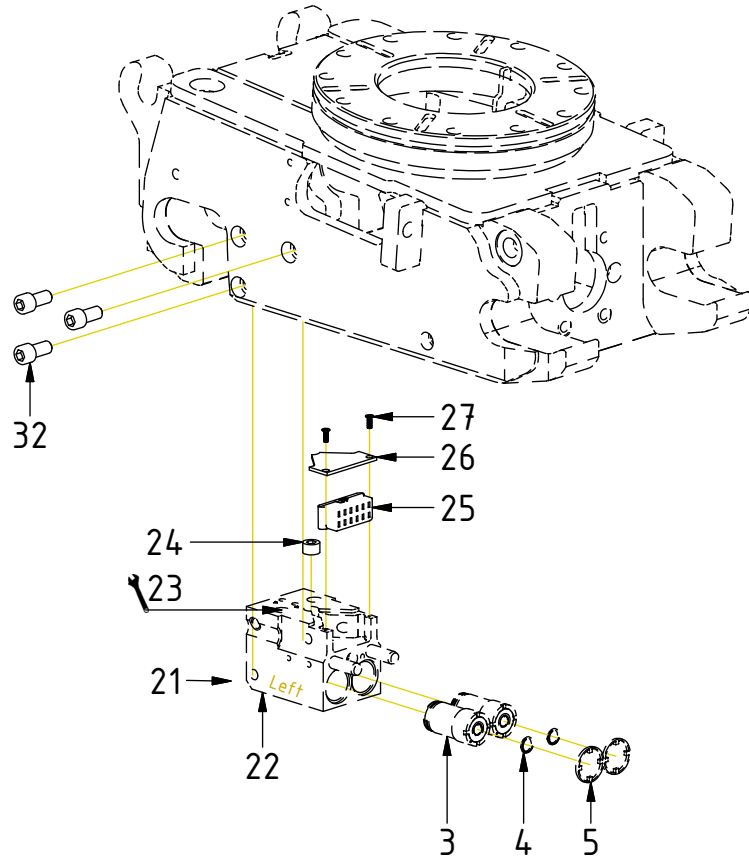


POS in order of assembly

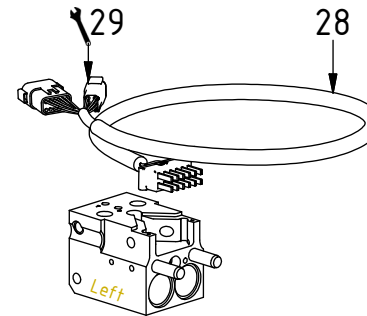
QS45

POS	DESCRIPTION	PART	QTY	COMMENTS
3	Coupling ECO W 3/8" V3	1053029	2	Torque: 60Nm. (POS.4 incl.)
4	Flat sealing for ECO W 3/8" V3	1052976	2	
5	Dirt protection block ECO 3/8"	1028274	2	
21	Block ECO45/50 W Hitch 2hy. Compl.	1055712	1	(POS.3, 5, 22 incl.)
22	Block ECO45/50 W Hitch	1042479	1	
23	Adapters according to Quick hitch			See "Quick hitch"
24	Pipe plug DIN 906 M16x1,5	711529	1	
25	Plug ECO W - Hitch	1041814	1	
26	Coverplate block ECO45 W Hitch	1041098	2	
27	Screw MKFT 4x12	6000121	2	
28	Power Plug ECO45/50 W DTM	1042244	1	Cable gland torque: 6Nm
29	6P, connect to slip ring			See "Slip rings" (additional cables)
32	Screw MC6S M12x25 12.9 ZFSLH	6000164	3	Loxal 83-52. Torque: 136Nm

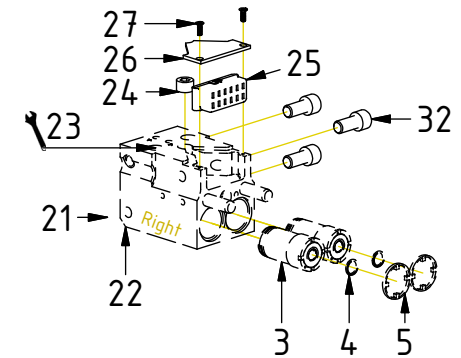
POS in order of assembly



Option 1 el:

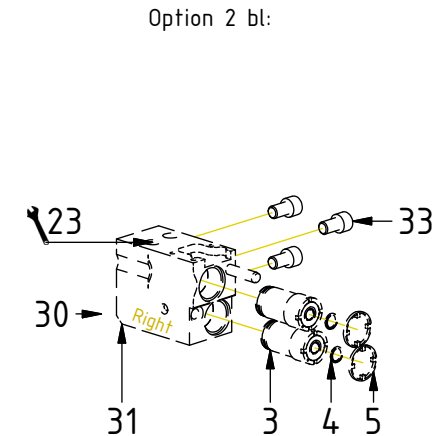
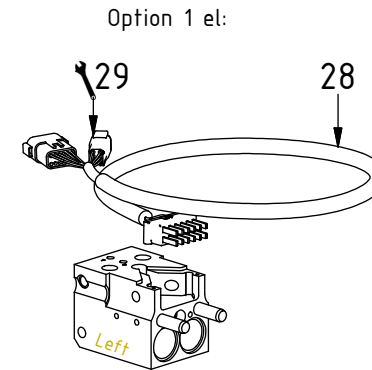
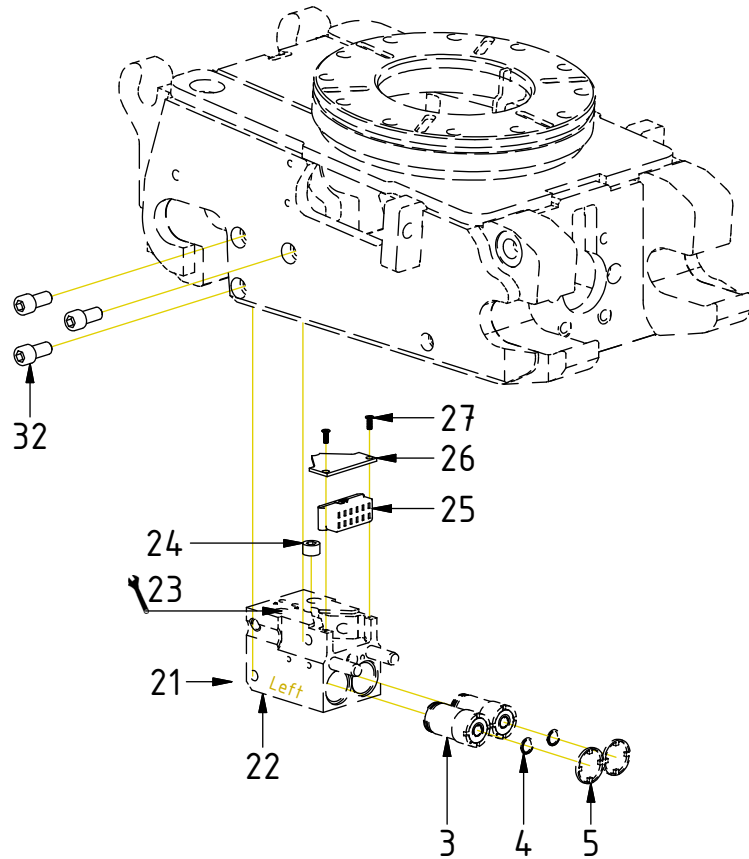


Option 2 bl:



QS50

POS	DESCRIPTION	PART	QTY	COMMENTS
3	Coupling ECO W 3/8" V3	1053029	2	Torque: 60Nm. (POS.4 incl.)
4	Flat sealing for ECO W 3/8" V3	1052976	2	
5	Dirt protection block ECO 3/8"	1028274	2	
21	Block ECO45/50 W Hitch 2hy. Compl.	1055712	1	(POS.3, 5, 22 incl.)
22	Block ECO45/50 W Hitch	1042479	1	
23	Adapters according to Quick hitch			See "Quick hitch"
24	Pipe plug DIN 906 M16x1,5	711529	1	
25	Plug ECO W - Hitch	1041814	1	
26	Coverplate block ECO45 W Hitch	1041098	2	
27	Screw MKFT 4x12	6000121	2	
28	Power Plug ECO45/50 W DTM	1042244	1	Cable gland torque: 6Nm
29	6P, connect to slip ring			See "Slip rings" (additional cables)
30	Block ECO50 W Hitch 2hy. R Compl.	1055714	1	(POS.3, 5, 31 incl.)
31	Block ECO50 W Hitch Right	1041643	1	
32	Screw MC6S M12x25 12.9 ZFSL	6000164	3	Loxeal 83-52. Torque: 136Nm
33	Screw MC6S M12x20 12.9	610472	3	Loxeal 83-52. Torque: 136Nm



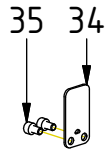
POS in order of assembly

SPARE PARTS

POS	DESCRIPTION	PART	QTY	COMMENTS
3	Coupling ECO W 3/8" V3	1053029	2	Torque: 60Nm. (POS.4 incl.)
4	Flat sealing for ECO W 3/8" V3	1052976	2	
34	Cover plate cable ECO45 QSM	1055947	1	Used until 2021-09
35	Screw MC6S M6x10 12.9 Geomet	611512	2	
36	O-ring 12,42x1,78	712417	2	Used until 2020-03 Seperate seal kit: 7000045
38	Cover plate cable ECO45/50 W QSM	1064282	1	

POS in order of assembly

QSM45:



Used with ALU block 0 el.

QS45/50:

