

COVERSHEET

Planned document changes:

Briefly:

No planned changes.

Document changes:

Date:

Change:

Rev.

after change:

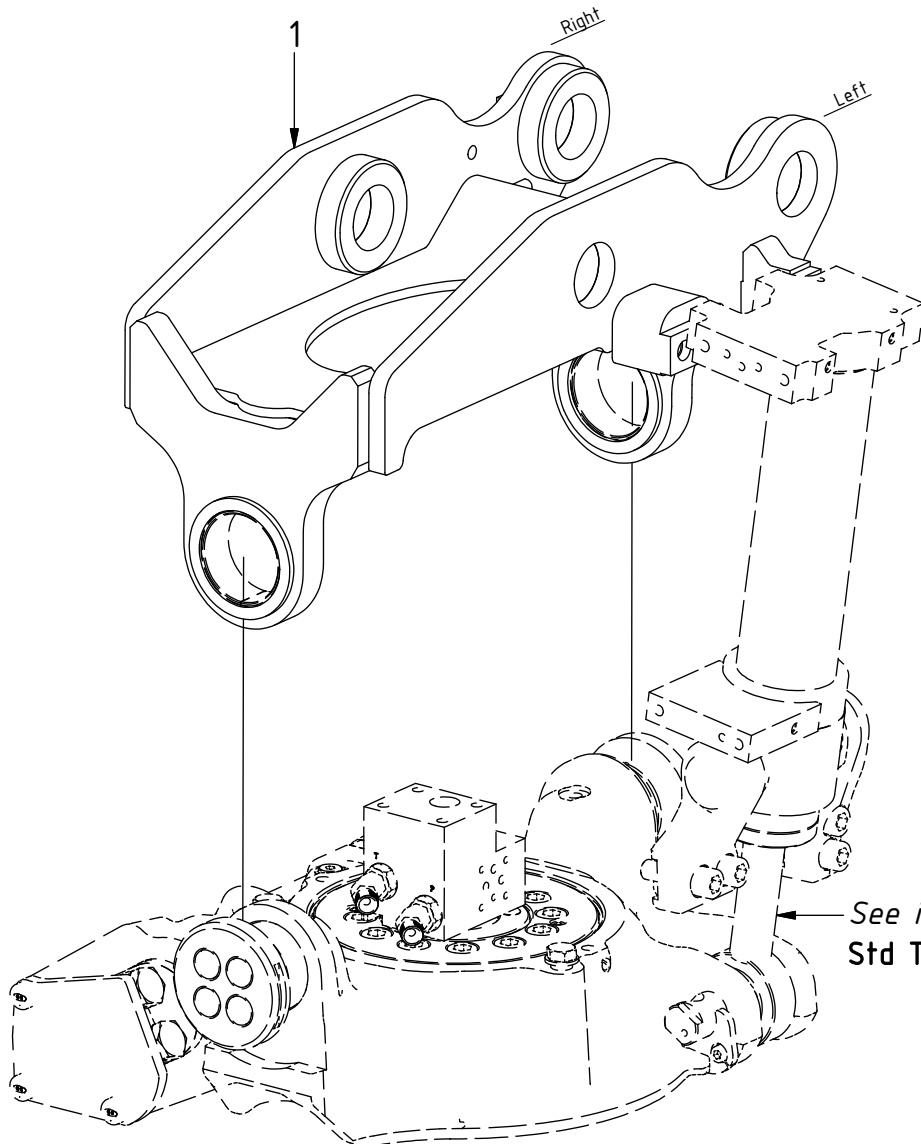
2019-10-16

New instruction.

-

EC204 - UNI Top part

POS	DESCRIPTION	PART	QTY	COMMENTS
1	Top part UNI is selected via engcon		1	
2	Axle Ø32	1038259	2	(POS.5, 8-9 included)
3	Axle Ø35	405409	2	(POS.5-7 included)
4	Axle Ø40	405509	2	(POS.5-7 included)
5	Grease Nipple	711403	6	
6	Spacer	405411	4	
7	Hex Head Screw 10x25	610142	7	
8	Spacer	405072	2	
9	Hex Head Screw 10x20	610141	2	



See instruction,
Std Top part components

