

## COVERSHEET

## Planned document changes:


**Briefly:**

No planned changes.

## Document changes:

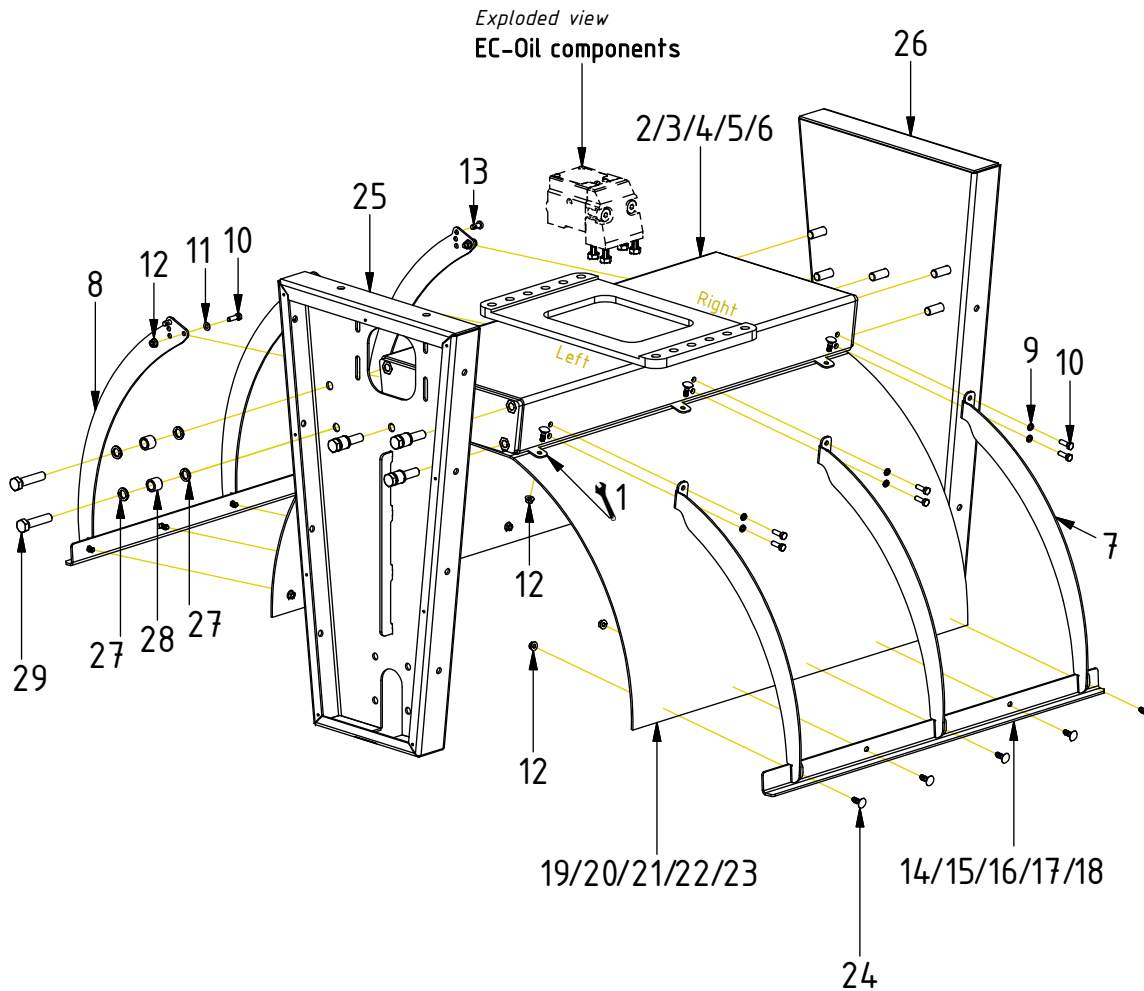
<b>Date:</b>	<b>Change:</b>	<b>Rev. after change:</b>
2026-06-18	Motor and spare parts corrected.	D
2025-12-22	Drive assy. replaced.	C
2025-02-07	Hoses added.	B
2022-02-14	Hoses and photos added.	A
2020-01-17	New document.	-

*Readers note:*

 Indicates instruction.

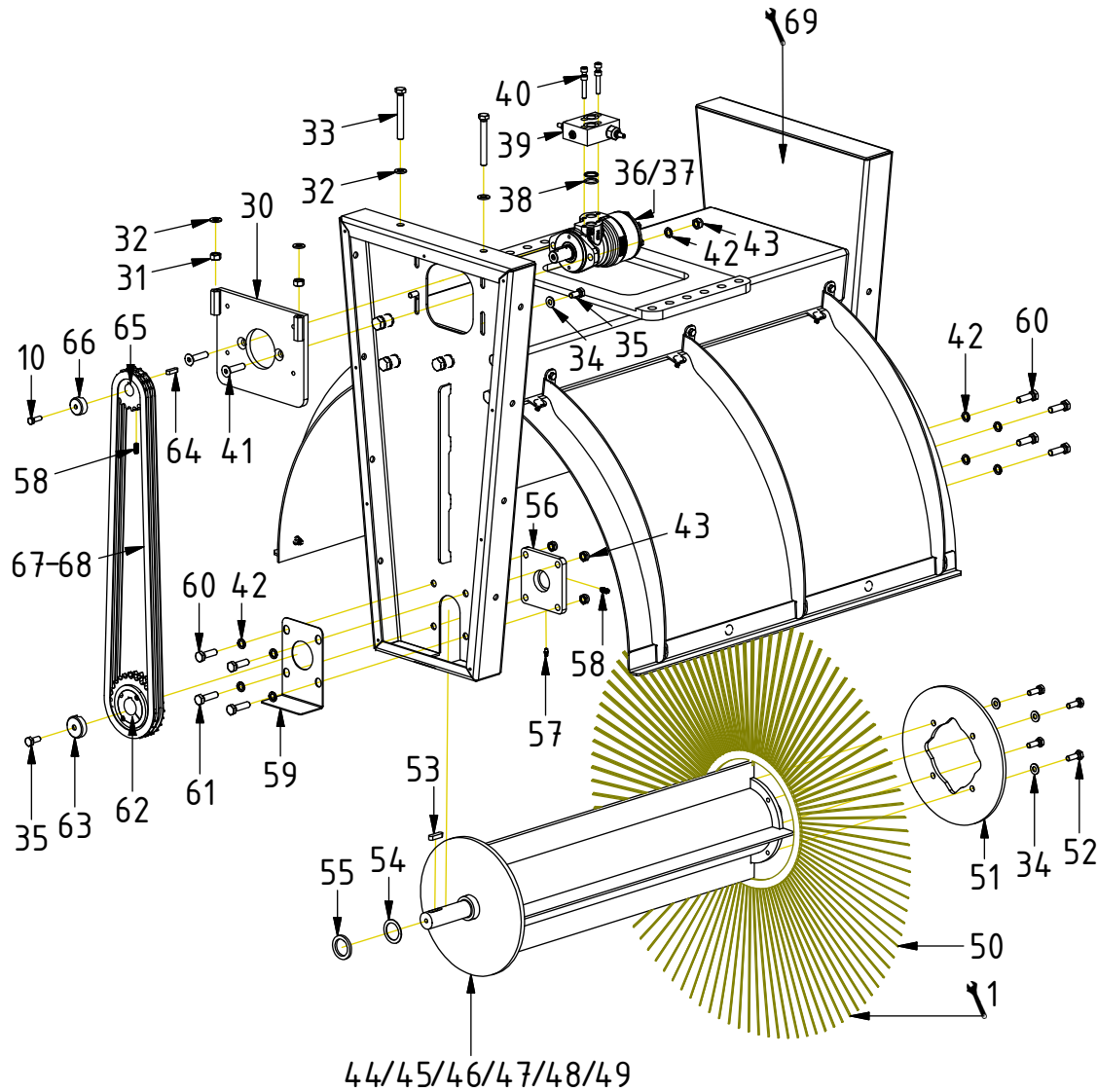
 Represents Hose.

Dashed lines for overview, mounts  
on other pages/assemblies.



POS	DESCRIPTION	PART	QTY	COMMENTS
1	Specific assy. instructions p.6			
2	Base SR800 (6 ribs)	1051270	1	
3	Base SR1300 (8 ribs)	1051271	1	
4	Base SR1600 (8 ribs)	1051272	1	
5	Base SR1800 (8 ribs)	1051273	1	
6	Base SR200 (8 ribs)	1051311	1	
7	Rib fixed	1051276	4	QTY: 3 for SR800
8	Rib movable	1051277	4	QTY: 3 for SR800
9	Washer NL 8mm	611040	8	QTY: 6 for SR800
10	Screw M6S M8x25 8,8 FZB	610124	13	QTY: 10 for SR800
11	Washer BRB 8,4x16x1,6 200 HV FZB	611005	4	QTY: 3 for SR800
12	M6MF M8 Lock	6000211	28	QTY: 16 for SR800, 22 for SR1300
13	Lock axle	1051265	4	QTY: 3 for SR800
14	Clamping bracket SR800 (5 holes)	1051260	2	
15	Clamping bracket SR1300 (7 holes)	1051261	2	
16	Clamping bracket SR1600 (10 holes)	1051262	2	
17	Clamping bracket SR1800 (10 holes)	1051263	2	
18	Clamping bracket SR2000 (10 holes)	1051308	2	
19	Cover SR800	1051266	1	
20	Cover SR1300	1051267	1	
21	Cover SR1600	1051268	1	
22	Cover SR1800	1051269	1	
23	Cover SR2000	1051309	1	
24	Screw MVBF 8x25	6000176	24	QTY: 13 for SR800, 18 for SR1300
25	Gable for motor	1051256	1	QTY: 2 for SR2000 (2 motors)
26	Gable	1051255	1	(SR with 1 motor)
27	Washer NL 16mm	611044	20	
28	Distance Ø25/17 L20,5	1051254	10	
29	Screw M6S M16x70 8,8 FZB	6000007	10	

POS in order of assembly



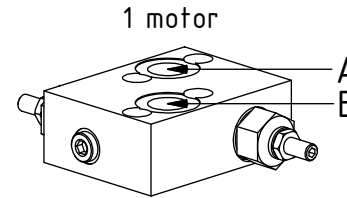
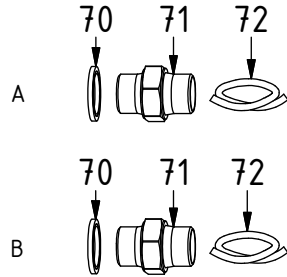
POS	DESCRIPTION	PART	QTY	COMMENTS
1	Specific assy. instructions p.6			
10	Screw M6S M8x25 8,8 FZB	610124	13	QTY: 10 for SR800
30	Motor Attachment SR V2	1058812	1	
31	Hex. Nut M12	610907	2	
32	Washer BRB 13x24x2,5 200 HV FZB	611007	4	
33	Screw M6S M12x100 8,8 FZB	6000223	2	
34	Washer BRB 10,5x22x2 200 HV FZB	611006	8	
35	Screw M6S M10x25 8,8 FZB	610142	5	
36	Hydraulic motor OMR-X250	7001858	1	For SR800, SR2000
37	Hydraulic motor MP400CDP	1051258	1	For SR1300, SR1600, SR1800
38	O-ring NBR 70	7002064	2	
39	Crossover valve (160 bar) KPDR80	7000695	1	
40	Screw MC6S M8x40 12.9 ZFSHL	6000145	4	
41	MF6S M12x50 10.9 ZFSHL	6000392	2	
42	Washer NL 12mm	611042	18	
43	Lock Nut M6M M12x1,75 8,8 FZB	610924	18	
44	Sweeper SR800 V2	1069808	1	
45	Sweeper SR1300 V2	1073748	1	
46	Sweeper SR1600 V2	1073750	1	
47	Sweeper SR1800 V2	1073751	1	
48	Sweeper SR1800 Double motor	1051252	1	
49	Sweeper SR2000 V2	1073754	1	
50	Brush segment D=915 d=254	1047896	20	1300: 33, 1600: 40, 1800: 45, 2000: 51
51	Brush holder	1051253	1	
52	Screw M6S M10x30 8,8 FZB	610143	4	Loxeal 55-02
53	Feather Key 10x8x36	6000370	1	
54	Shim SR 1mm	1074107	2	Use if required
55	Shim SR 5mm	1074109	2	
56	Bearing (axel 35) 339-481 UCF35	1051264	2	(POS.57 included)
57	Grease Nipple		2	
58	Set screw SK6SS 8x20	6000190	1	
59	Cover plate	1069812	1	
60	Screw M6S M12x40 8,8 FZB	610476	14	
61	Screw M6S M12x45		2	
62	Chainwheel SR V2 35H7 D-58-25	1069609	1	
63	Spacer big chainwheel SR	1069617	1	
64	Feather Key 8x7x30	6000188	1	
65	Chainwheel SR 25H7&K&S D-58-17	1058173	1	
66	Washer sprocket 17	1058809	1	
67	Roller chain RS10B-2 1,64m	7000696	1	
68	Coupling link 24RS10B-2	1047913	1	
69	For SR2000 / 2 motors			Repeat assembly (Double QTY)

POS in order of assembly

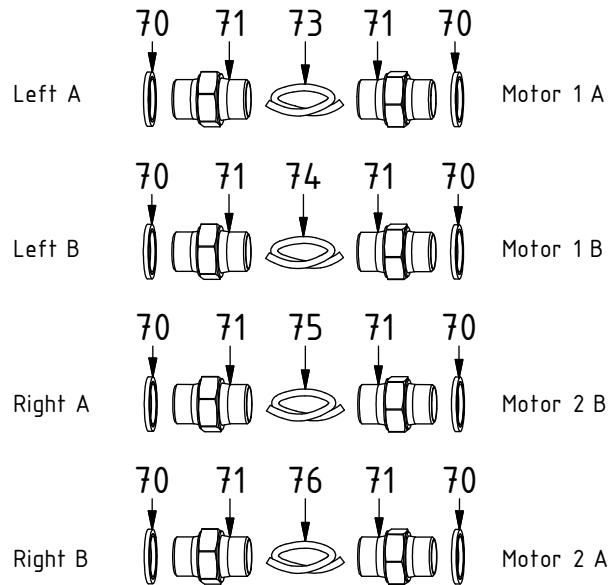
Without EC-Oil

POS	DESCRIPTION	PART	QTY	COMMENTS
70	Washer GBR08 1/2	710704	2	QTY depends on config. (2-8)
71	Adapter 136-08-08 (1/2")	710108	2	QTY depends on config. (2-8)
72	Hose 1 motor	7001537	2	
73	Hose 2 motors Left motor A	7001539	1	
74	Hose 2 motors Left motor B	7001538	1	
75	Hose 2 motors Right motor A	7001541	1	
76	Hose 2 motors Right motor B	7001540	1	
104	Dividingblock 1/2inch	1051312	1	

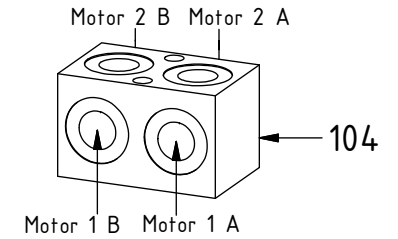
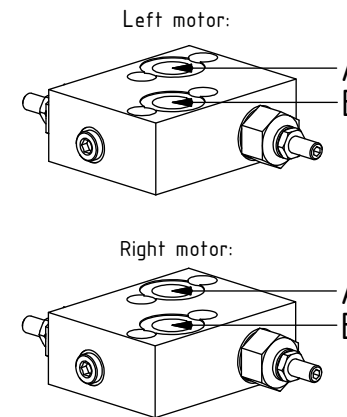
1 motor



2 motors



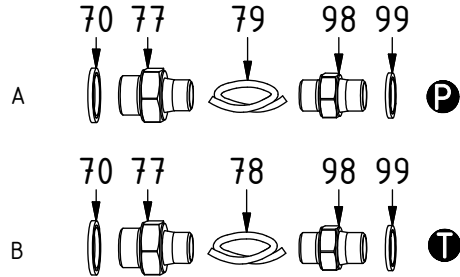
2 motors



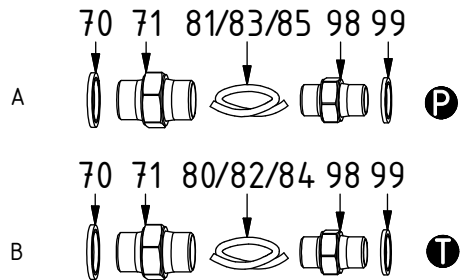
EC-Oil

POS	DESCRIPTION	PART	QTY	COMMENTS
70	Washer GBR08 1/2	710704	2	QTY depends on config. (2-8)
71	Adapter 136-08-08 (1/2")	710108	2	QTY depends on config. (2-8)
77	Adapter 135-06-08	710122	2	
78	Hose EC-Oil Short QS40 SR800	7002007	1	
79	Hose EC-Oil Long QS40 SR800	7002006	1	
80	Hose EC-Oil Long QS45/50 SR800	7001544	1	
81	Hose EC-Oil Short QS45/50 SR800	7001543	1	
82	Hose EC-Oil Long QS45/50 SR1300	7001546	1	
83	Hose EC-Oil Short QS45/50 SR1300	7001545	1	
84	Hose EC-Oil Long QS45/50 SR1600	7001550	1	
85	Hose EC-Oil Short QS45/50 SR1600	7001549	1	
98	Adapter 136-06-06 (3/8")	710106	2	
99	Washer GBR06 3/8	710703	2	

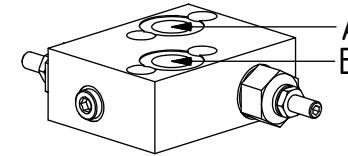
ECO40 W:



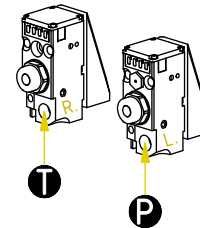
ECO45/50 W:



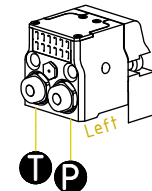
Left motor:



ECO40 W:



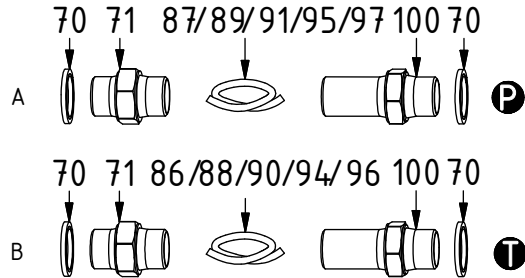
ECO45 W:



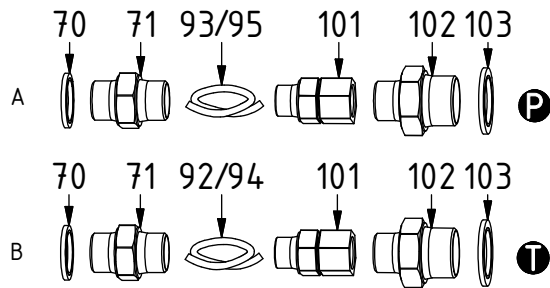
POS in order of assembly

EC-Oil

ECO60 W:

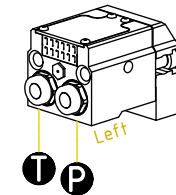
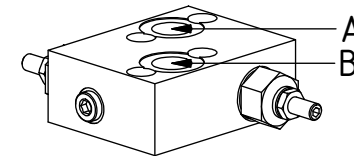


ECO70 W:

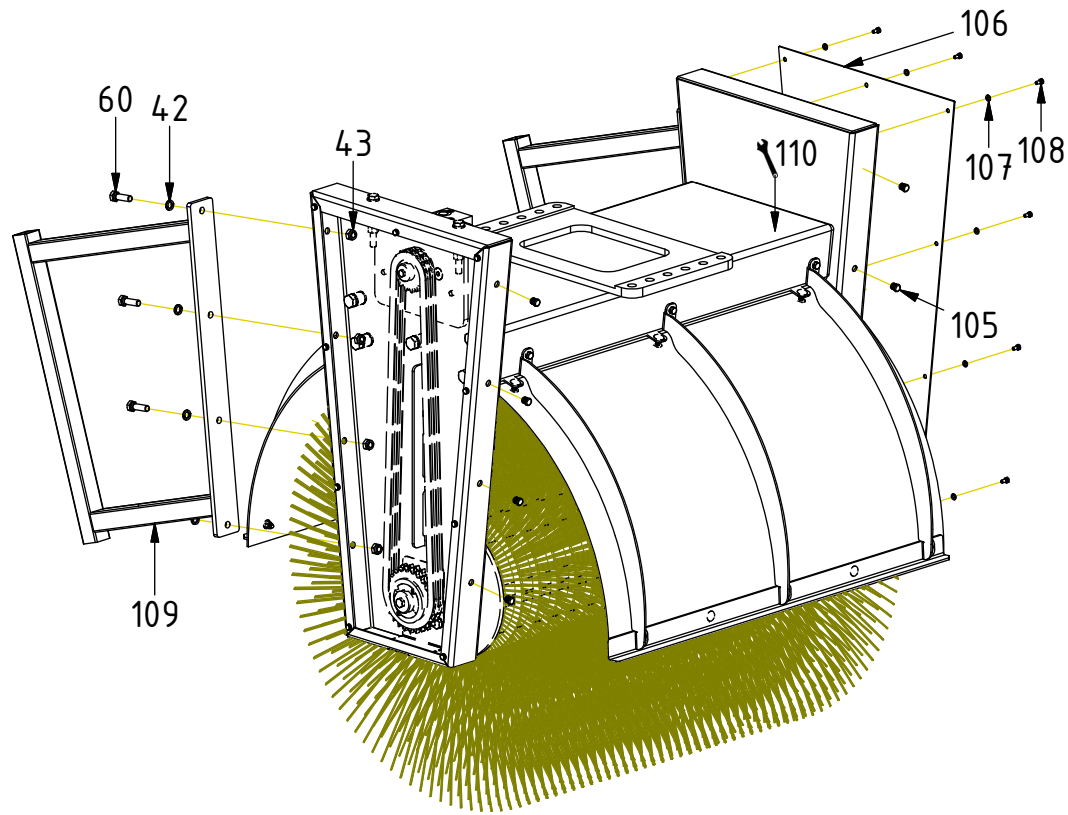


POS	DESCRIPTION	PART	QTY	COMMENTS
70	Washer GBR08 1/2	710704	2	QTY depends on config. (2-8)
71	Adapter 136-08-08 (1/2")	710108	2	QTY depends on config. (2-8)
86	Hose EC-Oil Long QS60 SR800	7001747	1	
87	Hose EC-Oil Short QS60 SR800	7001746	1	
88	Hose EC-Oil Long QS60 SR1300	7001548	1	
89	Hose EC-Oil Short QS60 SR1300	7001547	1	
90	Hose EC-Oil Long QS60 SR1600	7001552	1	
91	Hose EC-Oil Short QS60 SR1600	7001551	1	
92	Hose EC-Oil Long QS70 SR800C	7001555	1	
93	Hose EC-Oil Short QS70 SR800C	7001747	1	
94	Hose EC-Oil Long QS60/70 SR1800	7001554	1	
95	Hose EC-Oil Short QS60/70 SR1800	7001553	1	
96	Hose EC-Oil Long QS60/80 SR2000	7001556	1	
97	Hose EC-Oil Short QS60/80 SR2000	7001555	1	
100	Adapter 1260-08-08 (1/2")	710244	2	
101	Adapter 703-06-06 (3/8")	712221	2	
102	Adapter 135-08-12 (1/2"-3/4")	710109	2	
103	Washer GBR12 3/4	710706	2	

Left motor:



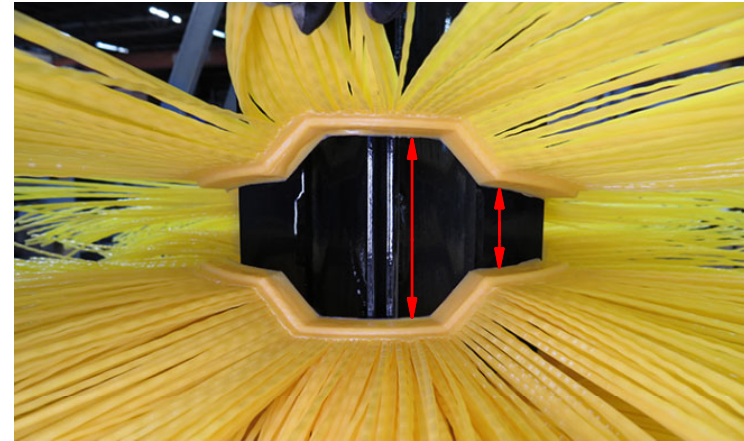
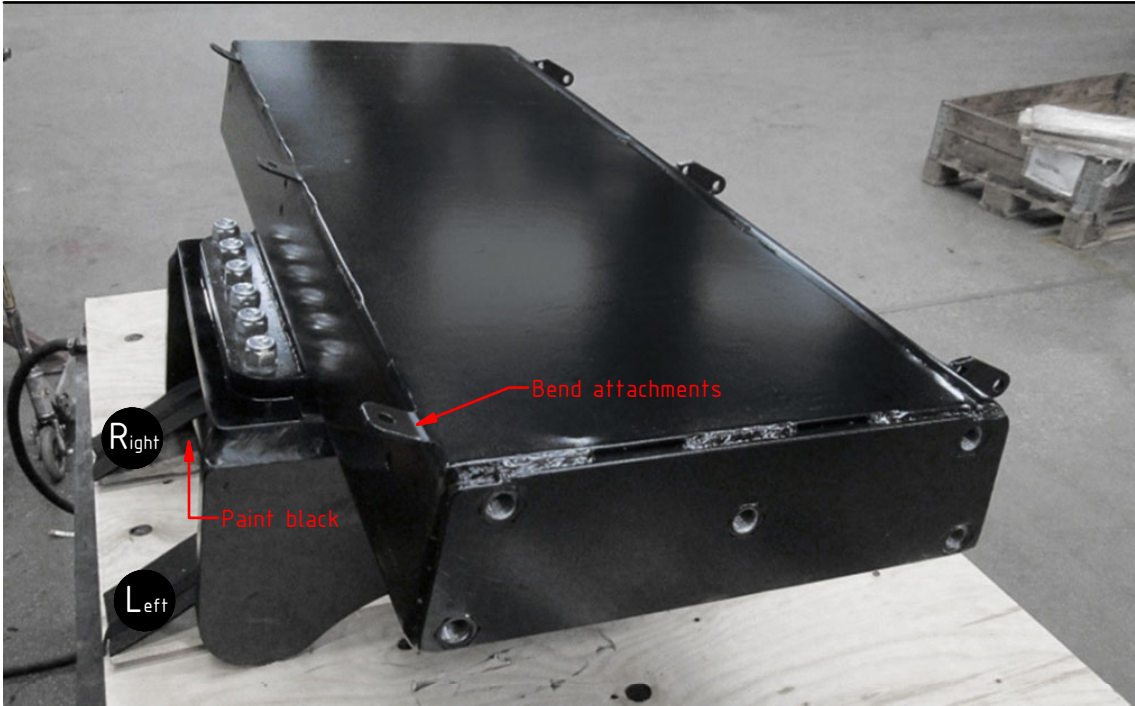
POS in order of assembly



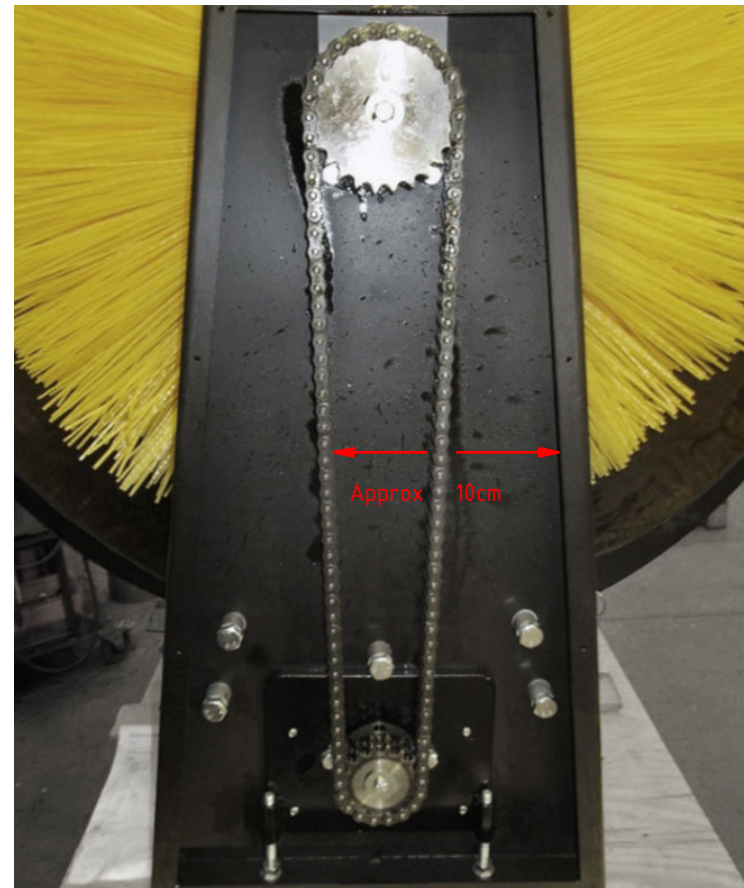
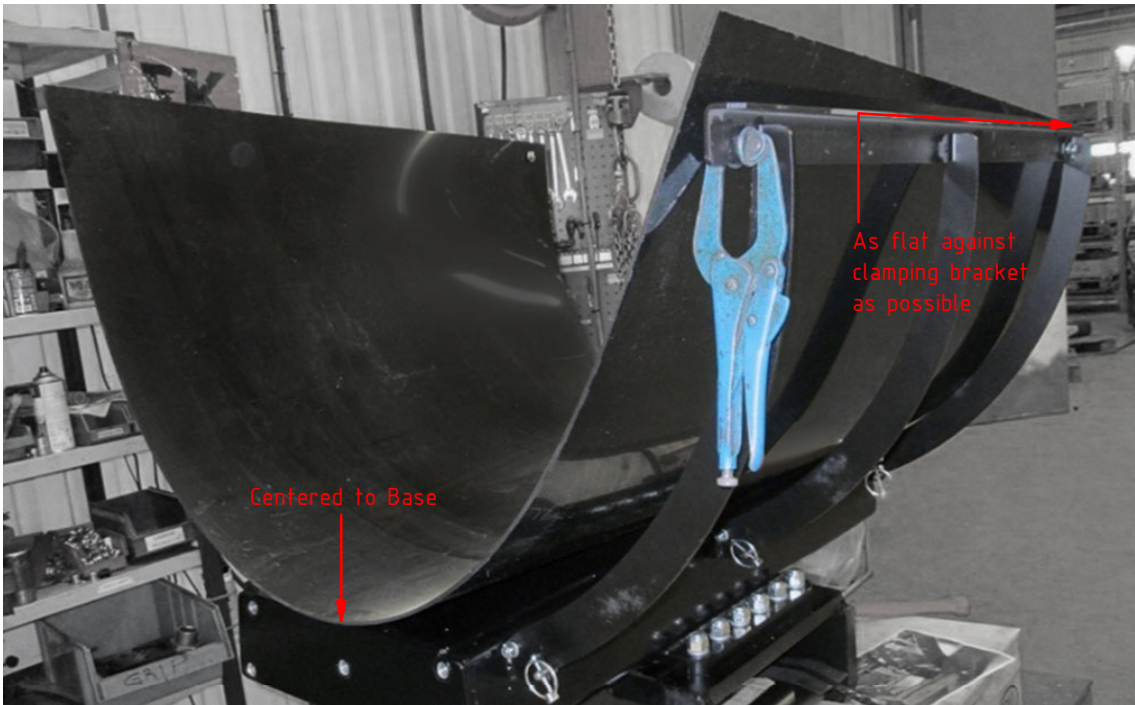
POS	DESCRIPTION	PART	QTY	COMMENTS
42	Washer NL 12mm	611042	18	
43	Lock Nut M6M M12x1,75 8,8 FZB	610924	18	
60	Screw M6S M12x40 8,8 FZB	610476	14	
105	Pipe plug GL15	7001039	8	
106	Cover plate	1051257	2	
107	Washer BRB 6,4x12x1,6 200 HV FZB	611004	18	
108	Screw M6S M6x12 8,8 FZB	610108	18	
109	Support leg SR-C	1052346	2	
110	Punch serial no into frame			

POS in order of assembly

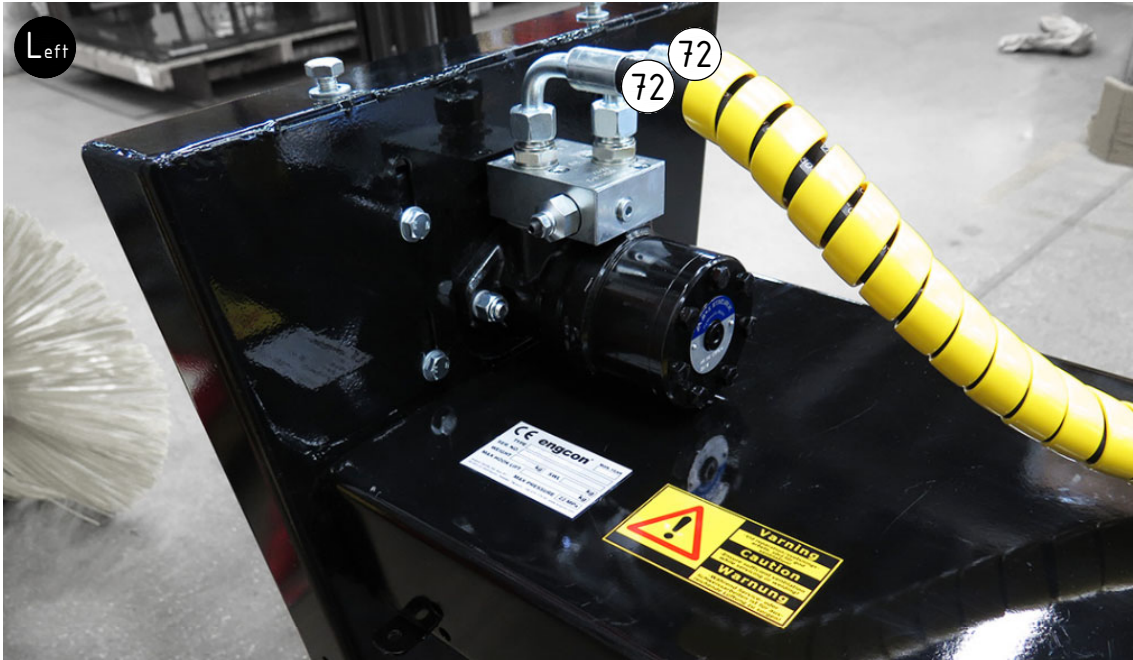
POS	DESCRIPTION	PART	QTY	COMMENTS
-----	-------------	------	-----	----------



NB! The 2 furthest segments on each side mounts in same direction



Without EC-Oil  
1 motor



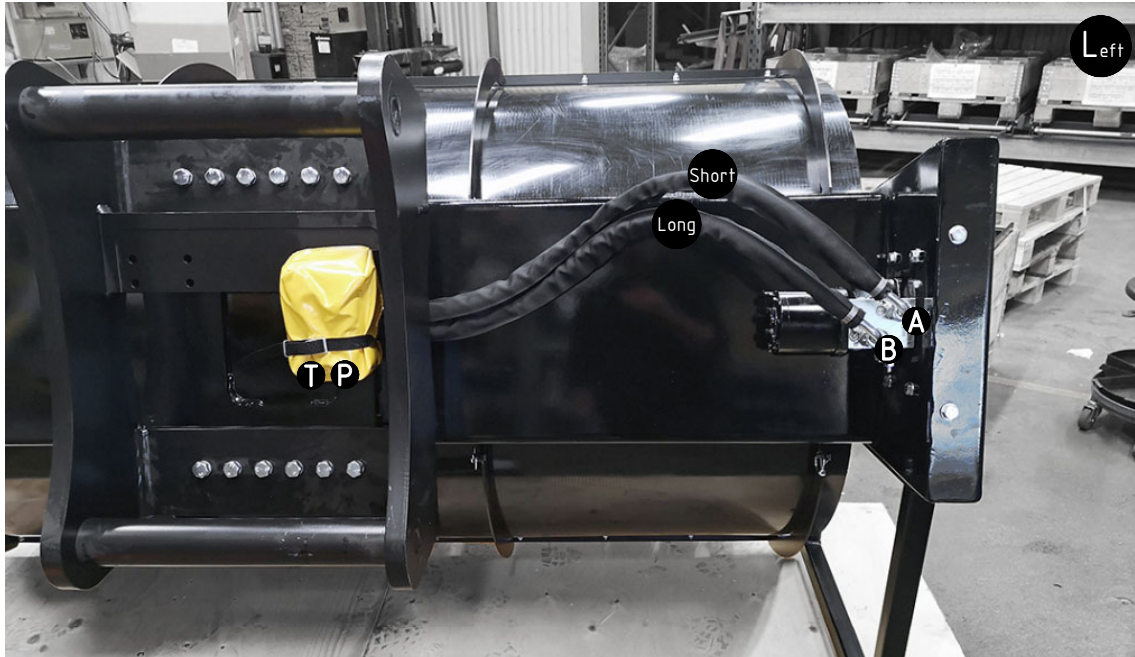
2 motors

New photo needed: 2 motors without EC-Oil

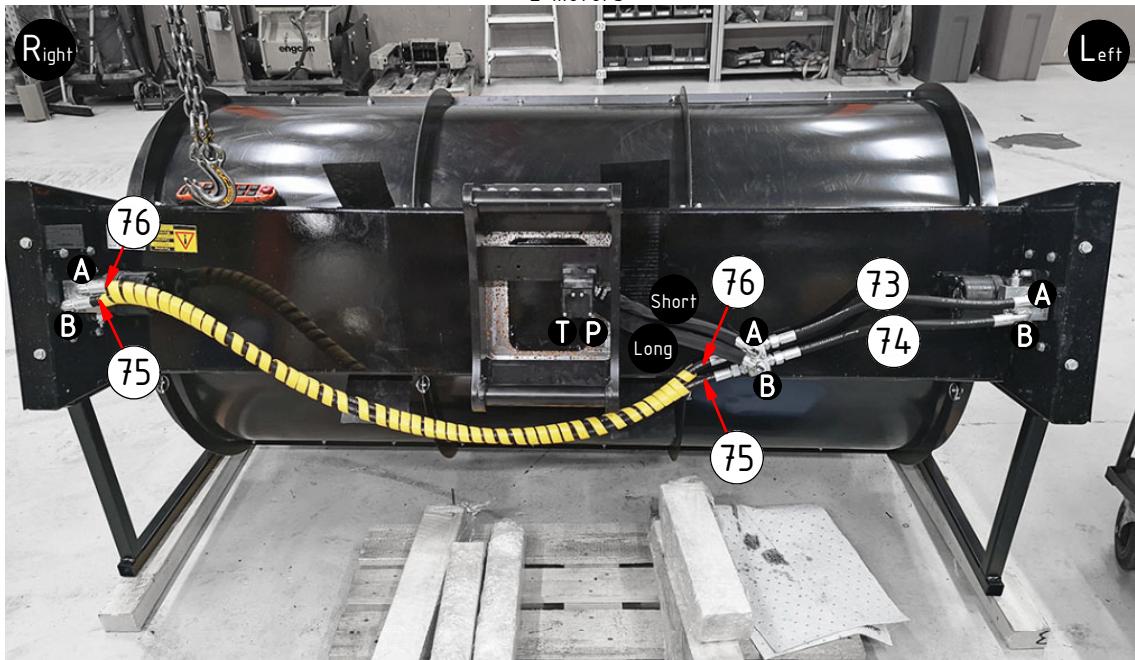
POS	DESCRIPTION	PART	QTY	COMMENTS
72	Hose 1 motor	7001537	2	
73	Hose 2 motors Left motor A	7001539	1	
74	Hose 2 motors Left motor B	7001538	1	
75	Hose 2 motors Right motor A	7001541	1	
76	Hose 2 motors Right motor B	7001540	1	

POS in order of assembly

EC-Oil  
1 motor

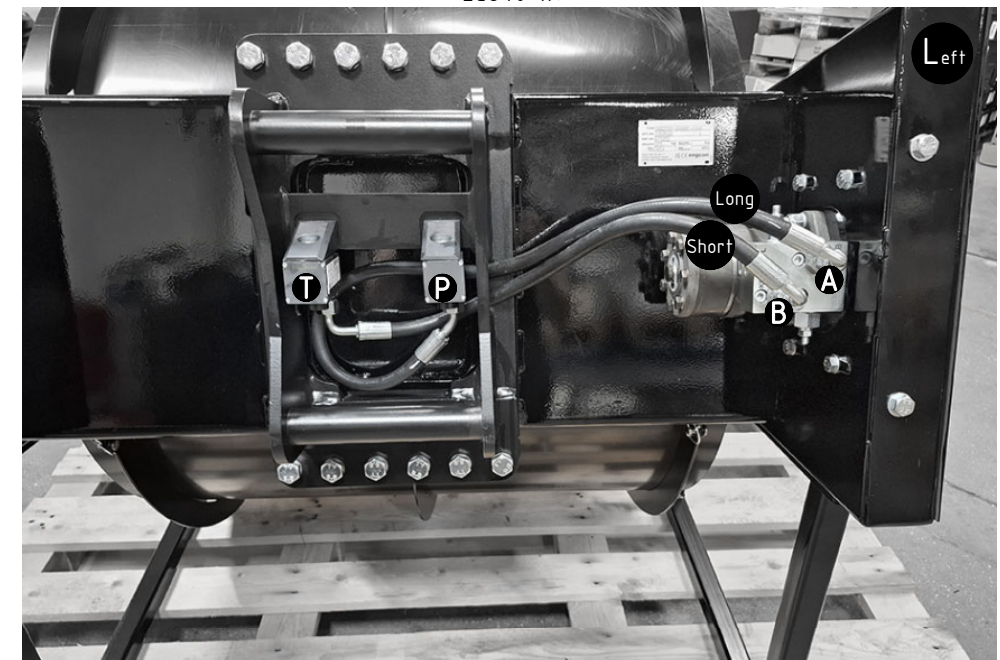


2 motors



POS	DESCRIPTION	PART	QTY	COMMENTS
73	Hose 2 motors Left motor A	7001539	1	
74	Hose 2 motors Left motor B	7001538	1	
75	Hose 2 motors Right motor A	7001541	1	
76	Hose 2 motors Right motor B	7001540	1	
78	Hose EC-Oil Short QS40 SR800	7002007	1	
79	Hose EC-Oil Long QS40 SR800	7002006	1	
80	Hose EC-Oil Long QS45/50 SR800	7001544	1	
81	Hose EC-Oil Short QS45/50 SR800	7001543	1	
82	Hose EC-Oil Long QS45/50 SR1300	7001546	1	
83	Hose EC-Oil Short QS45/50 SR1300	7001545	1	
84	Hose EC-Oil Long QS45/50 SR1600	7001550	1	
85	Hose EC-Oil Short QS45/50 SR1600	7001549	1	
86	Hose EC-Oil Long QS60 SR800	7001747	1	
87	Hose EC-Oil Short QS60 SR800	7001746	1	
88	Hose EC-Oil Long QS60 SR1300	7001548	1	
89	Hose EC-Oil Short QS60 SR1300	7001547	1	
90	Hose EC-Oil Long QS60 SR1600	7001552	1	
91	Hose EC-Oil Short QS60 SR1600	7001551	1	
92	Hose EC-Oil Long QS70 SR800C	7001555	1	
93	Hose EC-Oil Short QS70 SR800C	7001747	1	
94	Hose EC-Oil Long QS60/70 SR1800	7001554	1	
95	Hose EC-Oil Short QS60/70 SR1800	7001553	1	
96	Hose EC-Oil Long QS60/80 SR2000	7001556	1	
97	Hose EC-Oil Short QS60/80 SR2000	7001555	1	

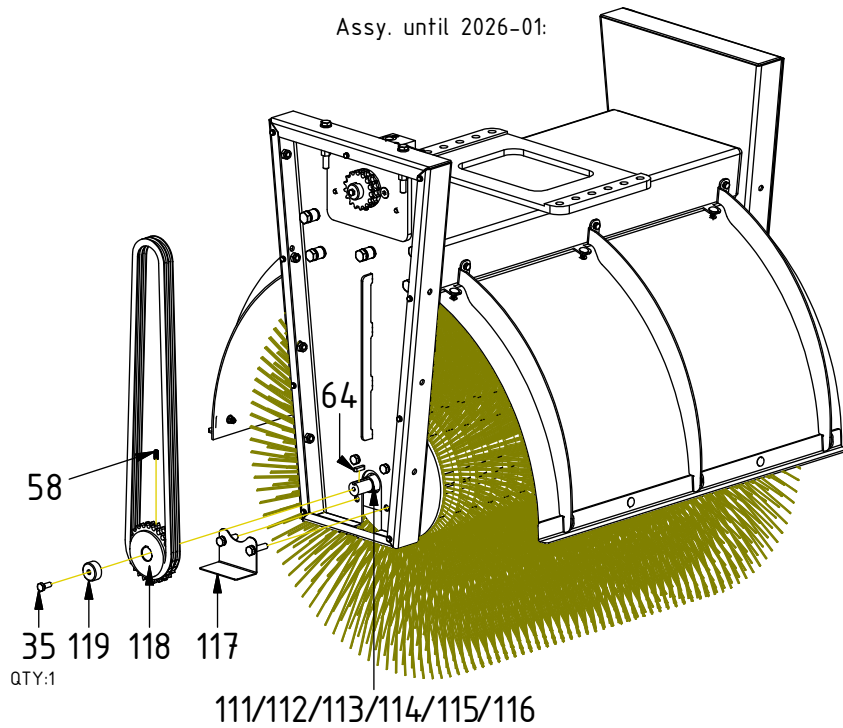
ECO40 W:



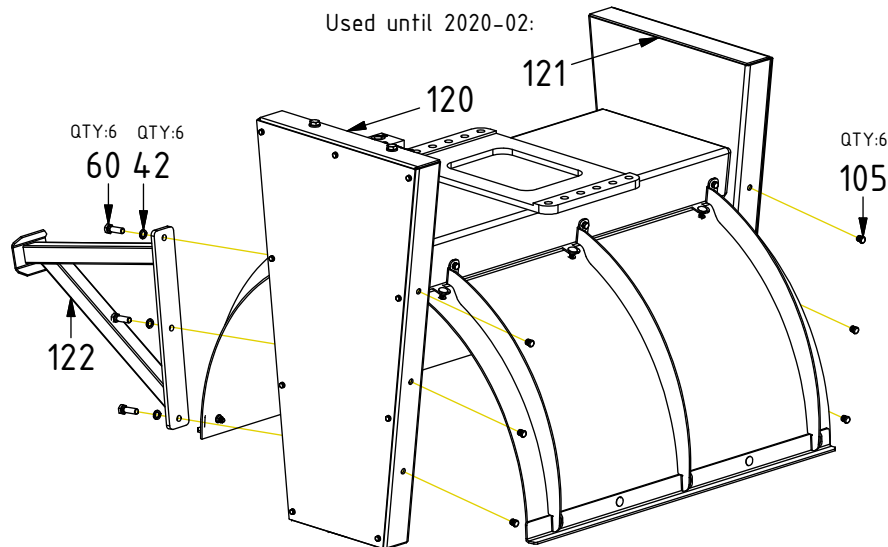
POS in order of assembly

RELATED SPARE PARTS

Assy. until 2026-01:



Used until 2020-02:



POS	DESCRIPTION	PART	QTY	COMMENTS
25	Gable for motor	1051256	1	QTY: 2 for SR2000 (2 motors)
26	Gable	1051255	1	(SR with 1 motor)
35	Screw M6S M10x25 8,8 FZB	610142	5	
58	Set screw SK6SS 8x20	6000190	1	
59	Cover plate	1069812	1	
60	Screw M6S M12x40 8,8 FZB	610476	14	
62	Chainwheel SR V2 35H7 D-58-25	1069609	1	
63	Spacer big chainwheel SR	1069617	1	
64	Feather Key 8x7x30	6000188	1	
105	Pipe plug GL15	7001039	8	
109	Support leg SR-C	1052346	2	
111	Sweeper SR800	1051249	1	
112	Sweeper SR1300	1051250	1	
113	Sweeper SR1600	1051251	1	
114	Sweeper SR1800	1056917	1	
115	Sweeper SR1800 Double motor	1051252	1	
116	Sweeper SR2000	1051310	1	
117	Cover plate	1051280	1	
118	Chainwheel SR 30H7&K&S D-58-25	1058172	1	
119	Washer sprocket 25	1058808	1	
120	Gable (motor) SR-B	1057112	1	Replaced by POS.25 from 2020-02
121	Gable SR-B	1057113	1	Replaced by POS.26 from 2020-02
122	Support leg SR-B	1057110	2	Replaced by POS.109 from 2020-02

POS in order of assembly