

EC204 - S40

COVERSHEET

Planned document changes:

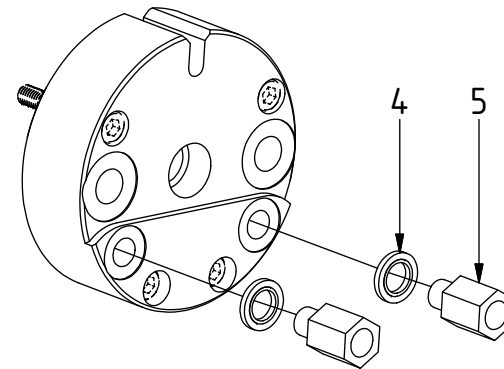
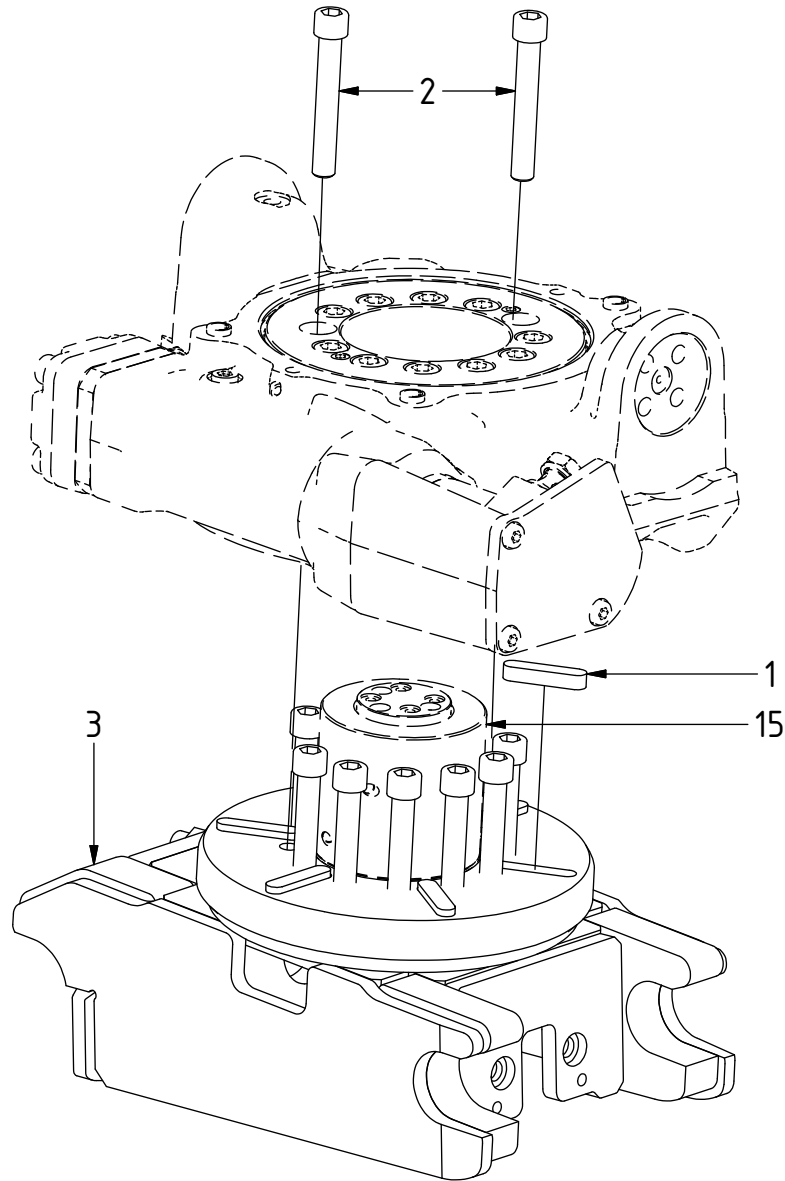
Briefly:

No planned changes.

Document changes:

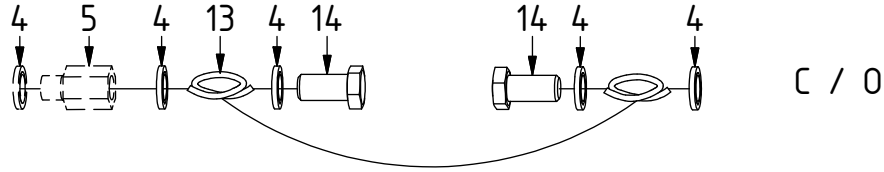
<u>Date:</u>	<u>Change:</u>	<u>Rev. after change:</u>
2023-11-14	Screws updated to ZFSHL.	C
2018-10-12	Coversheet added.	B

POS	DESCRIPTION	PART	QTY	COMMENTS
1	Feather Key	650101	6	
2	Screw MC6S M12x80 12.9 ZFSHL	6000148	12	Torque: 136Nm
3	Quick hitch S40	1028967	1	
4	Washer	710701	10	
5	Adapter 236-02-02	710129	2	
15	Swivel with Connection block Complete	1028504	1	Part of rotator frame assembly See "Valve blocks & swivels"

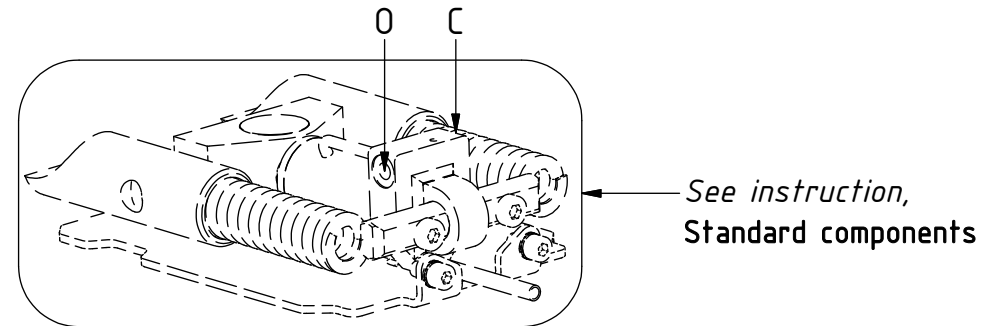
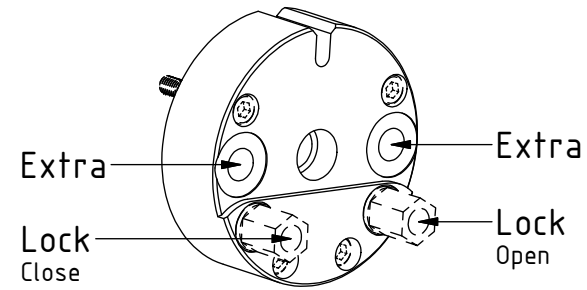
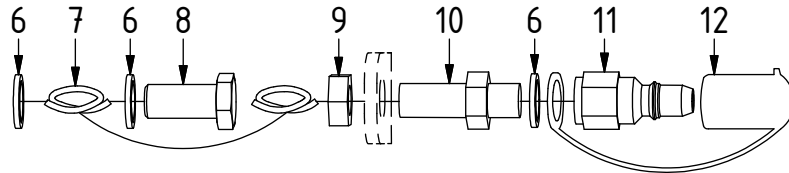


POS	DESCRIPTION	PART	QTY	COMMENTS
4	Washer	710701	10	
5	Adapter 236-02-02	710129	2	
6	Seal washer 1/4"	710702	6	
7	Hose Extra	7000111	2	
8	Banjobolt 1/4"	710271	2	
9	Bulkhead adapter nut	710250	2	
10	Bulkhead adapter	710240	2	
11	Quick Coupler 1/4" Male 2520	790111	2	
12	Dust protection	790119	2	
13	Hose Lock	7000110	2	
14	Banjo bolt	710277	4	

Lock:
Close / Open



Extra:
Standard



POS	DESCRIPTION	PART	QTY	COMMENTS
7	Hose Extra	7000111	2	
13	Hose Lock	7000110	2	

POS in order of assembly

