

# Valve block & Swivel ECHF

## COVERSHEET



### Planned document changes:

**Briefly:**

No planned changes.

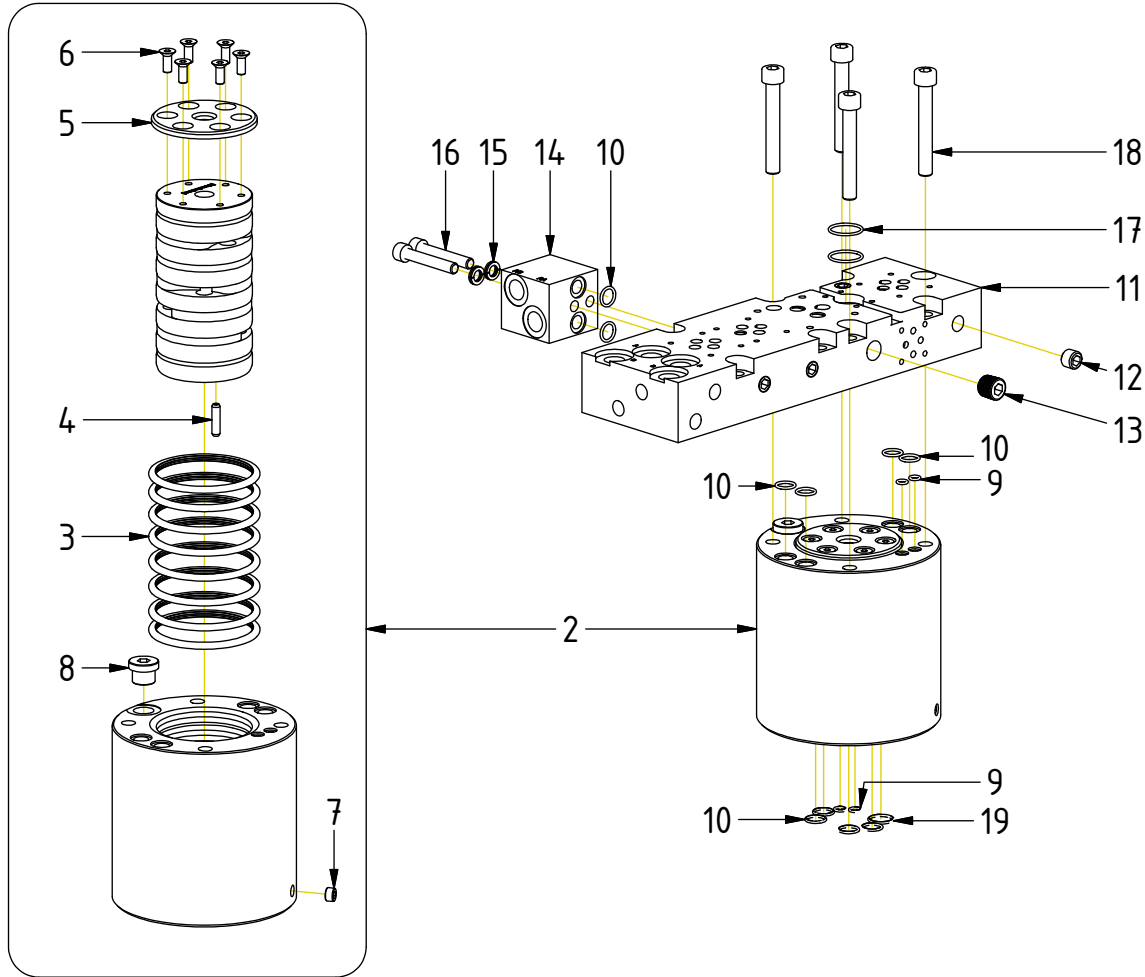
### Document changes:

Date:	Change:	Rev. after change:
2024-09-09	Seal kit added.	E
2021-03-15	Spart parts page added.	D
2017-11-20	Torque and glue added.	C
2017-07-07	Plug and spring added. Coversheet added.	B

*Readers note:* Indicates instruction. Represents Hose.

Dashed lines for overview, mounts  
on other pages/assemblies.

# Valve block & Swivel ECHF



POS	DESCRIPTION	PART	QTY	COMMENTS
1	Valve block 5v & Swivel 7-ch ECHF	1027386	1	(POS.2, 9-18 incl.)
2	Swivel 7-ch ECHF Complete	1026183	1	(POS.3-8 incl.)
3	Swivel Sealing 70/81x4,2	7000536	8	
4	Slotted spring pin	640403	1	Used from 2015
5	Wear washer	1026243	1	
6	Screw MF6S 6x16 10.9	610604	6	
7	Pipe plug	711507	1	
8	Plug 3/8"	711504	1	Used from 2022
9	O-ring 6,07x1,78	712422	4	QTY: 2 part of rotator frame assy.
10	O-ring 12,42x1,78	710973	10	QTY: 4 part of rotator frame assy.
11	Valveblock-ECHF	1062143	1	
12	Pipe plug 1/4"	711508	7	
13	Pipe plug 3/8"	711522	1	
14	Connection block motor	1024176	1	
15	Washer NL 8 mm	611040	2	
16	Screw MC6S 8x50H 12.9	610439	2	
17	O-ring 21.95x1.78 70sh	710983	2	
18	Screw MC6S 10x70 12.9	610461	4	Loxeal 83-52. Torque: 79Nm
19	O-ring 15,6x1,78	710912	1	Part of rotator frame assy.
20	Separate seal kit	7000952	1	(Contains seals and o-rings)

POS in order of assembly

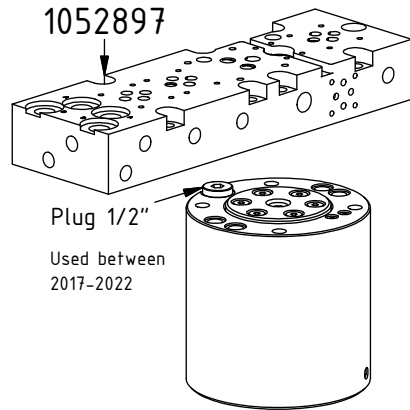
## SPARE PARTS

POS	DESCRIPTION	PART	QTY	COMMENTS
2	Swivel 7-ch ECHF Complete	1026183	1	(POS.3-8 incl.)
8	Plug 3/8"	711504	1	Used from 2022
10	O-ring 12,42x1,78	710973	10	QTY: 4 part of rotator frame assy.
21	Connection block ECHF	1026249	1	Used until 2019
22	Washer NL 6mm	611039	4	Used until 2019
23	Screw MC6S M6x55 12.9	610421	4	Used until 2019 Torque: 17Nm

POS in order of assembly

Used until 2022

(compatible with swivel previous rev I)



Used until 2019

