

COVERSHEET

Planned document changes:


Briefly:

No planned changes.

Document changes:

Date:	Change:	Rev. after change:
2026-05-04	S50 added.	B
2025-11-10	Tilt hoses corrected.	A
2025-08-26	New document.	-

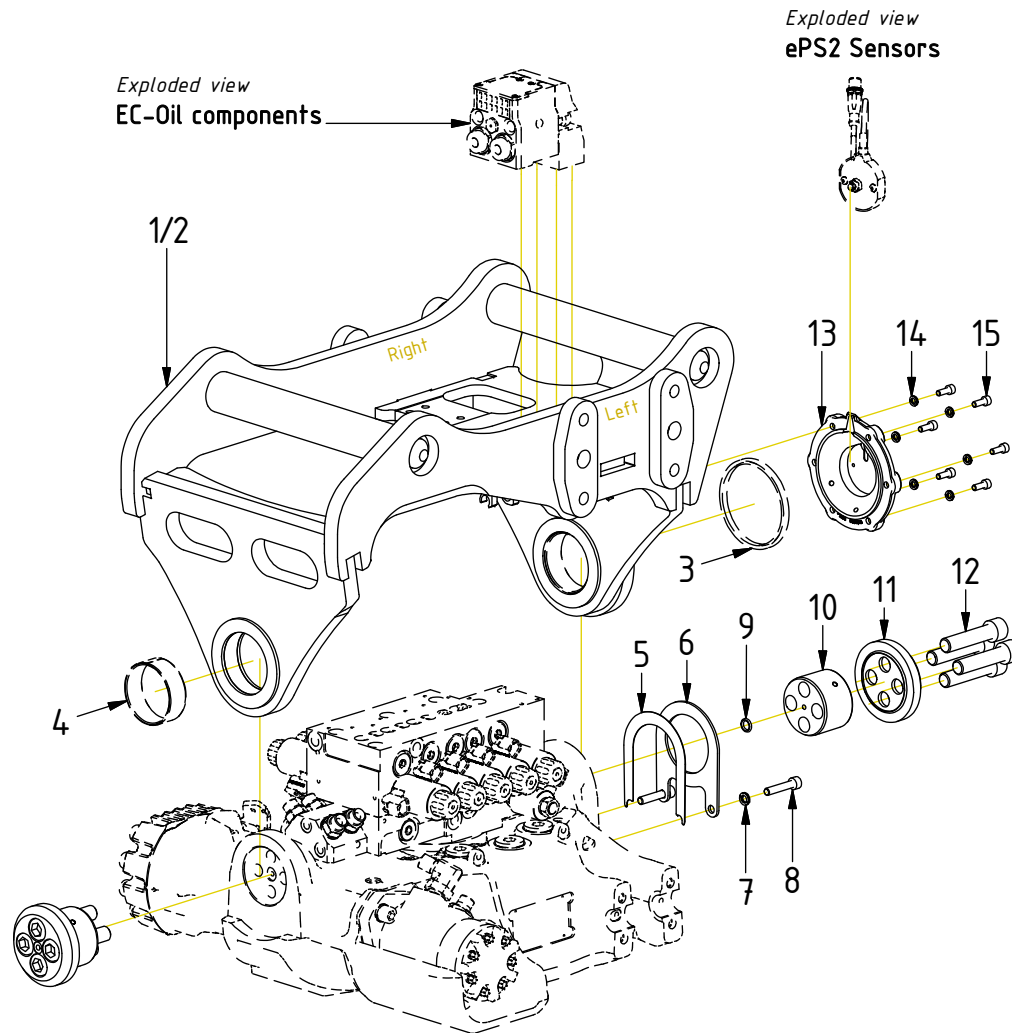
Readers note:

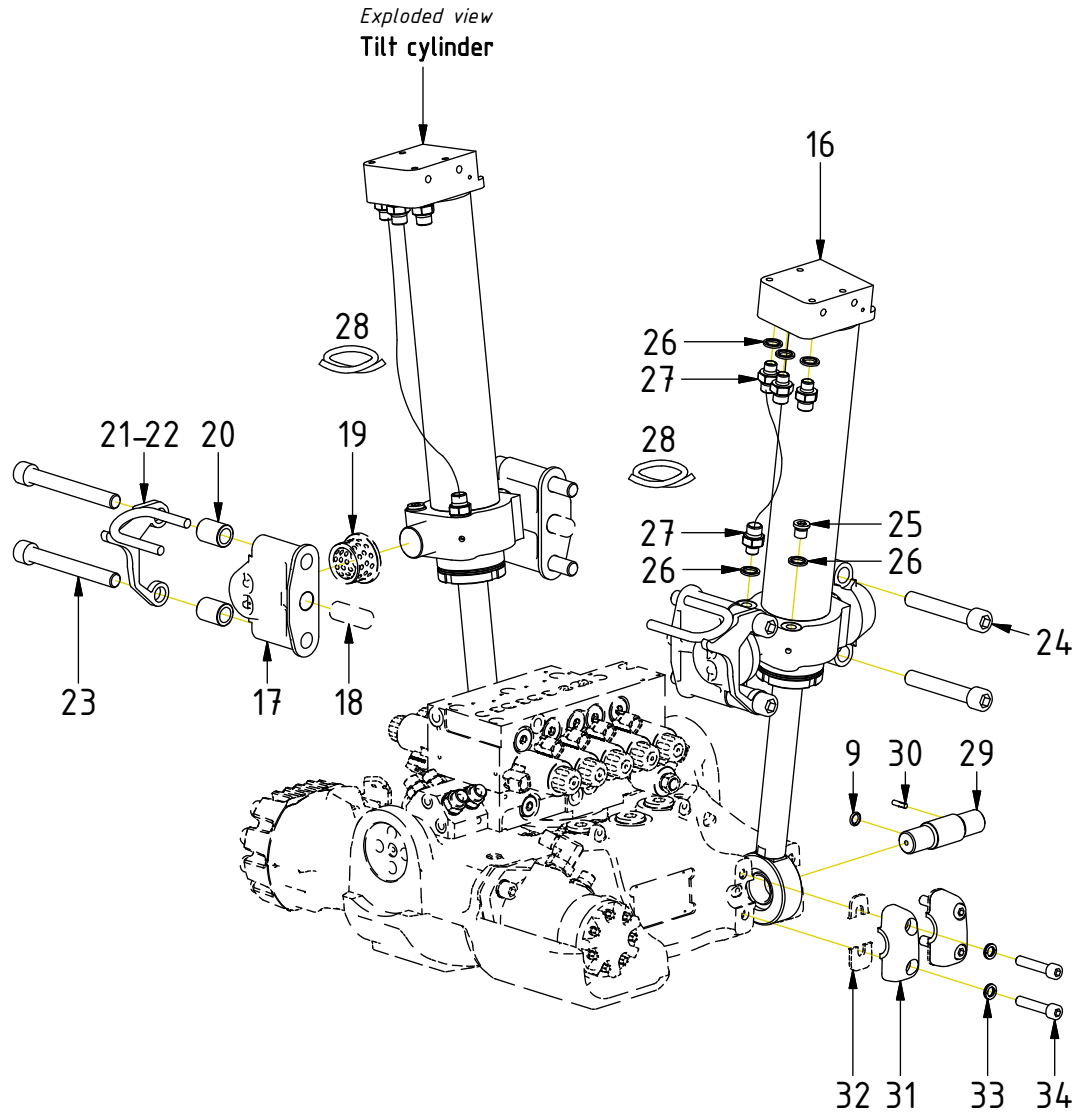
 Indicates instruction.

 Represents Hose.

Dashed lines for overview, mounts
on other pages/assemblies.

POS	DESCRIPTION	PART	QTY	COMMENTS
1	Top part QS45/S45 EC209B/EC309	1064575	1	(POS.3-4 incl.)
2	Top part QS50/S50 EC209B/EC309	1068175	1	(POS.3-4 incl.)
3	Seal PAK 90x100x7-L	1063597	1	Face groove toward top part
4	Bushing $\varnothing 65/70 \times 25$	630322	2	
5	Shim tilt axle	1016499	1	Use as required
6	Tilt axial washer	1016461	1	
7	Washer NL 8mm	611040	10	
8	Screw MC6S M8x40 12.9 ZFSL	6000145	2	
9	O-ring 9,92x2,62	710968	4	
10	Tilt shaft EC209B/EC309	1080802	2	
11	Tilt shaft flange EC209B/EC309	1080803	2	
12	Screw MC6S M16x70 12.9 ZFSL	6000144	8	Torque: 333Nm
13	Cover tiltaxle EC209B/EC309 Cast	1065626	1	
14	Washer NL 6mm	611039	6	
15	Screw MC6S M6x16 12.9 ZFSL	6000017	6	

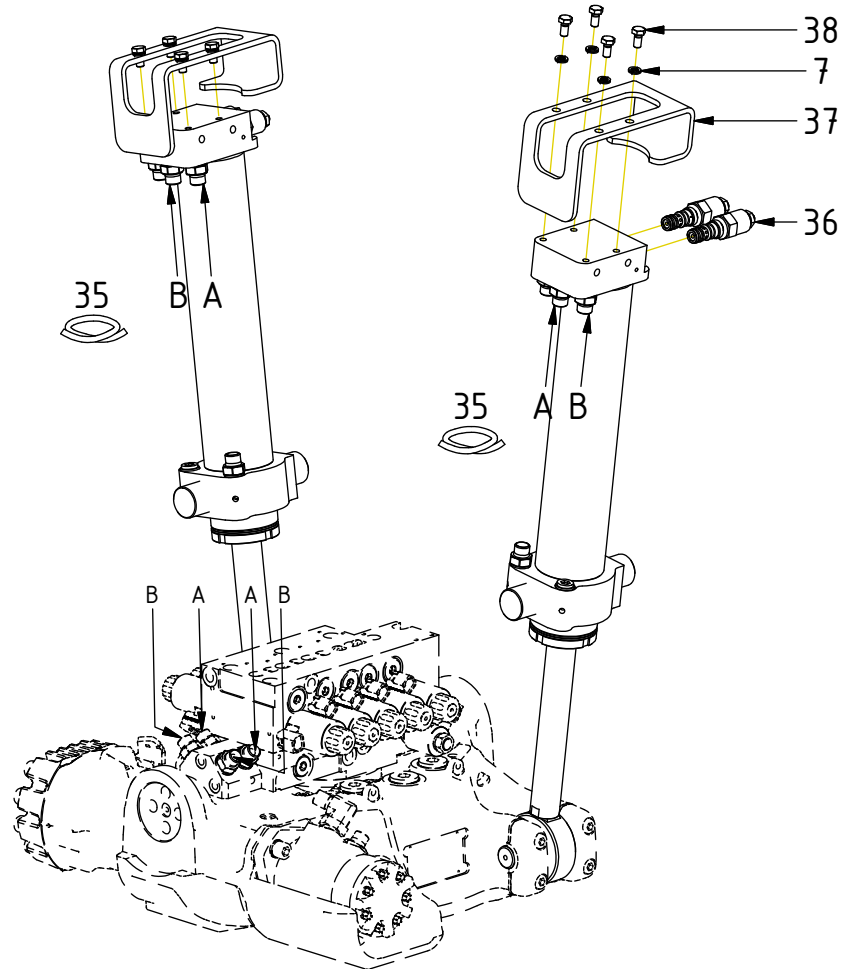




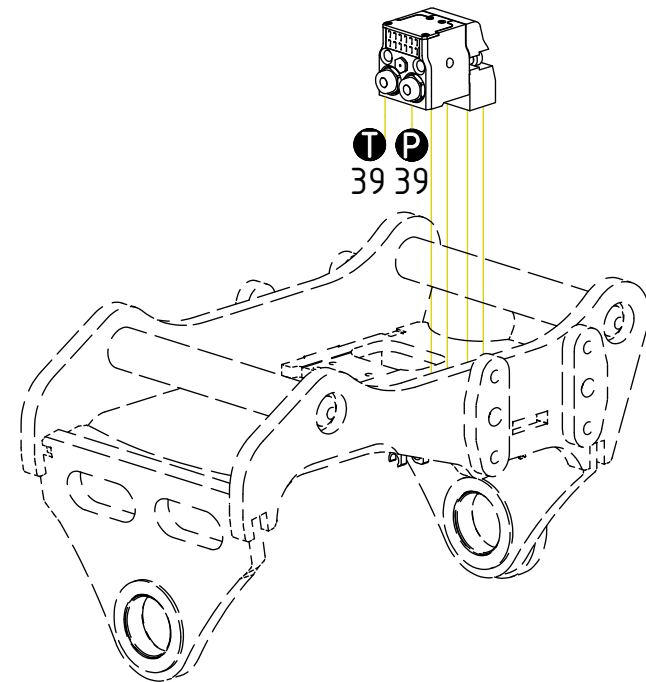
POS	DESCRIPTION	PART	QTY	COMMENTS
9	O-ring 9,92x2,62	710968	4	
16	Tilt cylinder	1041412	2	
17	Yoke cast lube free Complete	1023212	4	(POS.18-19 incl.)
18	Cylindrical pin \varnothing 20x50	650211	4	
19	Bushing 35/45/55/5x30	631003	4	
20	Distans terminal 32mm	1028040	4	
21	Hose guide Right for EC309	1046827	1	
22	Hose guide Left for EC309	1046828	1	
23	Screw MC6S M16x130 12.9 ZFSL	6000154	4	Torque: 333Nm
24	Screw MC6S M16x100 12.9 ZFSL	6000156	4	Torque: 333Nm
25	Plug 153-04 (1/4")	711505	2	
26	Washer GBR04 1/4	710702	10	
27	Adapter 135-04-06 (1/4"-3/8")	710118	8	
28	Hose Tilt Short	7002078	2	
29	Cylinder axle \varnothing 30	1016458	2	
30	Slotted pin 5x20	640413	2	
31	Clamping half Complete	1022942	4	(POS.32 incl.)
32	Rubber spacer clamping half	1016465	4	
33	Washer NL 10mm	611041	8	
34	Screw MC6S M10x50 12.9 ZFSL	611515	8	Torque: 79Nm

TILT

POS	DESCRIPTION	PART	QTY	COMMENTS
7	Washer NL 8mm	611040	10	
35	Hose Tilt Long	7002077	4	
36	Overcentre valve 10:1 adjustable	730269	4	Torque: 45Nm
37	Hose protection Tiltcyl.	1003774	2	
38	Screw M6S M8x16 8,8 FZB	610122	8	
39	Adapter 401-06-06 90° (3/8")	710152	2	



FEED



POS	DESCRIPTION	PART	QTY	COMMENTS
28	Hose Tilt Short	7002078	2	
35	Hose Tilt Long	7002077	4	
40	Hose Feed ECO P	7002076	1	Part of control system
41	Hose Feed ECO T	7002121	1	Part of control system
●	Use cable ties			

POS in order of assembly

