

COVERSHEET

Planned document changes:

Briefly:

2025-05-27. POS.7 updated to 6000441.

Document changes:

| Date: | Change: | Rev. after change: |
|------------|-------------------|-----------------------|
| 2024-11-07 | Screws corrected. | H |
| 2023-11-21 | Coversheet added. | G |

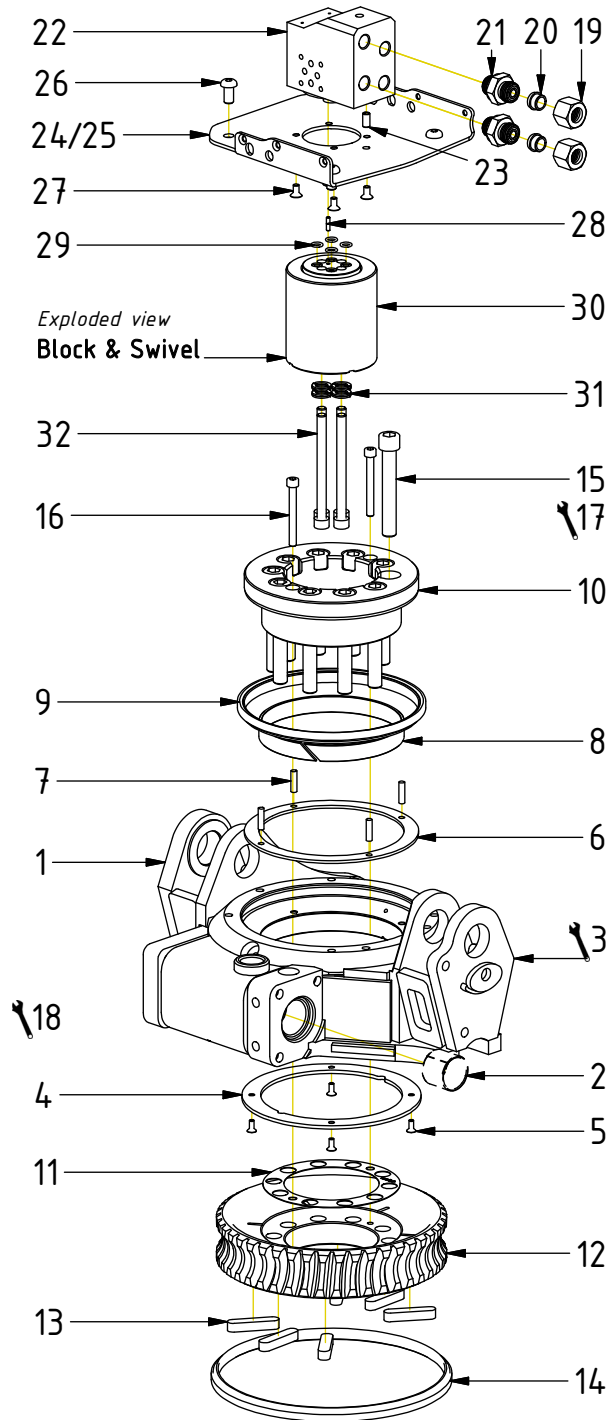
Readers note:

Indicates instruction.

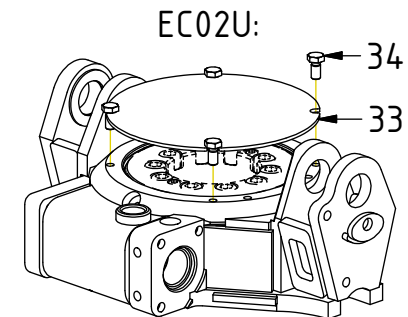


Represents Hose.

Dashed lines for overview, mounts
on other pages/assemblies.



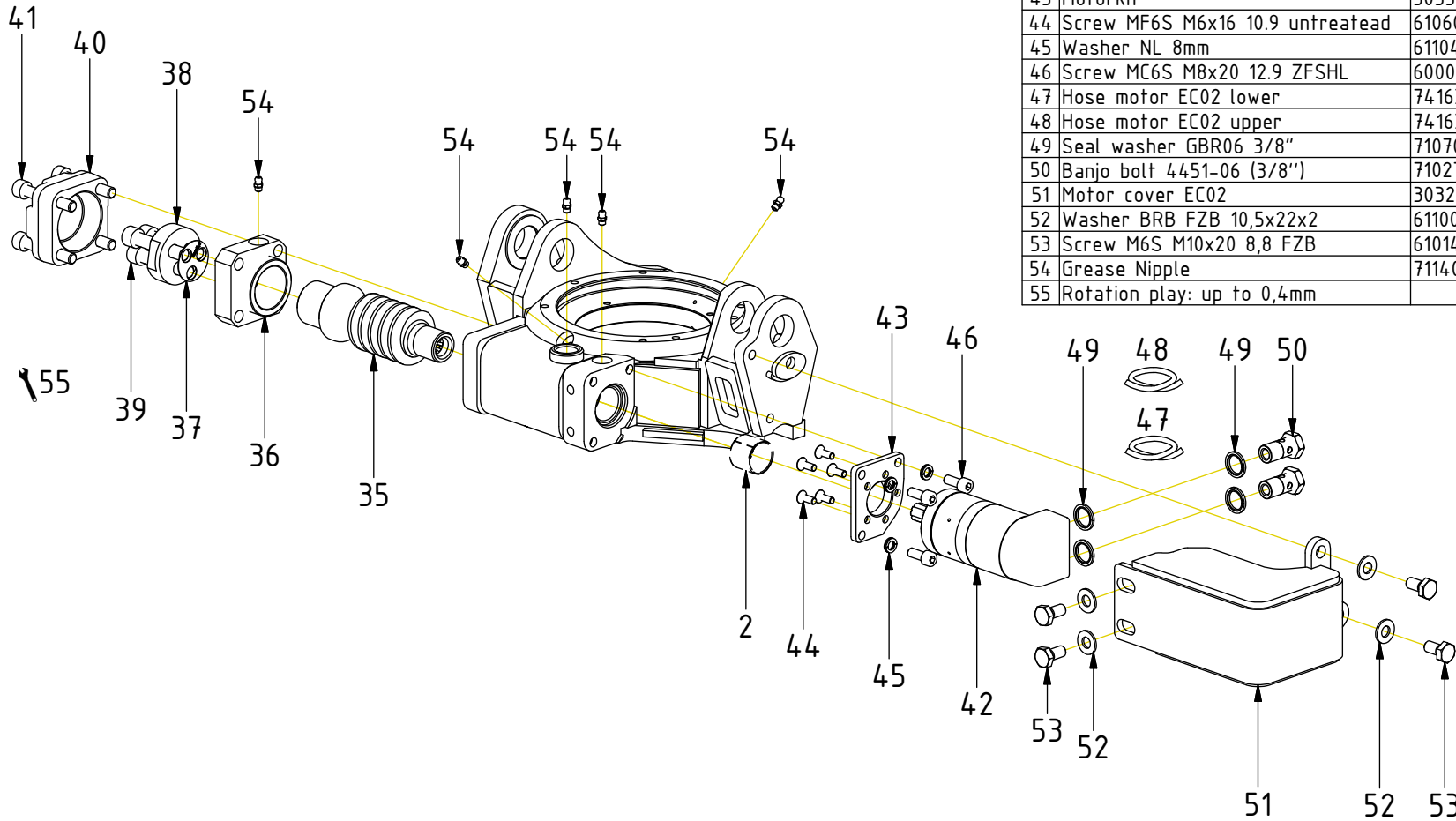
| POS | DESCRIPTION | PART | QTY | COMMENTS |
|-----|---|---------|-----|-----------------------------------|
| 1 | Rotator frame EC02 | 102484 | 1 | (POS.2 incl.) |
| 2 | Bushing WB700 28/31x25 | 630004 | 1 | |
| 3 | Punch serial no into rotator frame | | | |
| 4 | Wear washer | 303292 | 1 | |
| 5 | Screw MF6S M4x10 10.9 untreated | 610605 | 4 | |
| 6 | Wear ring | 303334 | 1 | |
| 7 | Slotted pin S5x20 | 640407 | 4 | Must not exceed Wear ring surface |
| 8 | Guide belt EC02 | 710953 | 1 | |
| 9 | Wiper seal (centre ring) | 710951 | 1 | |
| 10 | Centre ring | 303290 | 1 | |
| 11 | Shims kit Centre ring 0,5-0,6-0,7-0,8-1,0-1,5mm | 1010168 | 1 | |
| 12 | Worm wheel | 303291 | 1 | |
| 13 | Feather Key | 650101 | 6 | |
| 14 | Wiper seal (quick hitch) | 710952 | 1 | |
| 15 | Screw MC6S M12x80 12.9 ZFSL | 6000148 | 10 | Torque: 136Nm |
| 16 | Screw MC6S 6x55 12.9 untreated | 610421 | 2 | |
| 17 | Torque tighten rotator frame to hitch. Rotate to access all holes | | | |
| 18 | Break play: up to 0,3mm | | | |
| 19 | Cutting Ring Nut | 710194 | 2 | Assemble before valve block |
| 20 | Cutting Ring | 710350 | 2 | Assemble before valve block |
| 21 | Cutting ring connection | 710343 | 2 | Assemble before valve block |
| 22 | Valve block EC02 | 303557 | 1 | Part of control system |
| 23 | Spring rod FRP 6x12 | 640410 | 1 | Part of control system |
| 24 | Valve plate EC02 ss0 / ss5 / ss10 (DC2/SVAB) | 1001212 | 1 | Part of control system |
| 25 | Valve plate EC02 ss9 / ss3 | 303556 | 1 | Part of control system |
| 26 | Screw S6SS 6x12 | 611810 | 4 | Loxal 55-02 |
| 27 | Screw MF6S 5x10H 10.9 FZB | 610602 | 4 | |
| 28 | Spring rod FRP 3x12 | 640411 | 1 | Part of control system |
| 29 | O-ring 6,1x1,6 | 710954 | 4 | Part of control system |
| 30 | Swivel | 303430 | 1 | Part of control system |
| 31 | Washer NL 10mm | 611041 | 4 | |
| 32 | Screw MC6S 8x95 12.9 untreated | 610446 | 4 | Torque: 40Nm |
| 33 | Valve plate EC02U | 303444 | 1 | Part of control system |
| 34 | Screw M6S M8x16 8,8 FZB | 610122 | 4 | Loxal 55-02 |



POS in order of assembly

EC02 - Rotator frame

POS in order of assembly



| POS | DESCRIPTION | PART | QTY | COMMENTS |
|-----|---|---------|-----|-----------------------------|
| 2 | Bushing WB700 28/31x25 | 630004 | 1 | |
| 35 | Worm Screw | 202898 | 1 | |
| 36 | Screw bushing | 405201 | 1 | |
| 37 | Shims kit Worm screw 0,5-0,6-0,7-0,8-1,5mm | 1030966 | 1 | |
| 38 | Washer worm screw | 405234 | 1 | |
| 39 | Screw MC6S 12x60 12.9 ZFSHL | 6000140 | 3 | Torque: 136Nm |
| 40 | End lock | 303307 | 1 | |
| 41 | Screw MC6S M10x60 12.9 Geomet | 611503 | 4 | Torque: 79Nm |
| 42 | Hydraulic motor Charlynn 50cc | 720119 | 1 | Replaces 720113 from M27444 |
| 43 | Motorkit | 303306 | 1 | |
| 44 | Screw MF6S M6x16 10.9 untreatead | 610604 | 5 | Torque: 14Nm. Loxeal 55-02 |
| 45 | Washer NL 8mm | 611040 | 3 | |
| 46 | Screw MC6S M8x20 12.9 ZFSHL | 6000157 | 3 | Torque: 40Nm |
| 47 | Hose motor EC02 lower | 741632 | 1 | |
| 48 | Hose motor EC02 upper | 741631 | 1 | |
| 49 | Seal washer GBR06 3/8" | 710703 | 4 | |
| 50 | Banjo bolt 4451-06 (3/8") | 710272 | 2 | |
| 51 | Motor cover EC02 | 303286 | 1 | |
| 52 | Washer BRB FZB 10,5x22x2 | 611006 | 4 | |
| 53 | Screw M6S M10x20 8,8 FZB | 610141 | 4 | |
| 54 | Grease Nipple | 711405 | 5 | |
| 55 | Rotation play: up to 0,4mm | | | |