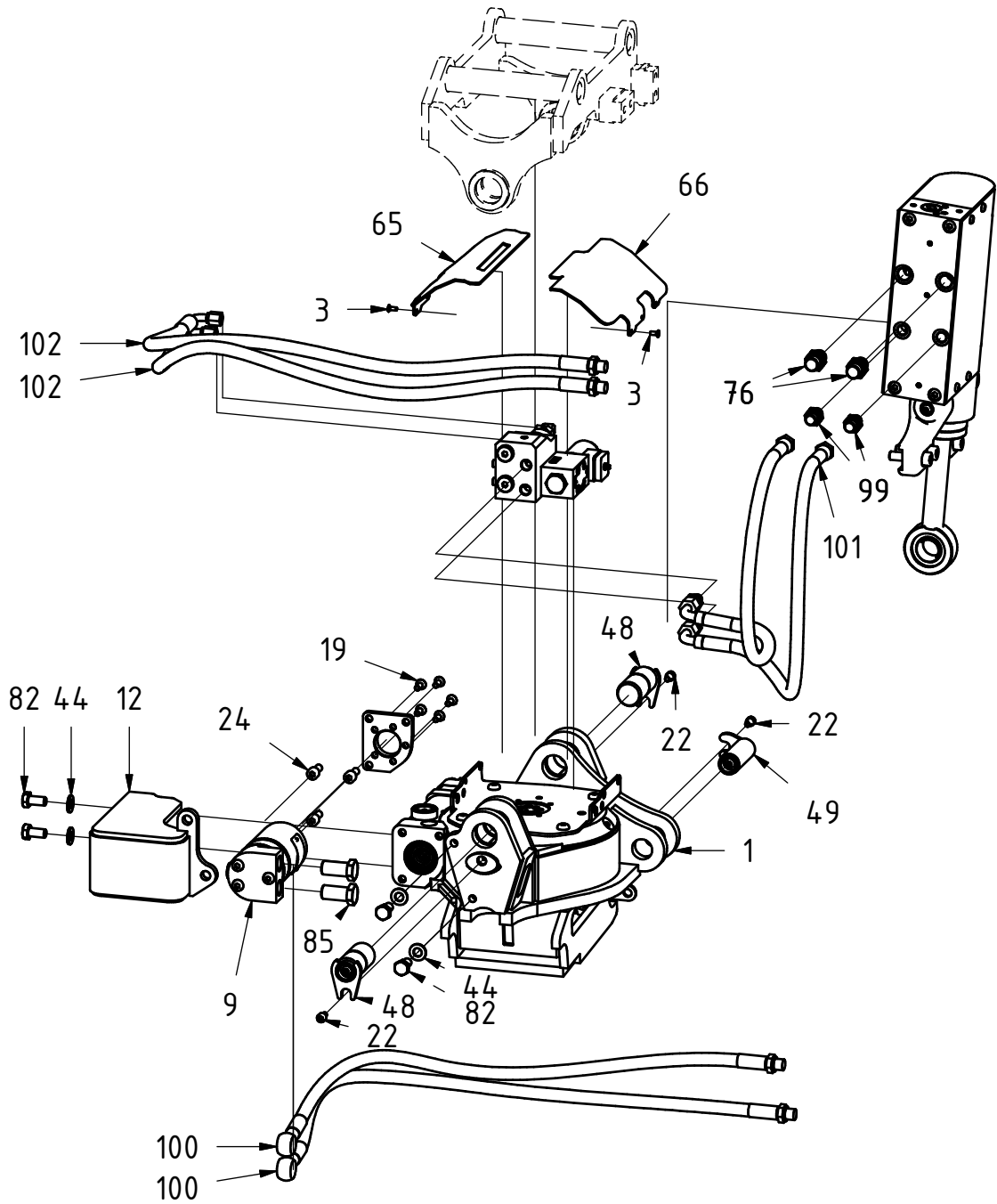


EC02 Control System 3

Published:2011-01-13

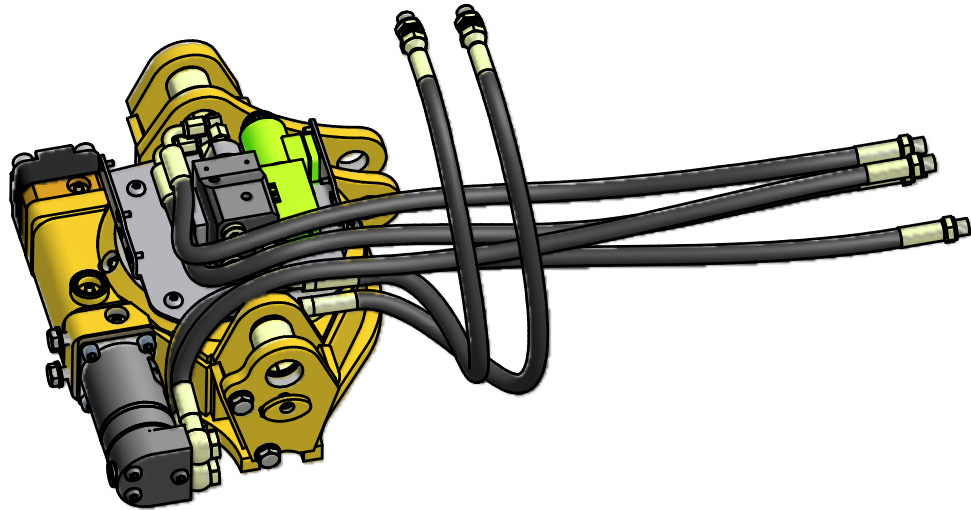
Drawing No:1014473/



EC02 Control System 3

Published:2011-01-13

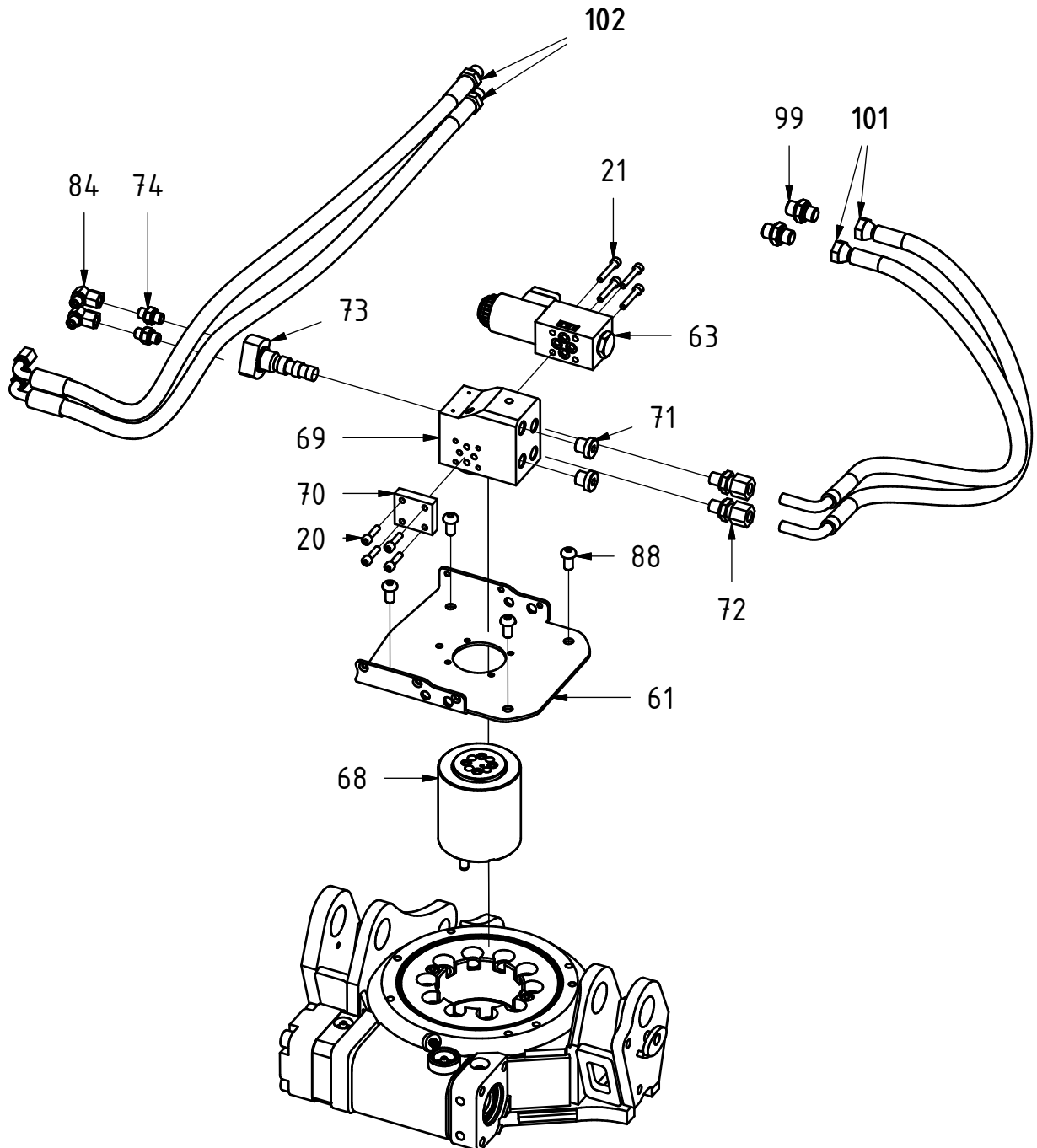
Drawing No:1014473/



EC02 Control System 3

Published:2011-01-13

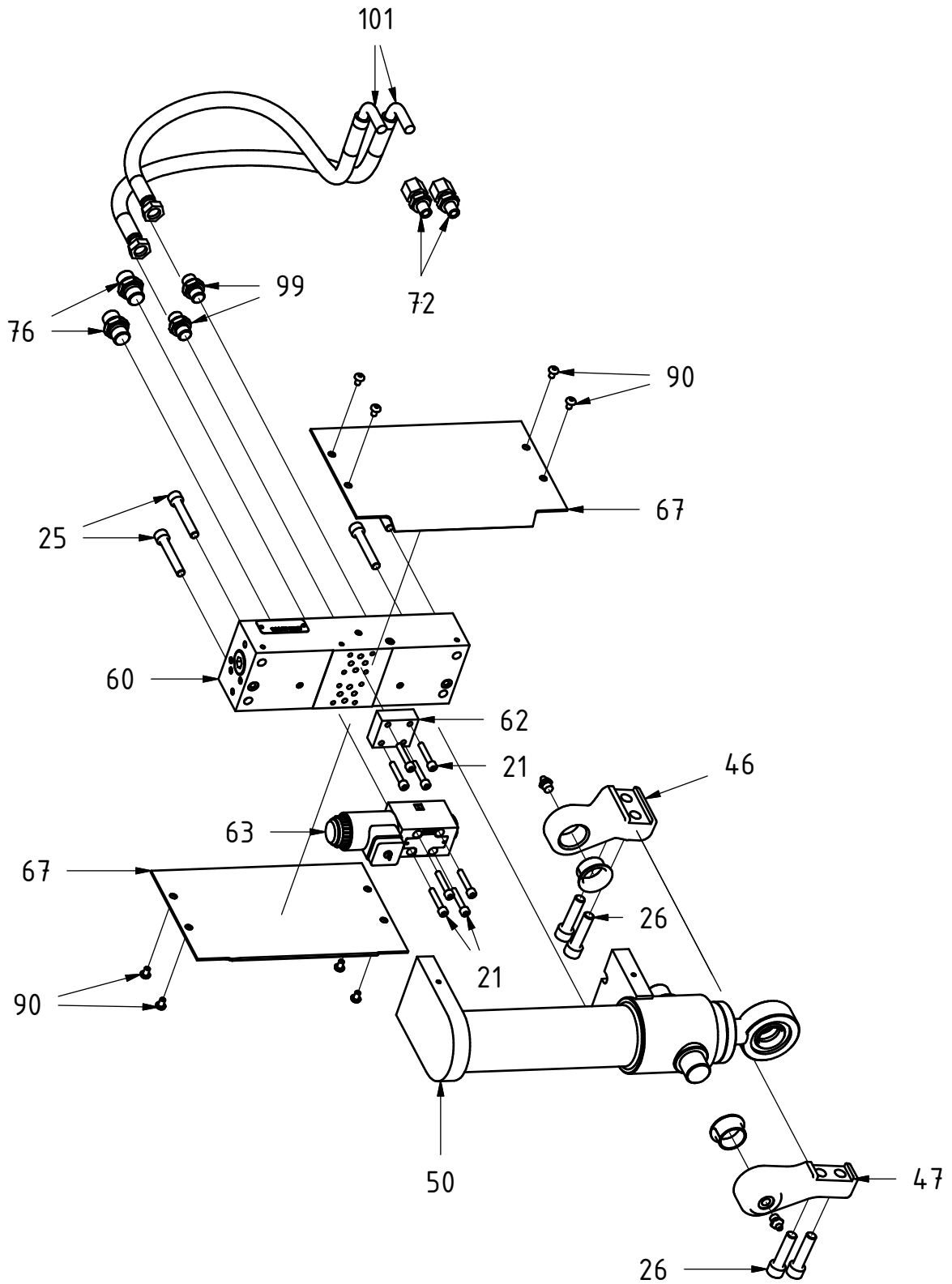
Drawing No:1014473/



EC02 Control System 3

Published:2011-01-13

Drawing No:1014473/



EC02 Control System 3

Published:2011-01-13				Drawing No:1014473/	
POS	DESCRIPTION	PART	QTY	COMMENTS	
1	Main Frame Machining	102484	1		
2	Wear washer	303292	1		
3	Flat head socket screw 4x10	610605	10		
4	Wormgear EC02	303291	1		
5	Feather Key	650101	6		
6	Centerring	303290	1		
7	Bearing	303334	1		
8	Wear Ring	710953	1		
9	Motor J2 50cc Charlyn T-Motor	720119	1		
10	Seal quick coupler	710952	1		
11	Seal centre ring	710951	1		
12	Cover	303286	1		
13	Slotted pin S5x20	640407	4		
14	Motor Adapter	303306	1		
15	Worm Screw	202898	1		
16	Gear bearing	405201	1		
17	Gearcap Casted	303307	1		
18	Grease Nipple	711405	5		
19	Flat head socket screw 6x16	610309	5		
20	Socket Head Screw 5 x 20	610400	4	12.9 Untreated ISO 4762	
21	Socket Head Screw 5 x 30	610403	12		
22	Socket Head Screw 6 x 10	611512	3		
23	Socket Head Screw 6 x 55	610421	2		
24	Socket Head Screw 8 x 20	610433	3		
25	Socket Head Screw 8 x 50	610439	4		
26	Socket Head Screw 10 x 40	610453	4		
27	Socket Head Screw 10 x 60	611503	4		
28	Socket Head Screw 12 x 60	610480	3		
29	Socket Head Screw 12 x 80	610484	10		
30	Spacer 0,7mm	405216	1		
31	Spacer 0,8mm	405213	1		
32	Spacer 0,7mm	405220	1		
33	Spacer 0,8mm	405217	1		
34	Spacer 0,5mm	405214	1		
35	Spacer 0,6mm	405215	1		
36	Spacer 2mm	405235	1		
37	Spacer 3mm	405236	1		
38	Spacer 0,5mm	405218	1		
39	Spacer 0,6mm	405219	1		
40	Spacer 1mm	405212	1		
41	Bushing 30/34x30	ECH100439	2		
42	Bushing 25/28/35x16	630001	2		
43	Washer	405234	1		
44	Flat Washer	611006	4		
45	Bearing 28/30x25	630004	1		
46	Tiltcylinder bracket	405195	1		
47	Tiltcylinder bracket	405200	1		
48	Tilt axle	405186	2		
49	Tilt cylinder axle	405187	1		
50	Tilt cylinder	303561	1		
60	Cylinderblock NG4	303558	1		
61	Cover center	1001212	1		
62	Överflödningsblock	730151	1		
63	Valve NG4 Closed 12V	730153	2	RPE3-042P51/01200E8	
65	Cover ec02	1004883	1		
66	Cover ec02	1004884	1		
67	Lock Tiltcylinder EC02	1000046	2		
68	Swivel EC02	303430	1		
69	Rotation Block	303557	1		
70	Täckplatta universal NG4	730152	1		
71	Plug 1/4"	711505	2		
72	Adapter	710343	2		
73	Benämning på modell	730154	1		
74	Adapter	710102	2	132-02-02	
76	Adapter	710106	2		
80	Top bracket S30 (RF)	102600	1		
81	RF S30/150 EC02	102478	1		
82	Hex Head Screw 10 x 20	610141	4		
84	Adapter vinkel 030090-02-02	710219	2		
85	Banjobult	710272	2		
88	K6S M8x16H 10.9	611810	4		
90	K6S M5x8H 10.9	611801	8		
99	Adapter	710104	2		
100	Hose engine EC02 L1000mm	741629	2	4550-06-04/4502-04-04	
101	Hose TP-04 L470mm	741630	2	4540-10-04/4511-04-04	
102	Hose lock EC02 L1000mm	741605	2	4512-02-04/4502-04-04	