

COVERSHEET

Planned document changes:

Briefly:

No planned changes.

Document changes:

| Date: | Change: | Rev. after change: |
|------------|-------------------------------|-----------------------|
| 2025-12-17 | Lock plates added to S40SEMI. | A |
| 2024-02-27 | New document. | - |

Readers note:

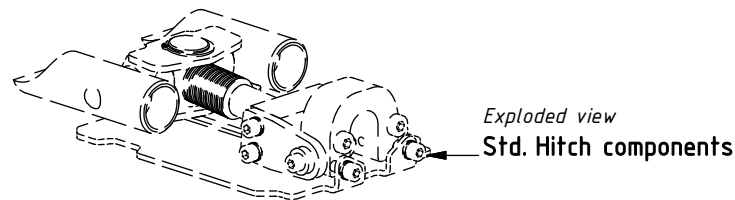
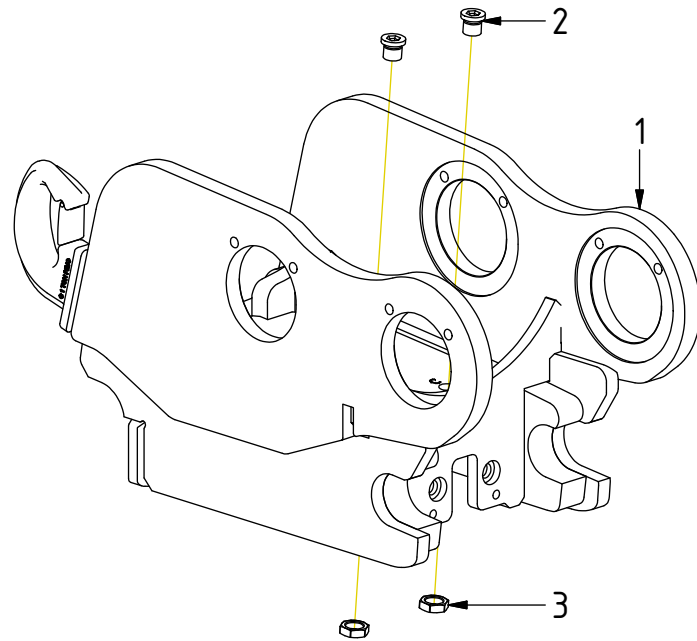
Indicates instruction.



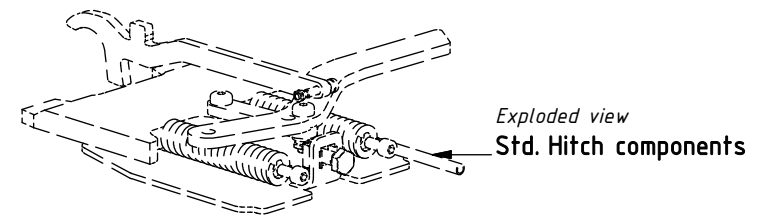
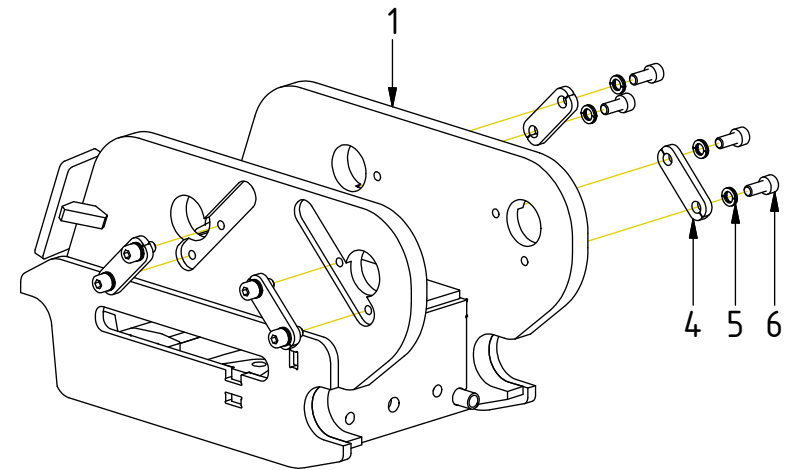
Represents Hose.

Dashed lines for overview, mounts
on other pages/assemblies.

| POS | DESCRIPTION | PART | QTY | COMMENTS |
|-----|------------------------------------|---------|-----|---------------------|
| 1 | Quick hitch is selected via engcon | | | (Machine dependent) |
| 2 | Plug 153-04 (1/4") | 711505 | 2 | |
| 3 | Counternut 1270-04 (1/4") | 710250 | 2 | |
| 4 | Lock plate QS45 | 1073400 | 4 | Used from 2026-01 |
| 5 | Washer NL 8mm | 611040 | 8 | Used from 2026-01 |
| 6 | Screw MC6S M8x18 12.9 ZFSHL | 6000467 | 8 | Used from 2026-01 |



S40SEMI



| POS | DESCRIPTION | PART | QTY | COMMENTS |
|-----|-------------|------|-----|----------|
|-----|-------------|------|-----|----------|

POS in order of assembly

