

## COVERSHEET

## Planned document changes:


**Briefly:**

---

No planned changes.

## Document changes:

<b>Date:</b>	<b>Change:</b>	<b>Rev. after change:</b>
2026-05-18	ss1 added.	A
2026-02-12	New document.	-

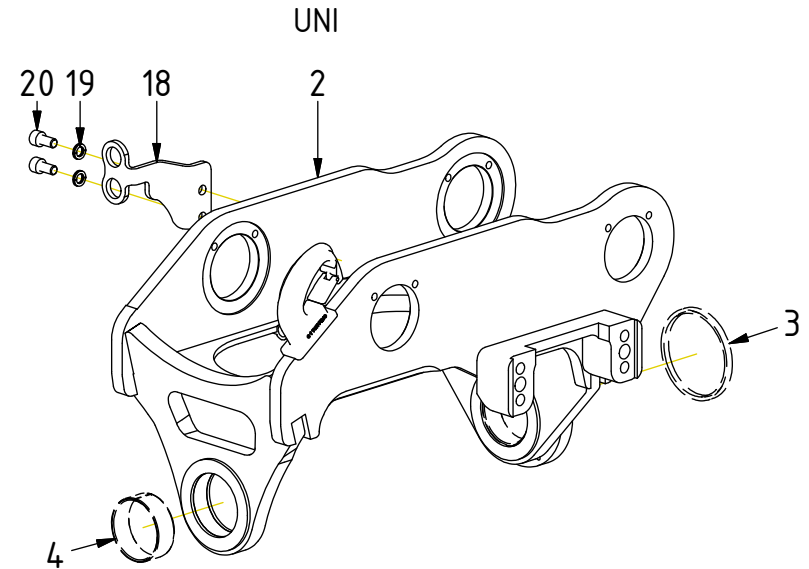
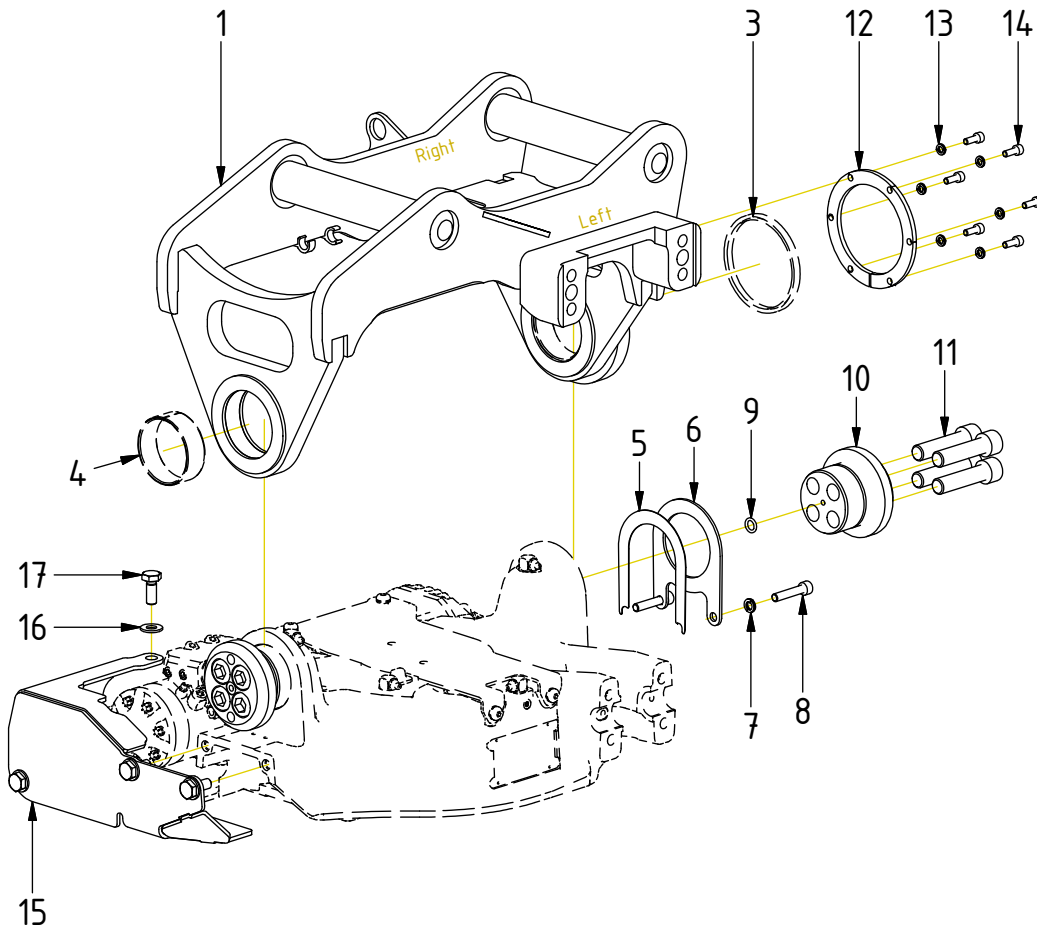
*Readers note:* Indicates instruction. Represents Hose.

Dashed lines for overview, mounts  
on other pages/assemblies.

# EC106 (EC206BU) - Top part

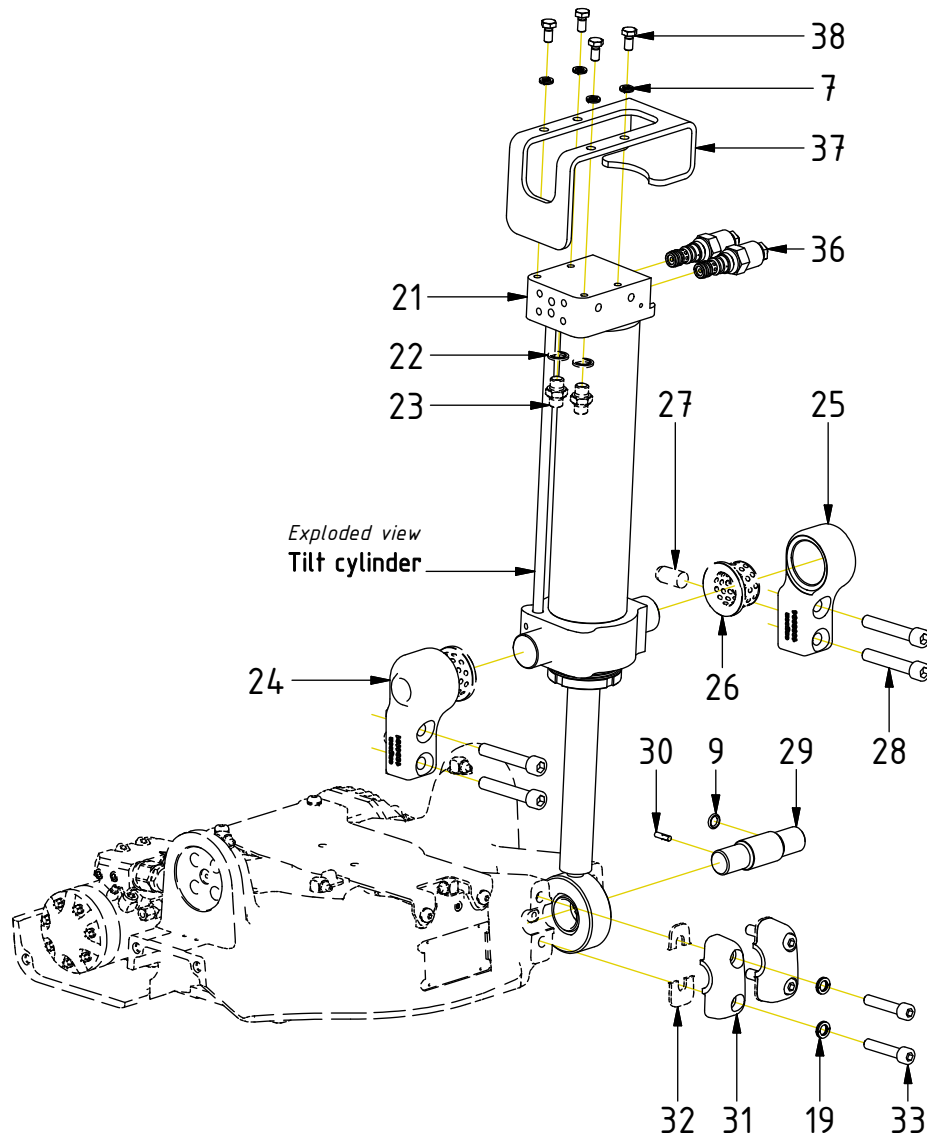
POS	DESCRIPTION	PART	QTY	COMMENTS
1	Top part QS40 EC206B	1062614	1	(POS.3-4 incl.)
2	Top part UNI is selected via engcon		1	(POS.3-4 incl.)
3	SEAL SKF PAK 90x100x7-L	1063597	1	Face groove toward top part
4	Bushing $\varnothing 65/70 \times 25$	630322	2	
5	Shims tilt axle	1016499	1	Use as required
6	Tilt axial washer	1016461	1	
7	Washer NL 8mm	611040	14	QTY: 8 part of Tilt cylinder
8	Screw MC6S M8x40 12.9 ZFSHL	6000145	2	
9	O-ring 9,92x2,62	710968	3	
10	Tilt axle EC206B	1062499	2	
11	Screw MC6S M16x65 12.9 ZFSHL	6000170	8	Torque: 333Nm
12	Cover Tilt Axle EC206 Cast	1064716	1	
13	Washer NL 6mm	611039	6	
14	Screw MC6S M6x16 12.9 ZFSHL	6000017	6	
15	Motor & lubrication cover EC206B	1068400	1	
16	Washer BRB 10,5x22x2 200 HV FZB	611006	4	
17	Screw M6S M10x25 8,8 FZB	610142	4	
18	Hose terminal UNI Right	1067532	1	
19	Washer NL 10mm	611041	6	
20	Screw MC6S M10x20 12.9	610451	2	

POS in order of assembly

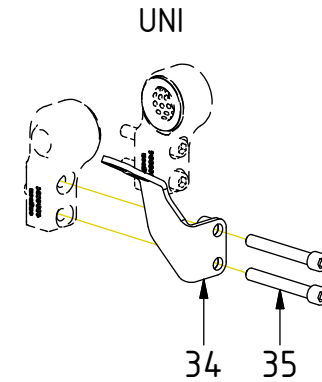


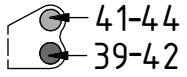
# EC106 (EC206BU) - Top part

POS in order of assembly



POS	DESCRIPTION	PART	QTY	COMMENTS
9	O-ring 9,92x2,62	710968	3	
19	Washer NL 10mm	611041	6	
21	Tilt cylinder EC206B	1066135	1	
22	Washer GBR04 1/4	710702	2	
23	Adapter 138-04-29 (1/4")	710135	2	
24	Yoke EC206 Front Complete	1023824	1	(POS.26-27 incl.)
25	Yoke EC206 Rear Complete	1023823	1	(POS.26-27 incl.)
26	Bushing 35/45/55/5x30	631003	2	
27	Cylindrical pin CPK $\varnothing$ 16x36 m6	650215	2	
28	Screw MC6S M12x70 12.9 ZFSHL	611517	4	QTY: 2 for UNI. Torque: 136Nm
29	Cylinder axle $\varnothing$ 30	1016458	1	
30	Slotted pin 5x20	640413	1	
31	Clamping half Complete	1022942	2	(POS.32 incl.)
32	Rubber spacer clamping half	1016465	2	
33	Screw MC6S M10x50 12.9 ZFSHL	611515	4	Torque: 79Nm
34	Hose terminal UNI Left	1067533	1	
35	Screw MC6S M12x90 12.9 ZFSHL	6000147	2	Torque: 136Nm
36	Overcentre valve 10:1	730269	2	Torque: 45Nm
37	Hose protection Tiltcylinder	1003774	1	
38	Screw M6S M8x16 8,8 FZB	610122	4	

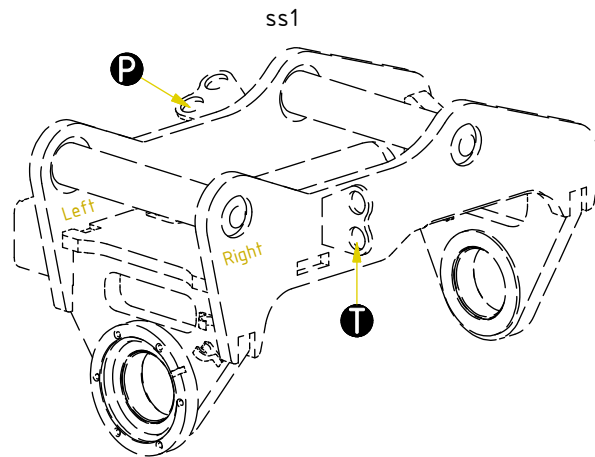
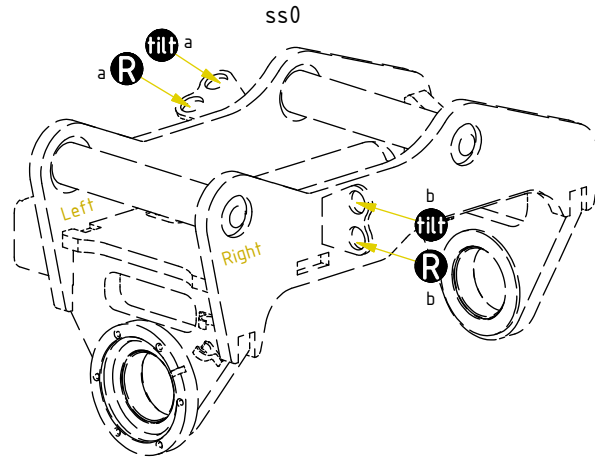




## FEED

POS	DESCRIPTION	PART	QTY	COMMENTS
39	Counternut 1270-06 (3/8")	710252	2	
40	Adapter 1260-06-43 (3/8")	710262	2	
41	O-ring		2	
42	Washer NL16sp 17,0x30,7x3,4	6000395	2	
43	Adapter 1260-04-04 (1/4")	710240	2	
44	Counternut 1270-04 (1/4")	710250	2	

POS in order of assembly



FEED

ss0

POS	DESCRIPTION	PART	QTY	COMMENTS
45	Hose Rotation a	7001669	1	
46	Hose Rotation a	7001670	1	
47	Hose Feed Tilt a	7000325	1	
48	Hose Feed Tilt b	7000324	1	



POS in order of assembly

FEED  
ss1

POS	DESCRIPTION	PART	QTY	COMMENTS
49	Hose Feed P	7002202	1	
50	Hose Feed T	7002203	1	

POS in order of assembly

Photo needed: ss1  
P & T to terminals