


## Planned document changes:

**Briefly:**

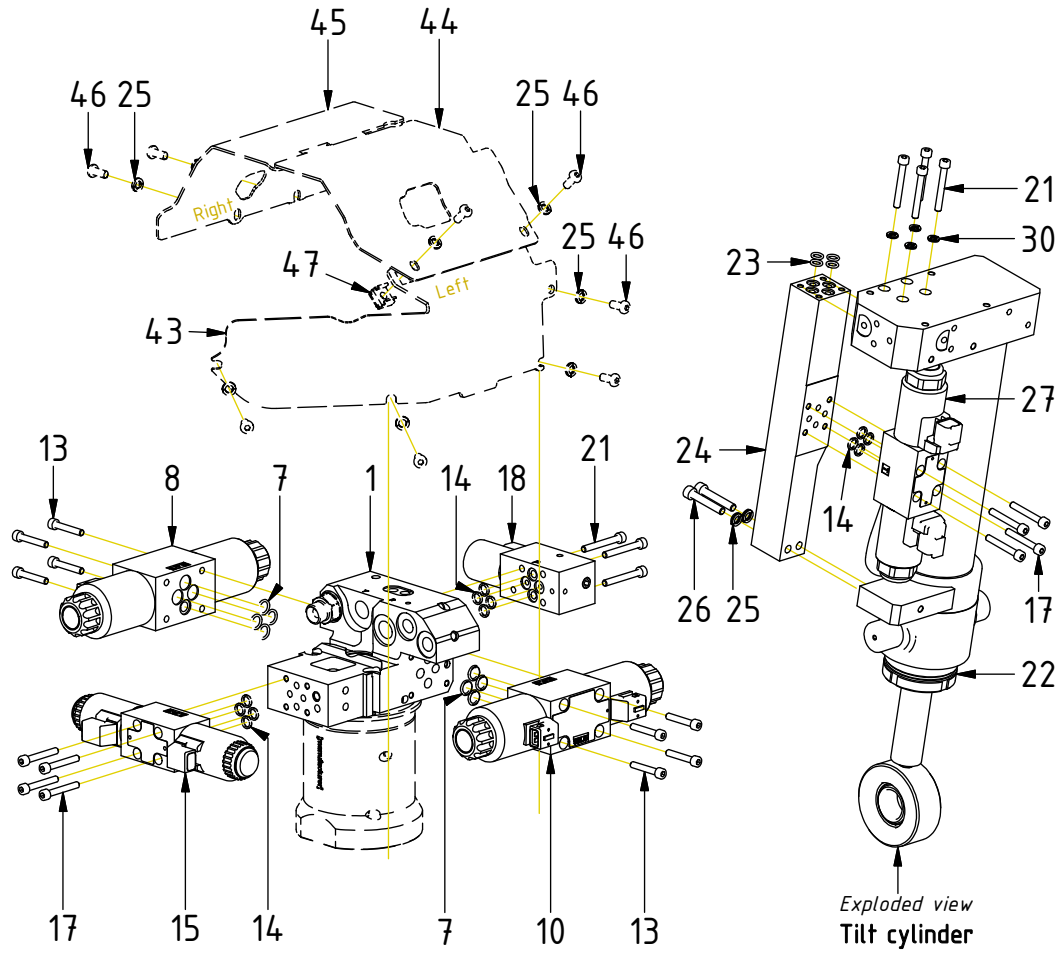
2025-08-13. Add ss10 (SVAB). Agg. cable: 8002815. Joint cable: 8002816. QS cable: 8002249.

## Document changes:

Date:	Change:	Rev. after change:
2026-01-30	Photos added.	D
2025-04-17	Hose for CW05 added. Photos added.	C
2025-03-12	Photos added.	B
2024-10-24	New document.	A
2024-04-29	Pre-series draft.	-

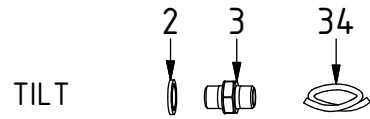
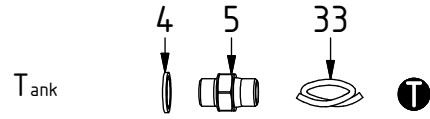
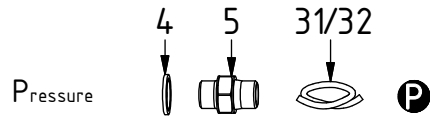
*Readers note:* Indicates instruction. Represents Hose.

Dashed lines for overview, mounts  
on other pages/assemblies.



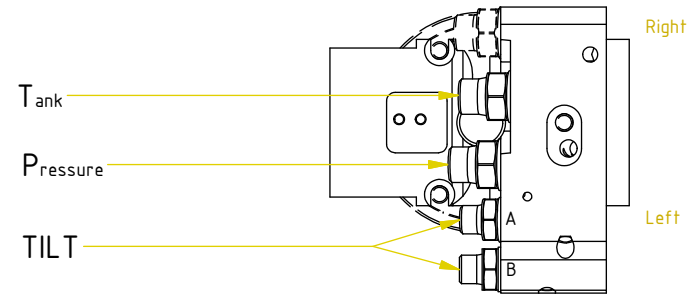
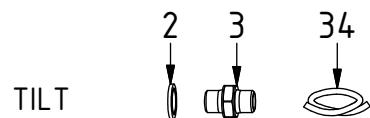
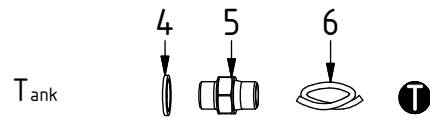
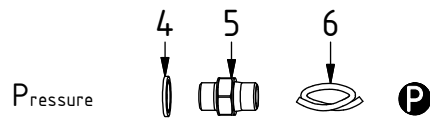
POS	DESCRIPTION	PART	QTY	COMMENTS
1	Valve block EC204B	1078622	1	Part of quick hitch
7	O-ring 9,25x1,78	710901	8	
8	Directional valve prop 12V	730190	1	(POS.7, 9, 12 incl.)
9	Coil 12V prop JT	730192	2	
10	Directional valve 14V	730101	1	(POS.7, 11, 12 incl.)
11	Coil 12V JT	730117	2	
12	Nut directional valve	730135	1	
13	Screw MC6S M5x30 12.9	610403	8	Torque: 9,7Nm
14	O-ring 7,65x1,78	710960	12	
15	Directional valve NG4 12V DT	7000099	1	(POS.14, 16, 29 incl.)
16	Coil 12V NG4 On/Off DT	7000897	2	
17	Screw MC6S M5x35 12.9	610404	8	Torque: 9,7Nm
18	Directional valve NG4 IQS 12V DT	1042047	1	(POS.14, 19, 20 incl.)
19	Coil IQS 12V DT	1042065	1	
20	Nut 1/2"	6000169	1	
21	Screw MC6S M5x40 12.9	610405	7	Torque: 9,7Nm
22	Tilt cylinder EC204B	1077744	1	Part of top part
23	O-ring 6,75x1,78	7001940	4	
24	Valve block tilt cylinder	1075504	1	
25	Washer NL 6mm	611039	10	QTY: 8 part of make up
26	Screw MC6S M6x35 12.9	610591	2	
27	Direct. valve NG4 Prop Tilt 12V DT	7000100	1	(POS.14, 28, 29 incl.)
28	Coil 12V NG4 DT	7000205	2	
29	Nut directional valve NG4	1006785	6	
30	Washer NL 5mm	611038	4	
43	Protective cover EC204B Lower	1076425	1	Part of make up
44	Protective cover EC204B Left	1076007	1	Part of make up
45	Protective cover EC204B Right	1076360	1	Part of make up
46	Screw K6S M6x14 10.9 FZB	6000242	8	Part of make up
47	Cage nut M6	6000411	2	Part of make up

### Hoses



POS	DESCRIPTION	PART	QTY	COMMENTS
2	Washer GBR04 1/4	710702	2	
3	Adapter 138-04-29 (1/4")	710135	2	
4	Washer GBR06 3/8	710703	2	
5	Adapter 136-06-06 (3/8")	710106	2	
6	Hose Feed ECO40	7001989	2	
31	Hose Feed P - QS40, UNI	7001991	1	
32	Hose Feed P - CW05	7002065	1	
33	Hose Feed T	7001992	1	
34	Hose Tilt	7001990	2	

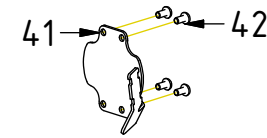
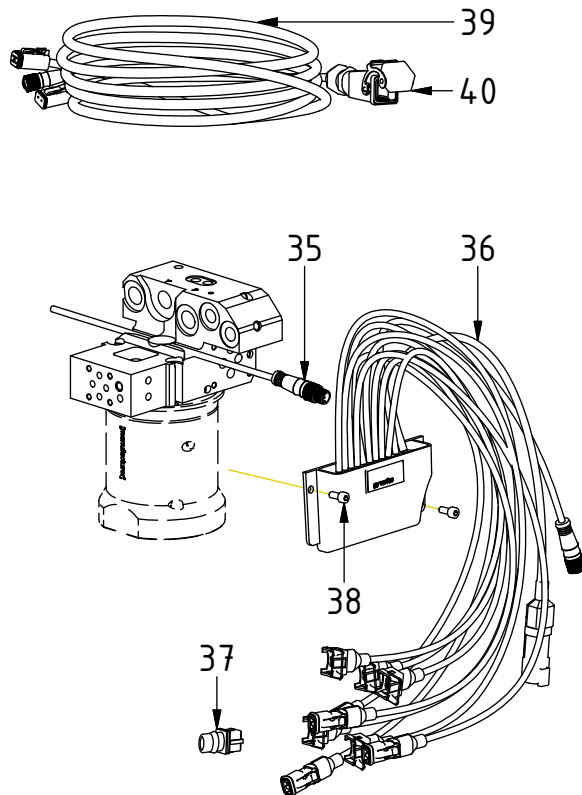
### EC-Oil:



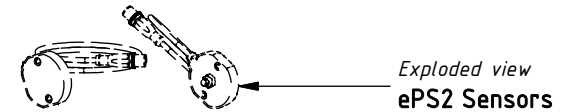
## Cables

POS	DESCRIPTION	PART	QTY	COMMENTS
35	Q-Safe connector			
36	Tiltrotator module DC2 Q-Safe	8002468	1	
37	Jumper JT QSC connected	1018662	1	Plug JT connector "1"
38	Screw MC6S M5x12 12.9	6000077	2	
39	Aggregate cable DC2 compl. QSC	8002470	1	
40	ILME cover	810208	1	(Incl. with agg.cable)
41	Cover	1076341	1	
42	Screw K6S M5x10 10.9 FZB	6000408	4	

POS in order of assembly

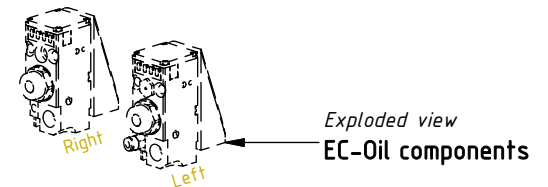


EC204BS:

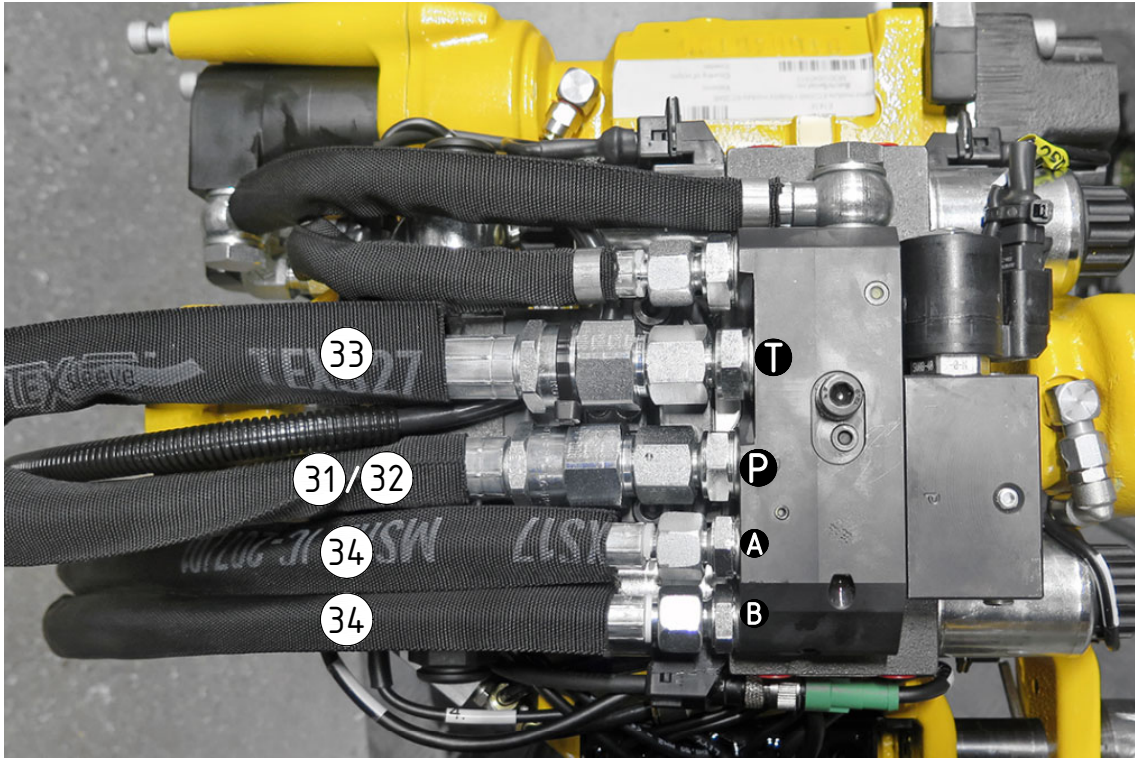


EC040:

(Left powerplug  
replaces agg.cable)

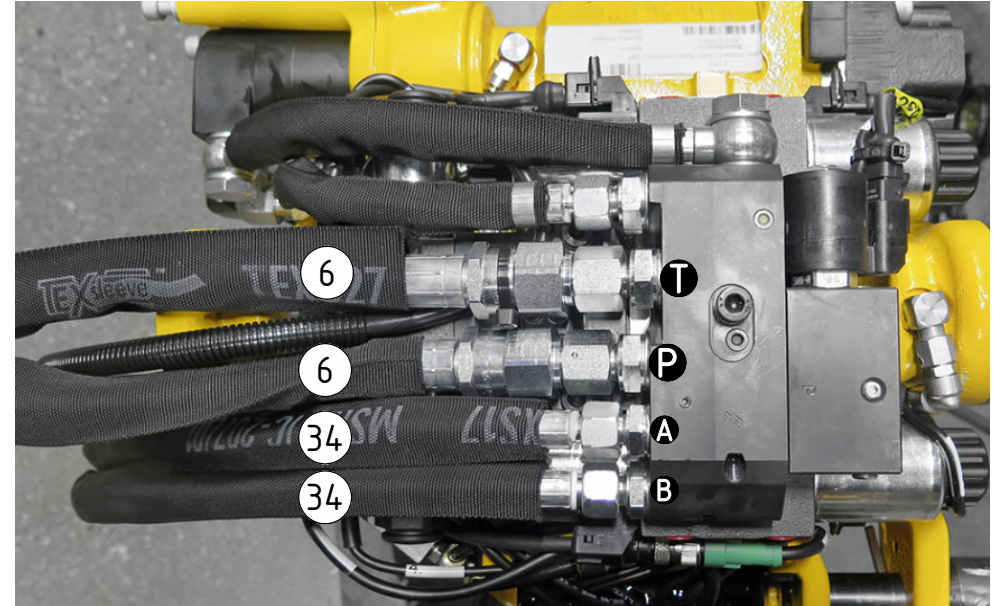


## Hoses Without EC-Oil



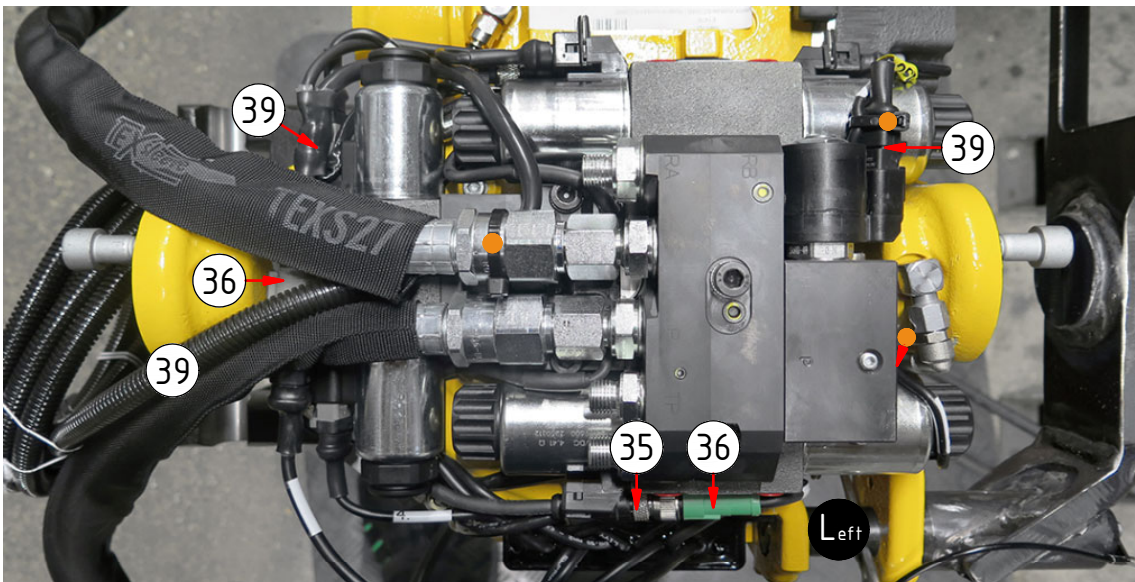
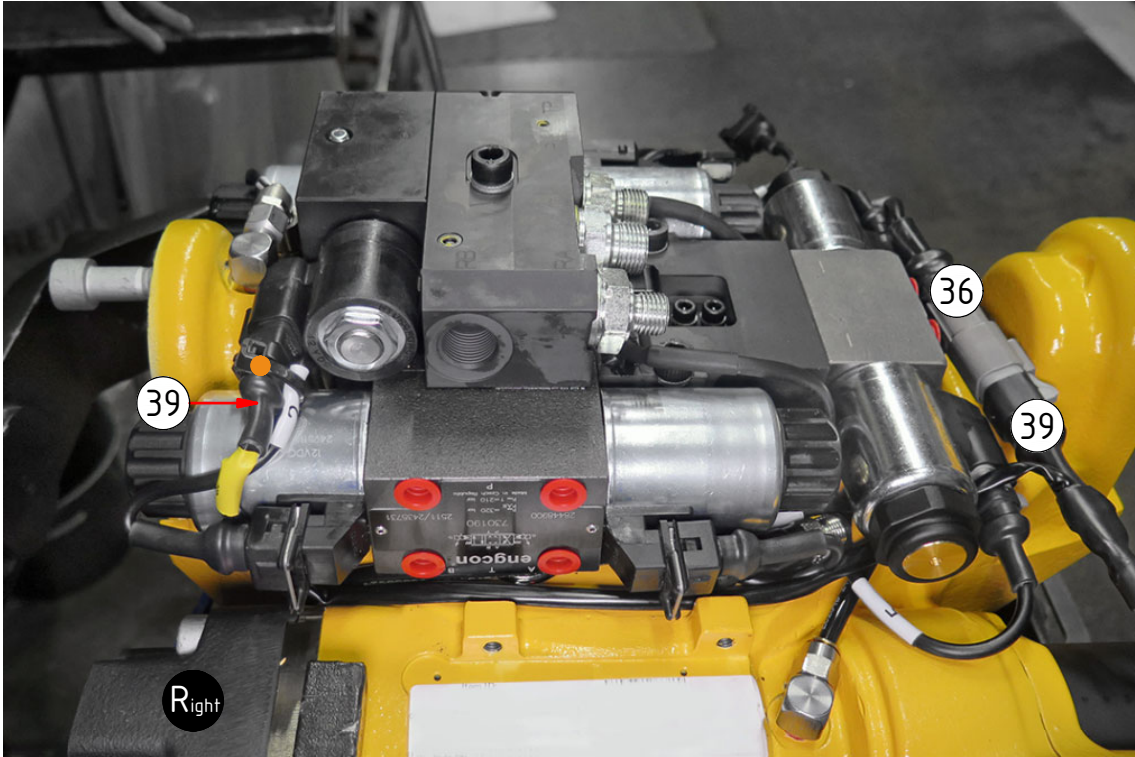
POS	DESCRIPTION	PART	QTY	COMMENTS
6	Hose Feed ECO40	7001989	2	
31	Hose Feed P - QS40, UNI	7001991	1	
32	Hose Feed P - CW05	7002065	1	
33	Hose Feed T	7001992	1	
34	Hose Tilt	7001990	2	

## EC-Oil:



POS in order of assembly

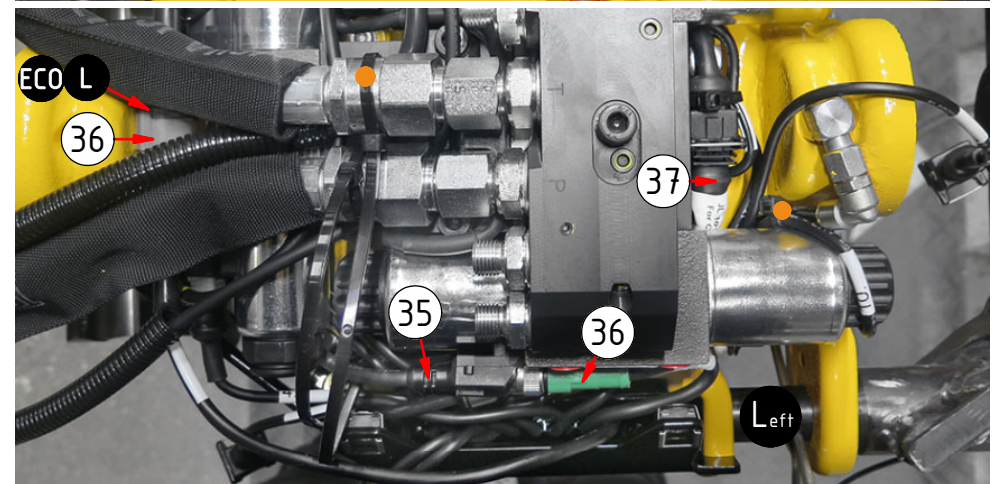
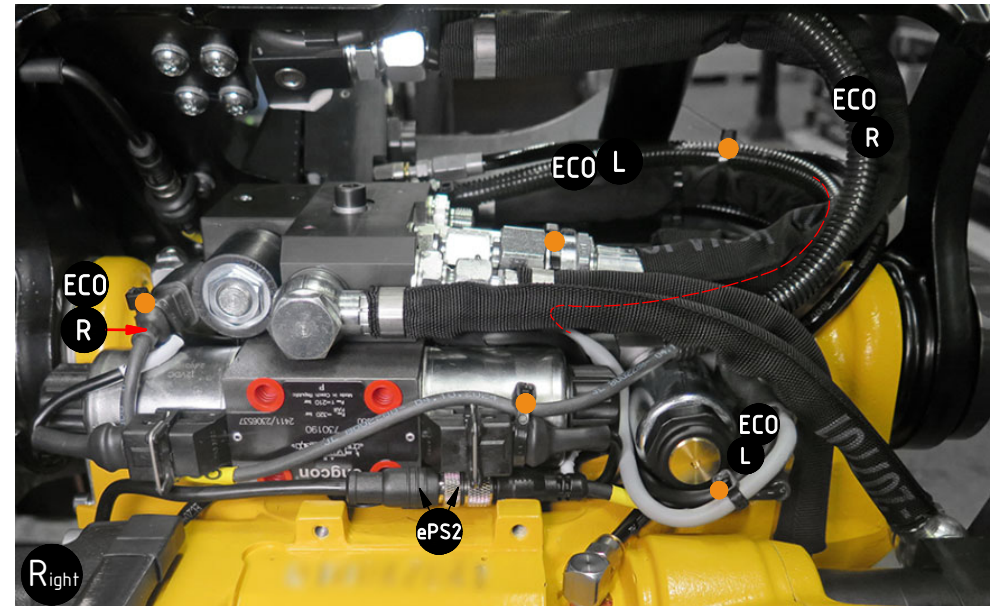
## Cables Without EC-Oil



POS	DESCRIPTION	PART	QTY	COMMENTS
35	Q-Safe connector			
36	Tiltrotator module DC2 Q-Safe	8002468	1	
37	Jumper JT QSC connected	1018662	1	Plug JT connector "1"
39	Aggregate cable DC2 compl. QSC	8002470	1	
● Use cable ties				

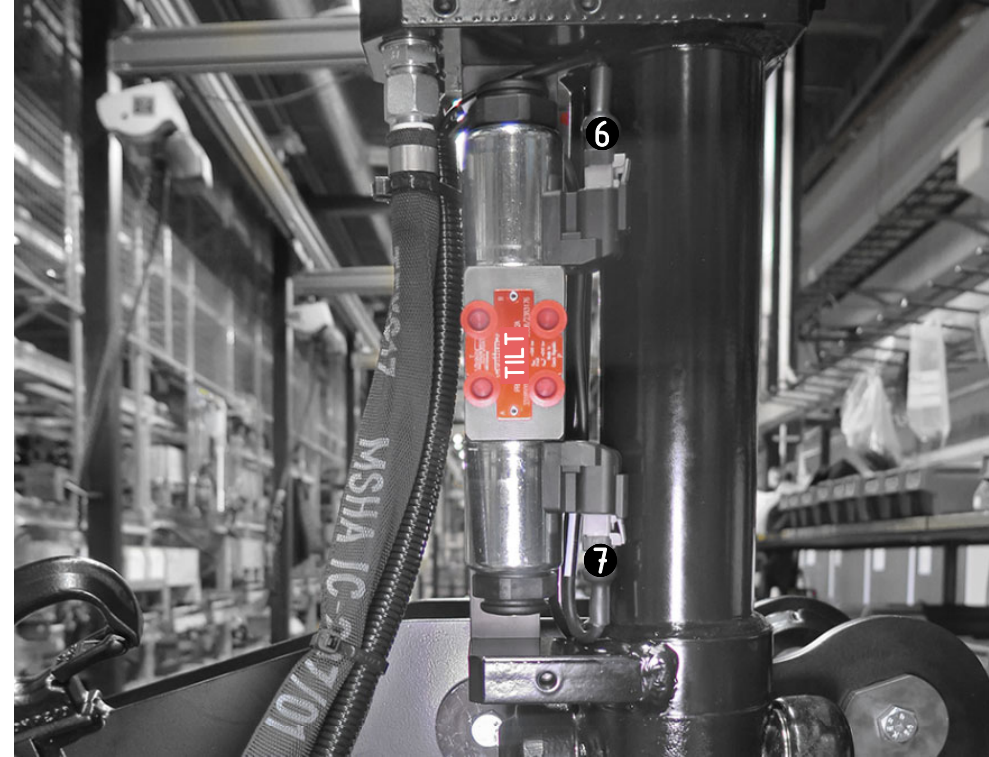
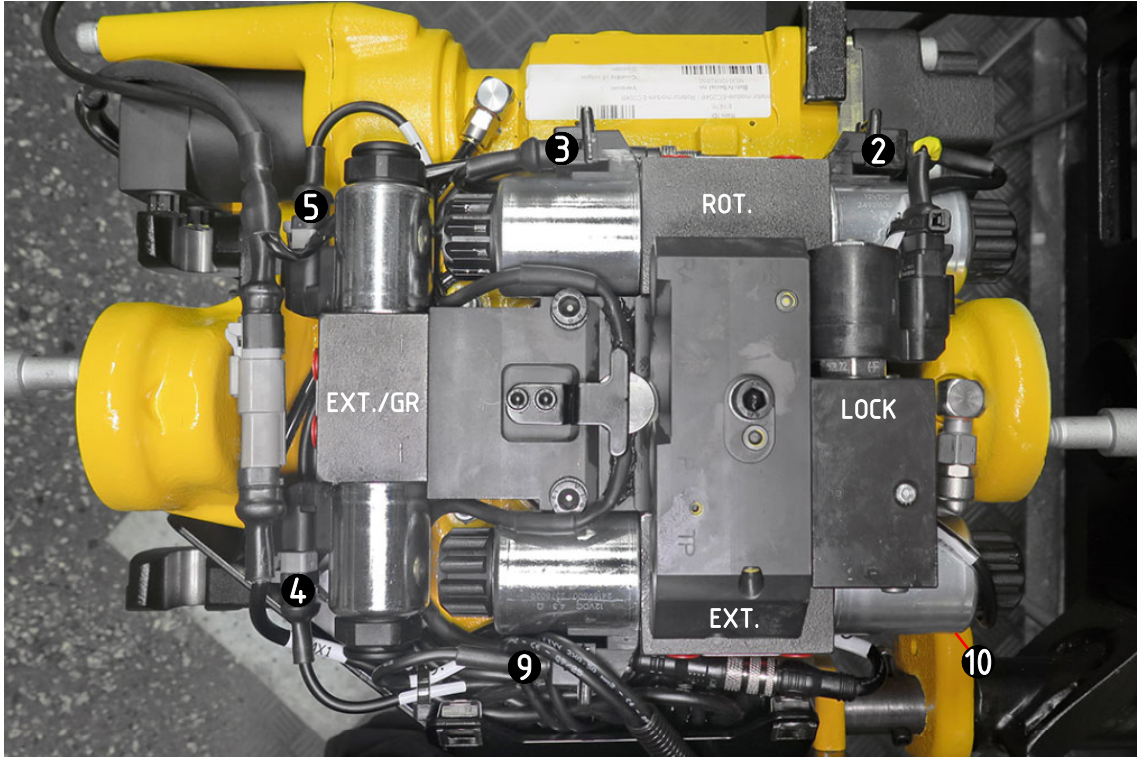
POS in order of assembly

## EC-Oil:



Valves

POS	DESCRIPTION	PART	QTY	COMMENTS
-----	-------------	------	-----	----------



POS in order of assembly