

COVERSHEET

Planned document changes:

Briefly:


2026-05-25. Correct part no for POS.19: 6000141 (ZFSHL).


2026-03-09. POS.7 will be replaced by 1074348. (Fully backwards compatible).

Document changes:

Date:	Change:	Rev. after change:
2025-05-09	Spare parts page option "With terminals" added.	D
2022-12-22	ss9SQ hose terminal updated, o-ring for Lb added.	C
2022-10-14	Feed Left no longer std config. New layout.	B
2020-11-04	Photos for option "With terminals" added.	A
2019-10-15	New document.	-

Readers note:

 Indicates instruction.

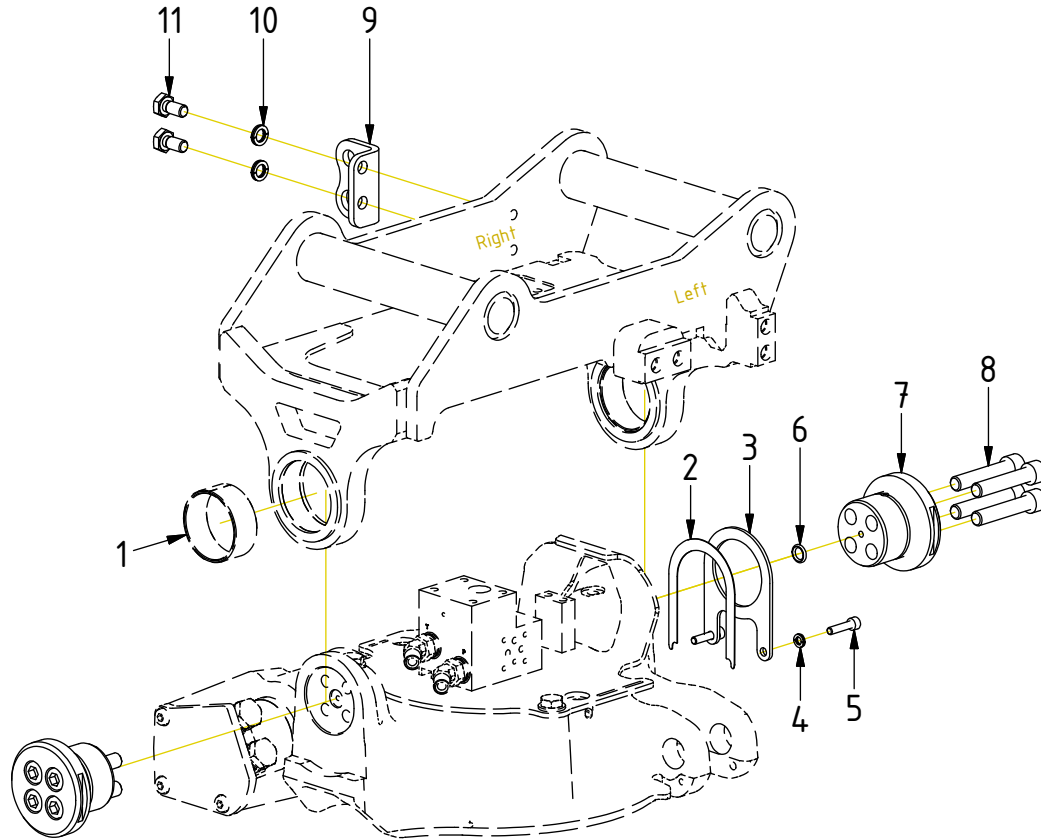
 Represents Hose.

Dashed lines for overview, mounts
on other pages/assemblies.

EC204 - Std. Top components

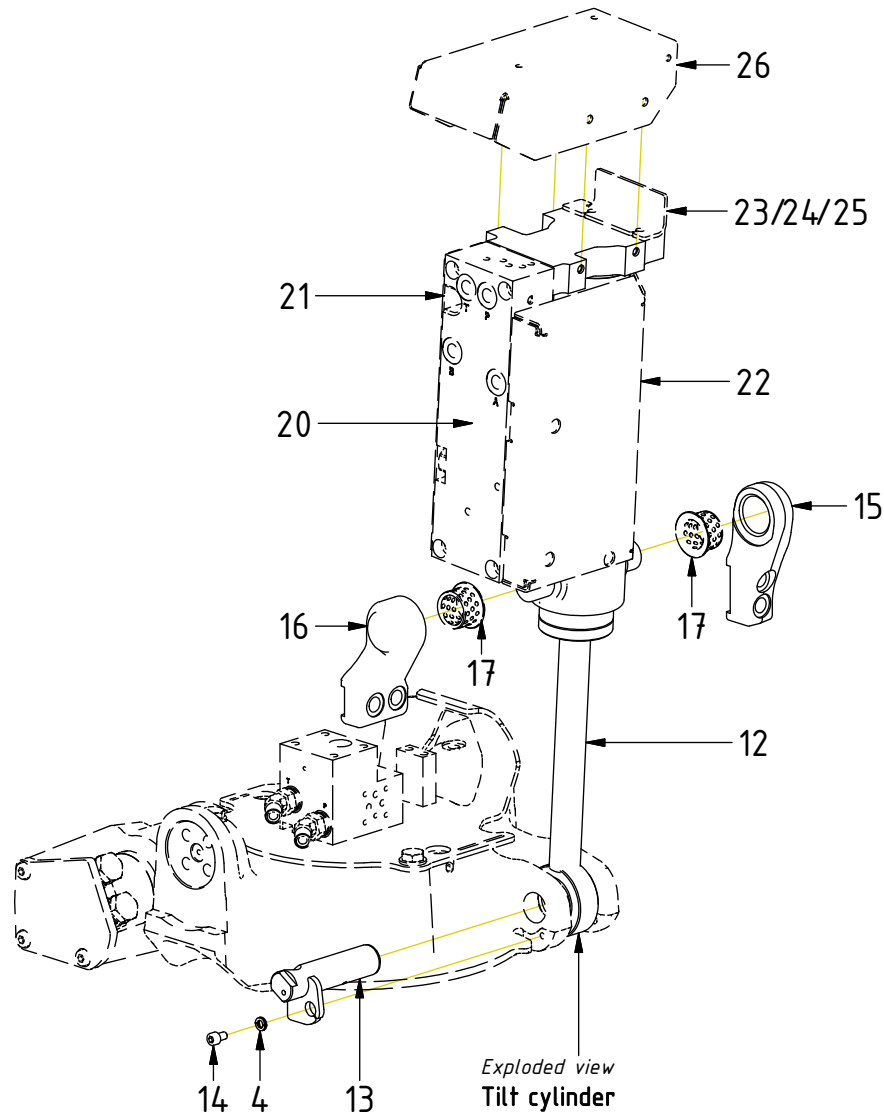
POS	DESCRIPTION	PART	QTY	COMMENTS
1	Bushing 55/60x25 WB802	6000004	2	(Incl. in Top part)
2	Shim tilt axle	1027820	1	Use as required
3	Axial washer tilt	1027785	1	
4	Washer NL 6mm	611039	3	
5	Screw MC6S M6x25 12.9	6000083	2	
6	O-ring 9,92x2,62	710968	2	
7	Tilt axle $\varnothing 55$	1016576	2	
8	Screw MC6S M12x60 12.9 ZFSL	6000140	8	Torque: 136Nm
9	Hose terminal EC204 right	1045070	1	For Feed Right+Left
10	Washer NL 10mm	611041	4	For Feed Right+Left
11	Screw M6S M10x20 8,8 FZB	610141	2	For Feed Right+Left

POS in order of assembly



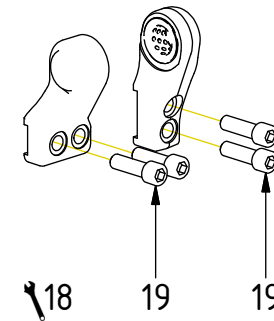
EC204 - Std. Top components

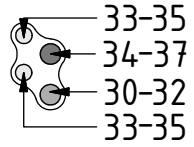
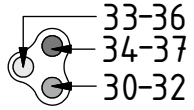
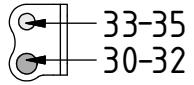
POS in order of assembly



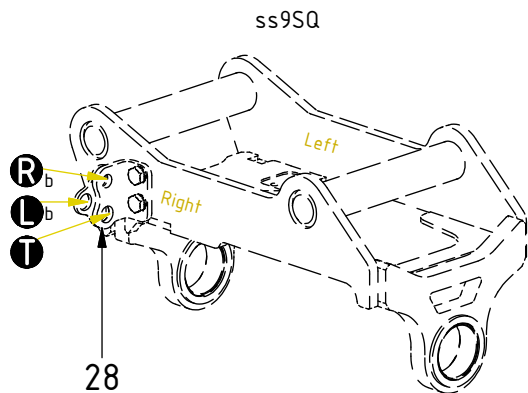
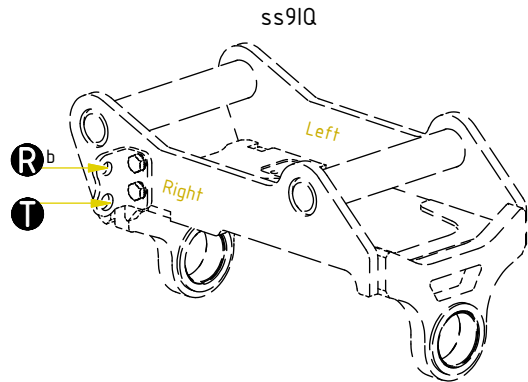
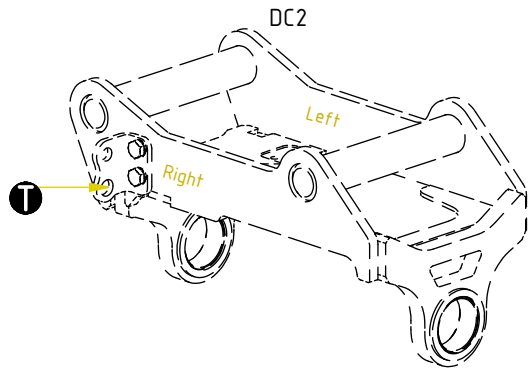
POS	DESCRIPTION	PART	QTY	COMMENTS
4	Washer NL 6mm	611039	3	
12	Tilt cylinder EC204	1029849	1	
13	Cylinder axle	1016572	1	
14	Screw MC6S M6x10 12.9 Geomet	611512	1	
15	Yoke EC204 rear compl.	1036606	1	(POS.17 incl.)
16	Yoke EC204 front compl.	1029052	1	(POS.17 incl.)
17	Bushing BWG-F 25/31/38/1,5x20	6000001	2	
18	For EC-Oil			See "Top part" QS40
19	Screw MC6S M12x40 12.9	610572	4	Torque: 136Nm
20	Valve block tilt cylinder Complete	7000635	1	Part of control system
21	Cover tilt cylinder Right	1029781	1	Part of control system
22	Cover tilt cylinder Left	1068975	1	Part of control system
23	Coverplate ss10 / ss9 w. terminals	1029826	1	Part of control system
24	Coverplate ss9/ss0	1033484	1	Part of control system
25	Coverplate ss0 Right+Left	1043991	1	Part of control system
26	Cover tilt cylinder Top	1029902	1	Part of control system

Std fasteners

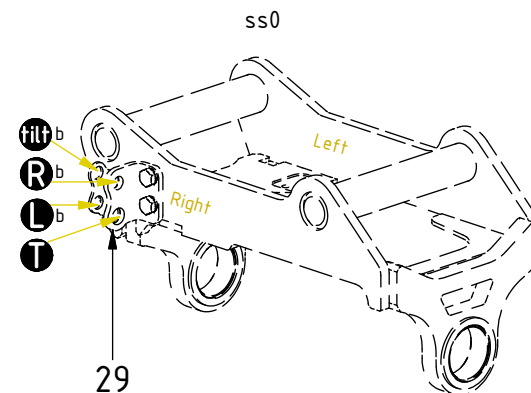




FEED
Right+Left



POS	DESCRIPTION	PART	QTY	COMMENTS
18	For EC-Oil			See "Top part" QS40
27	For Functions & Feed Hoses			See "Control system"
28	Hose terminal 3x3/8	1011565	1	For ss9SQ
29	Hose terminal 2x3/8, 2x1/4	1026096	1	For ss0
30	Washer NL 16mm	611044	*	
31	Adapter 1260-06-32 (3/8")	710242	*	
32	Counternut 1270-06 (3/8")	710252	*	
33	Adapter 1260-04-04 (1/4")	710240	*	
34	Counternut 1270-04 (1/4")	710250	*	
35	Washer NL 1/2"	611096	*	
36	O-ring 12,37x2,62	710961	*	
37	Adapter 1260-04-40 (1/4")	710261	*	

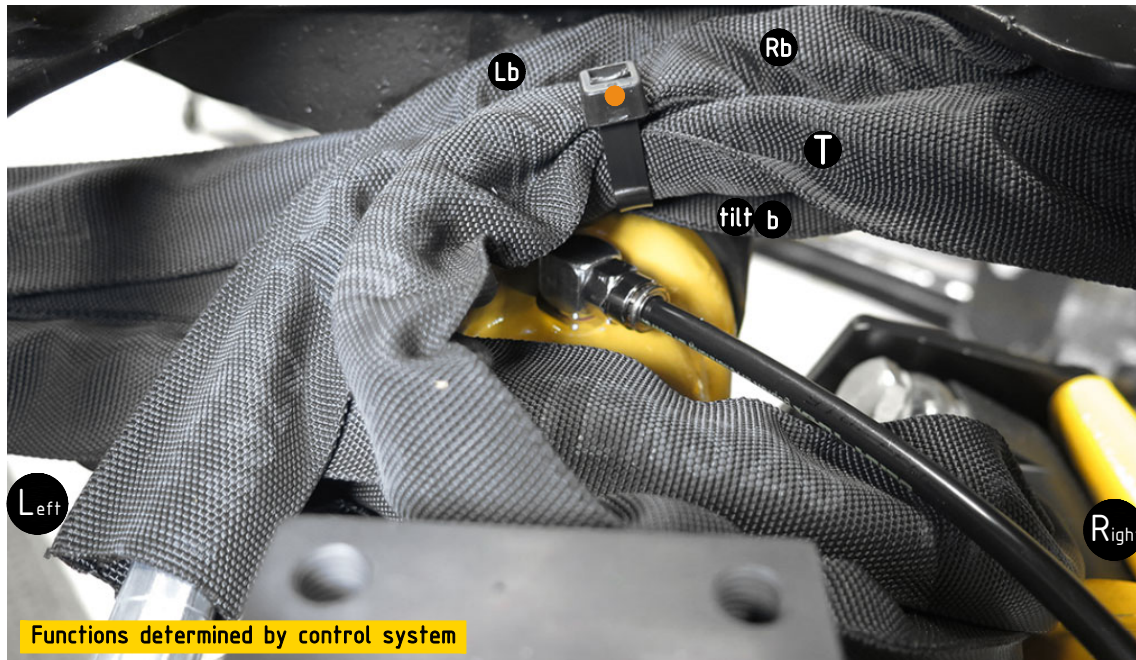
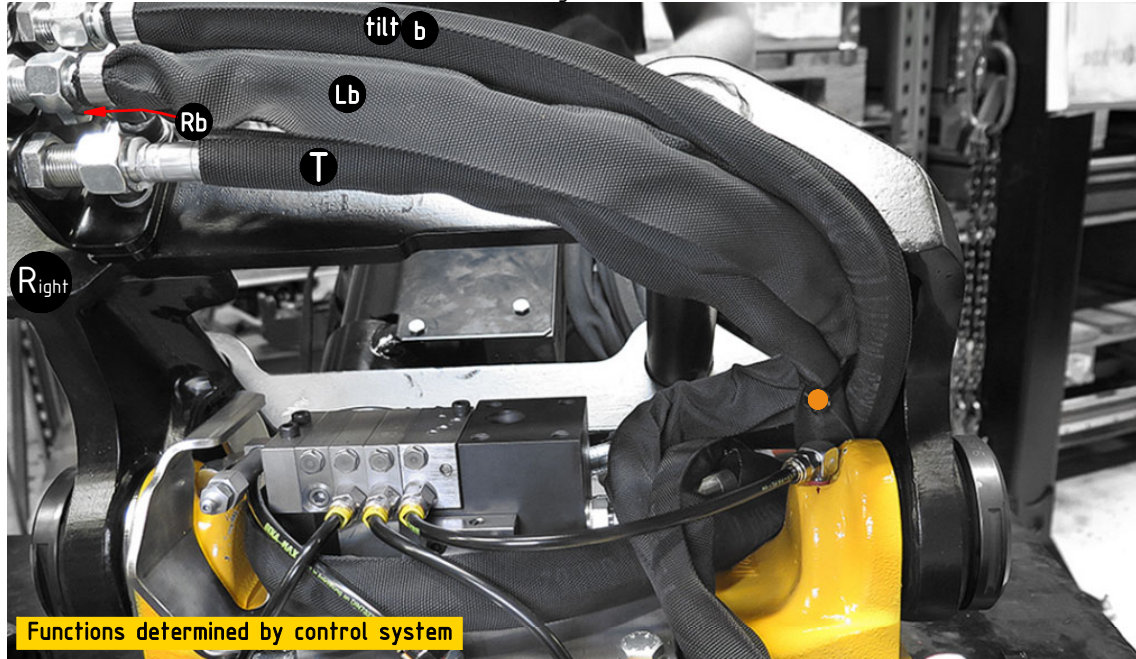


POS in order of assembly

FEED
Right+Left

POS	DESCRIPTION	PART	QTY	COMMENTS
18	For EC-Oil			See "Top part" QS40
27	For Functions & Feed Hoses			See "Control system"
●	Use cable ties			

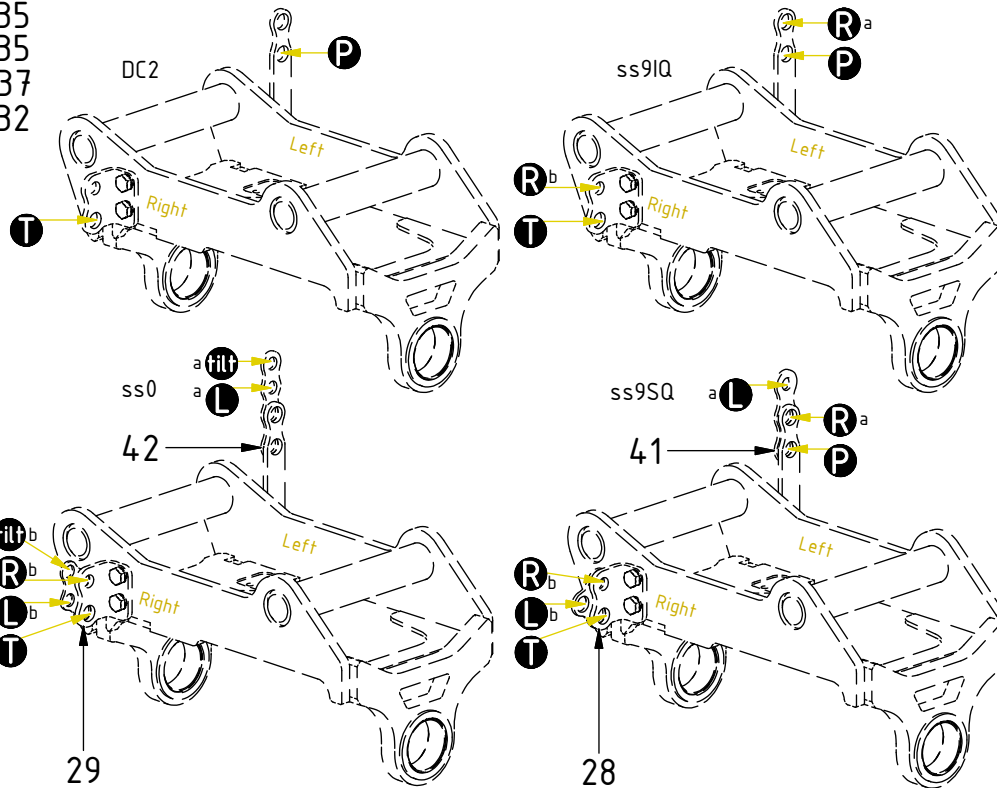
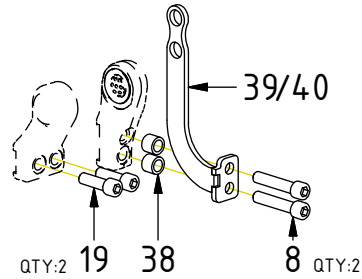
POS in order of assembly



RELATED SPARE PARTS

- 33-35
- 30-32
- 33-36
- 34-37
- 30-32
- 33-35
- 34-37
- 30-32
- 33-35
- 33-35
- 34-37
- 30-32
- 33-35
- 33-35
- 34-37
- 30-32

Option "With terminals"



POS	DESCRIPTION	PART	QTY	COMMENTS
8	Screw MC6S M12x60 12.9 ZFSL	6000140	8	Torque: 136Nm
19	Screw MC6S M12x40 12.9	610572	4	Torque: 136Nm
28	Hose terminal 3x3/8	1011565	1	For ss9SQ
29	Hose terminal 2x3/8, 2x1/4	1026096	1	For ss0
30	Washer NL 16mm	611044	*	
31	Adapter 1260-06-32 (3/8")	710242	*	
32	Counternut 1270-06 (3/8")	710252	*	
33	Adapter 1260-04-04 (1/4")	710240	*	
34	Counternut 1270-04 (1/4")	710250	*	
35	Washer NL 1/2"	611096	*	
36	O-ring 12,37x2,62	710961	*	
37	Adapter 1260-04-40 (1/4")	710261	*	
38	Spacer yD=19 t=3 L=15	1009999	2	
39	Hose terminal EC204 Left - UNI	1053333	1	
40	Hose terminal EC204 Left - S40	1053732	1	
41	Terminal extender 1x1/4"	1011454	1	For ss9SQ
42	Terminal extender 2x1/4"	1055284	1	For ss0
43	For Functions & Feed Hoses			See "Control system"

