

COVERSHEET

Planned document changes:

Briefly:

No planned changes.

Document changes:

Date:	Change:	Rev. after change:
2022-10-18	Top part S40 updated to Top part QS40.	A
2019-10-15	New document.	-

Readers note:

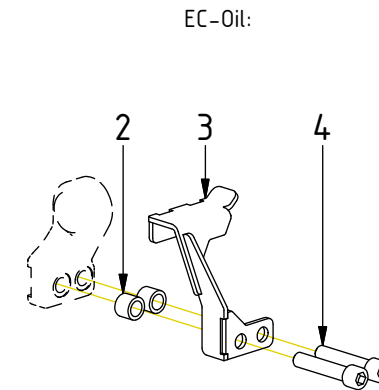
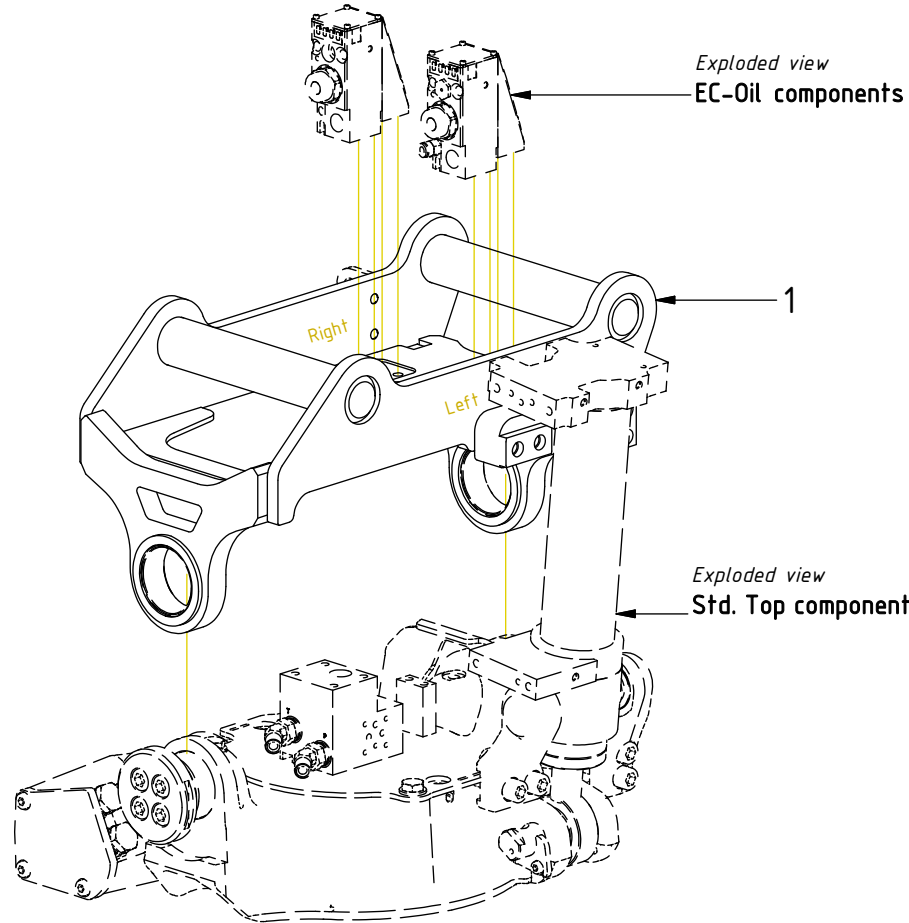
Indicates instruction.



Represents Hose.

Dashed lines for overview, mounts
on other pages/assemblies.

POS	DESCRIPTION	PART	QTY	COMMENTS
1	Top part QS40 EC204	1062174	1	
2	Spacer yD=19 t=3 L=15	1009999	2	
3	Hose guide (EC-Oil)	1062940		
4	Screw MC6S M12x60 12.9 ZFSLH	6000140	15	

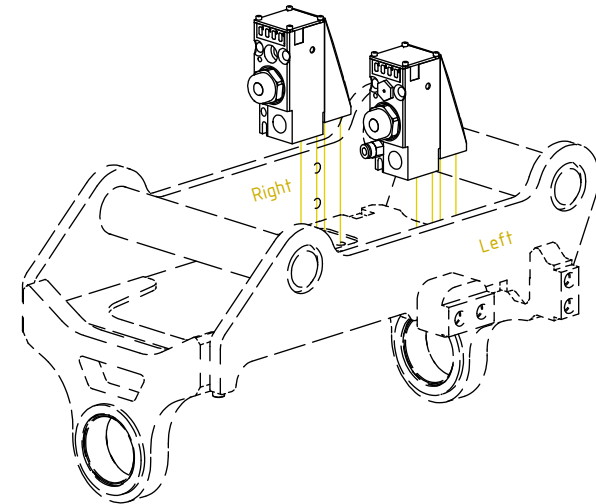
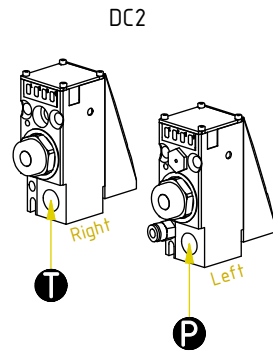


T ← 6-7
P ← 6-7

FEED
 EC-Oil

POS	DESCRIPTION	PART	QTY	COMMENTS
5	For Feed Hoses			See "Control system"
6	Washer GBR06 3/8	710703	6	
7	Adapter 136-06-06 (3/8")	710106	2	

POS in order of assembly



FEED
DC2 EC-Oil

POS	DESCRIPTION	PART	QTY	COMMENTS
5	For Feed Hoses			See "Control system"

POS in order of assembly

Photo needed: EC-Oil seen from above

Photo needed: EC-Oil seen from the side