

## COVERSHEET

## Planned document changes:

**Briefly:**

No planned changes.

## Document changes:

<b>Date:</b>	<b>Change:</b>	<b>Rev. after change:</b>
2024-02-28	Top part corrected.	E
2021-06-28	Missing washer for EC-Oil added.	D
2020-10-27	Photos added.	C
2019-01-07	EC-Oil options updated.	B
2017-08-30	Layout/irrelevant.	A
2017-07-05	New document.	-

*Readers note:*

Indicates instruction.



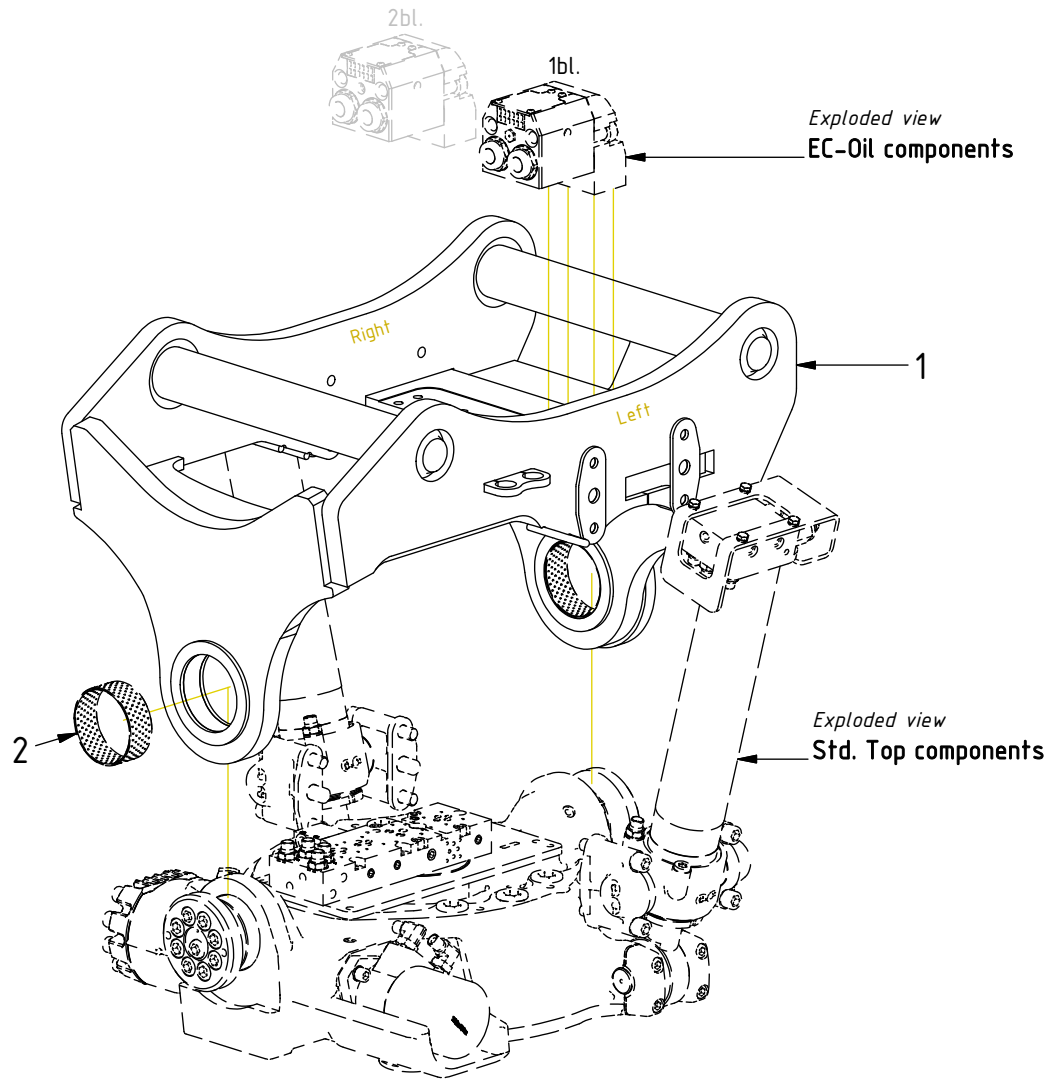
Represents Hose.

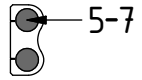
Dashed lines for overview, mounts  
on other pages/assemblies.

# EC226 ECHF - Top part QS70

POS	DESCRIPTION	PART	QTY	COMMENTS
1	Top part QS70 EC226S	1064571	1	(POS.2 incl.)
2	Bushing WB802 100/105 L40	630320	2	

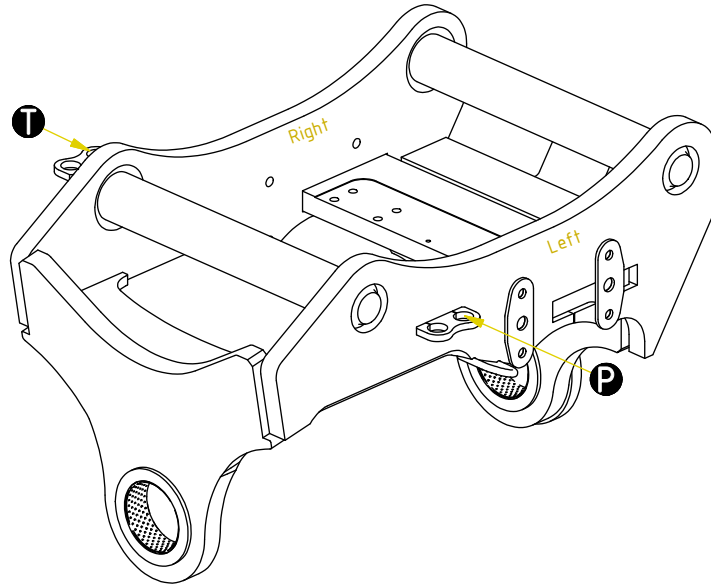
POS in order of assembly



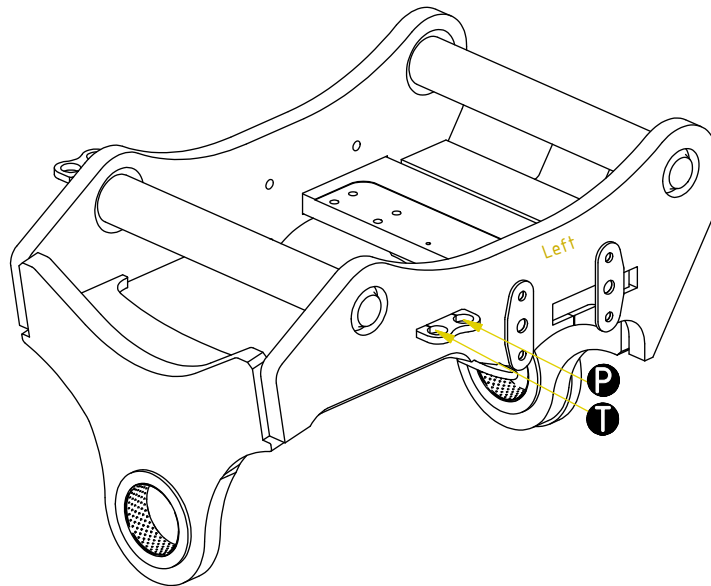


FEED  
3/4" (std)

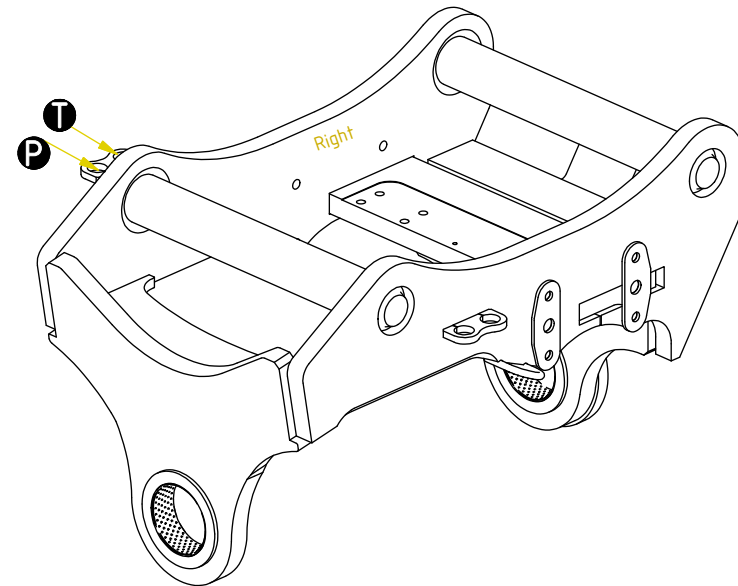
Main feed



Feed Left



Feed Right



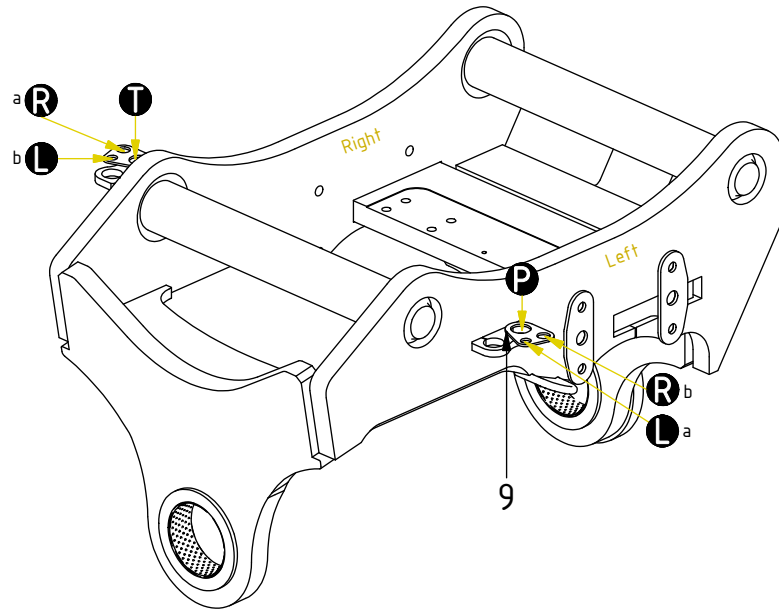
POS	DESCRIPTION	PART	QTY	COMMENTS
3	For optional functions / terminals			See "Std. Top components"
4	For Feed Hoses			See "Control system"
5	Washer NL 1"	611095	2	
6	Adapter 1260-12-57 (3/4")	712227	2	
7	Counternut 1270-12 (3/4")	712211	2	

POS in order of assembly

15-17  
18-20  
10-14

FEED  
1/2" (option)

POS	DESCRIPTION	PART	QTY	COMMENTS
8	For Functions & Feed Hoses			See "Control system"
9	Hose terminal 1/4+3/8	1042960	2	
10	O-ring 18.64x3,53 HNBR/75	712415	2	
11	Washer NL 20mm	611098	2	
12	Adapter 1260-08-45 (1/2")	710263	2	
13	Counternut 1270-08 (1/2")	710254	2	
14	Adapter 703-08-08 (1/2")	710221	2	
15	Washer NL 16mm	611044	2	
16	Adapter 1260-06-32 (3/8")	710242	2	
17	Counternut 1270-06 (3/8")	710252	2	
18	Washer NL 1/2"	611096	2	
19	Adapter 1260-04-04 (1/4")	710240	2	
20	Counternut 1270-04 (1/4")	710250	2	



POS in order of assembly

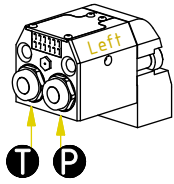
- T** ← 21
- P** ← 21
- cap** ← 21-22
- R** ← 23-25
- drr** ← 26-27

FEED  
EC-Oil

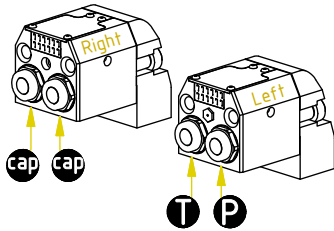
POS	DESCRIPTION	PART	QTY	COMMENTS
4	For Feed Hoses			See "Control system"
21	Adapter 401-08-12 90° (1/2"-3/4")	710155	2	
22	Protective cap 155-08 (1/2")	711627	2	
23	Washer GBR06 3/8	710703	2	
24	Adapter 234-12-06	710234	2	
25	Adapter 401-06-06 90° (3/8")	710152	2	
26	Washer GBR08 1/2	710704	1	
27	Adapter 235-08-06	7000705	1	
28	Plug 70125-12 (3/4")	711532	2	

ss10 (DC2/SVAB)

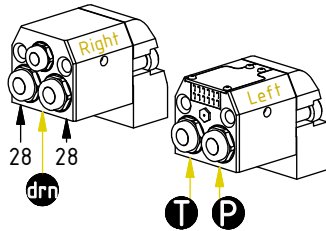
2 hyd.



4 hyd.

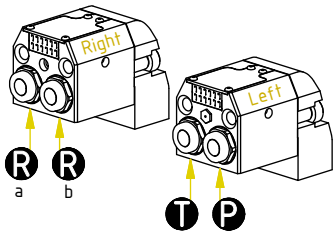


DC2 5 hyd.

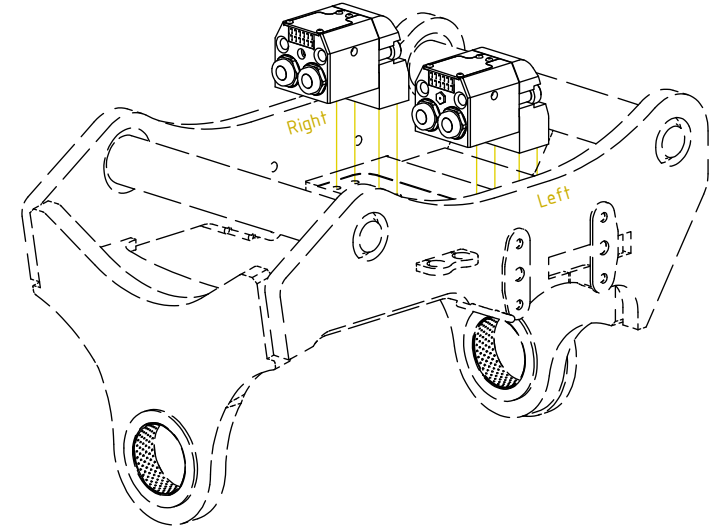
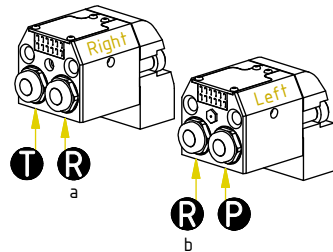


ss9

4 hyd.



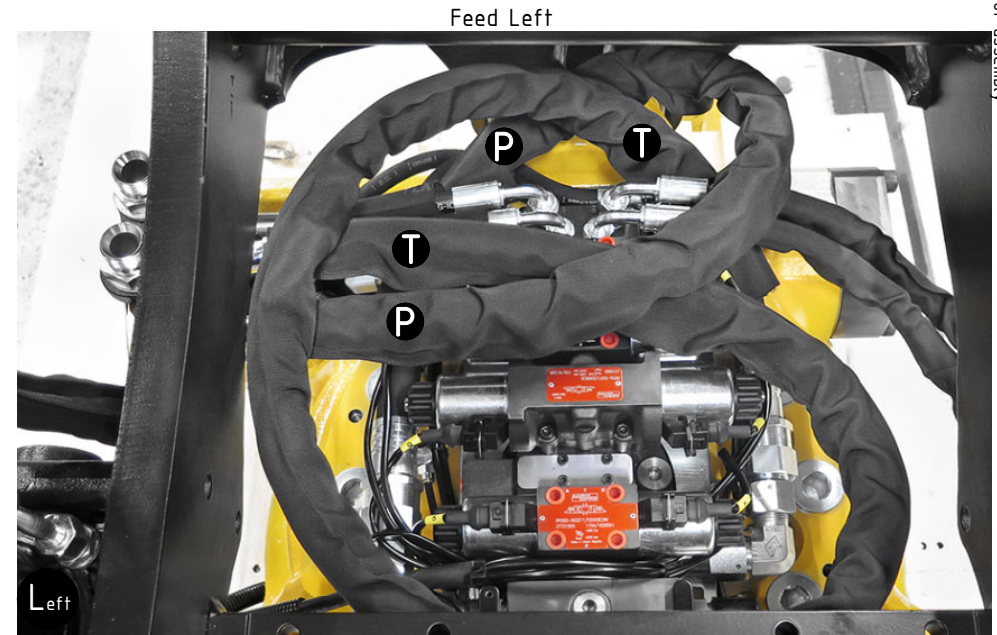
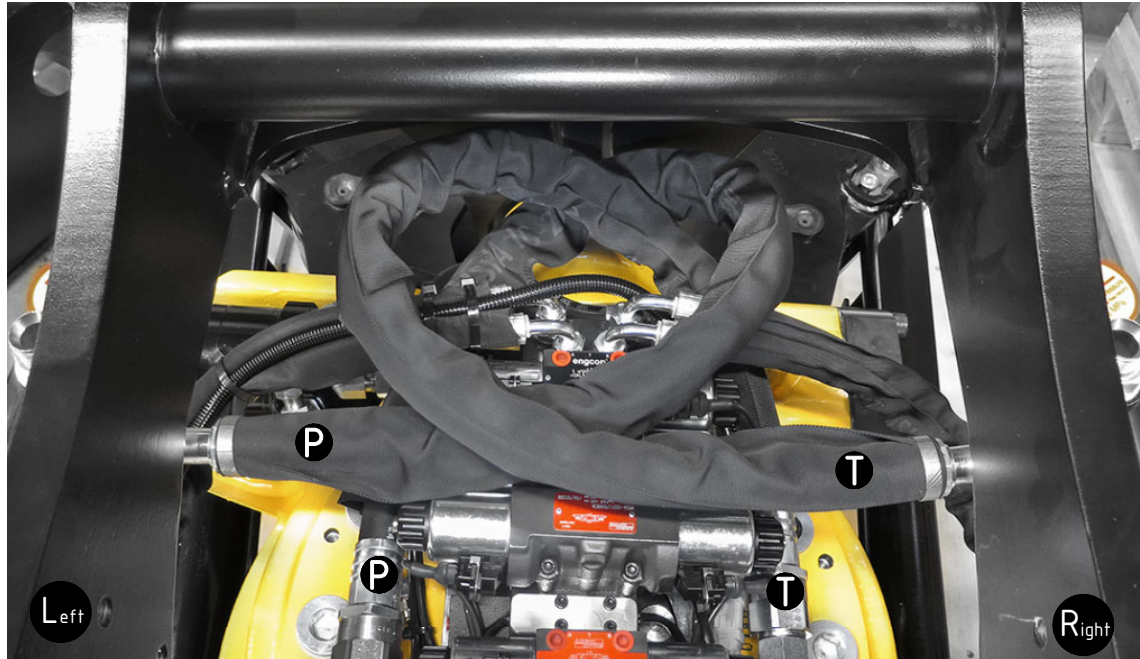
4 hyd. 2Bl.Feed



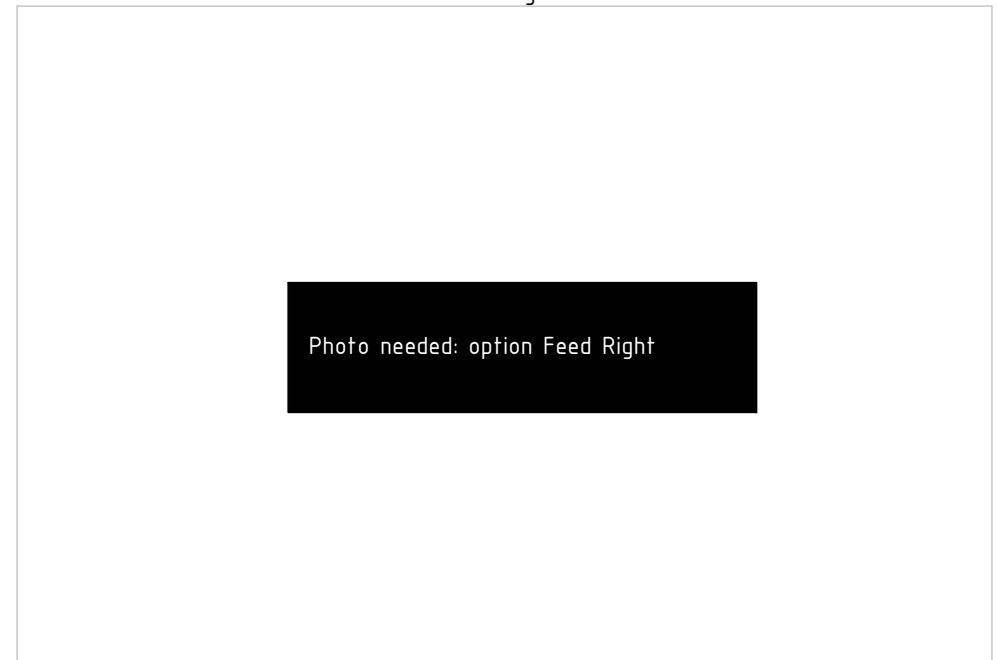
POS in order of assembly

FEED  
3/4" (std)

POS	DESCRIPTION	PART	QTY	COMMENTS
3	For optional functions / terminals			See "Std. Top components"
4	For Feed Hoses			See "Control system"



Feed Right



POS in order of assembly

**FEED**  
1/2" (option)

POS	DESCRIPTION	PART	QTY	COMMENTS
8	For Functions & Feed Hoses			See "Control system"

POS in order of assembly

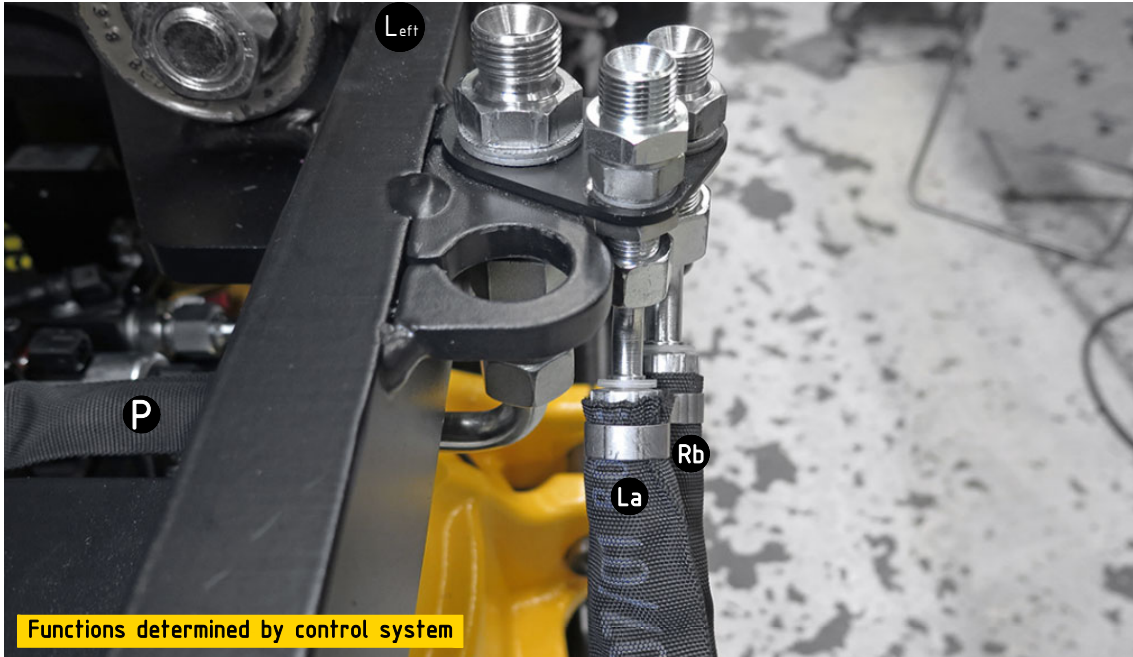
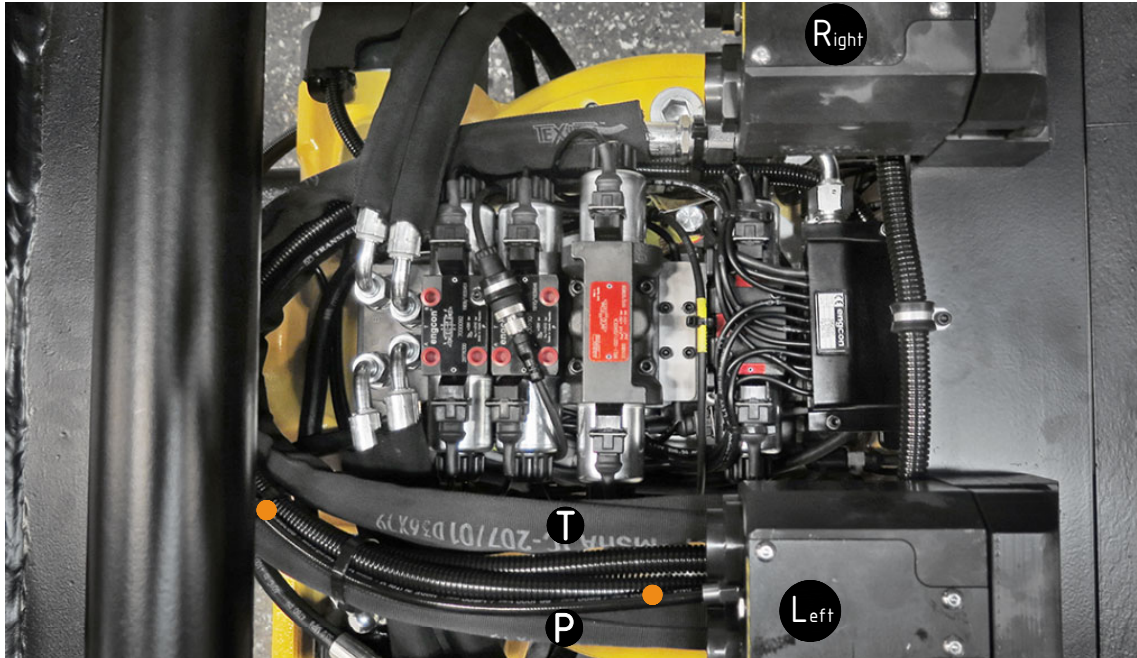


Photo needed: photo of right side or a new photo overviewing all hoses



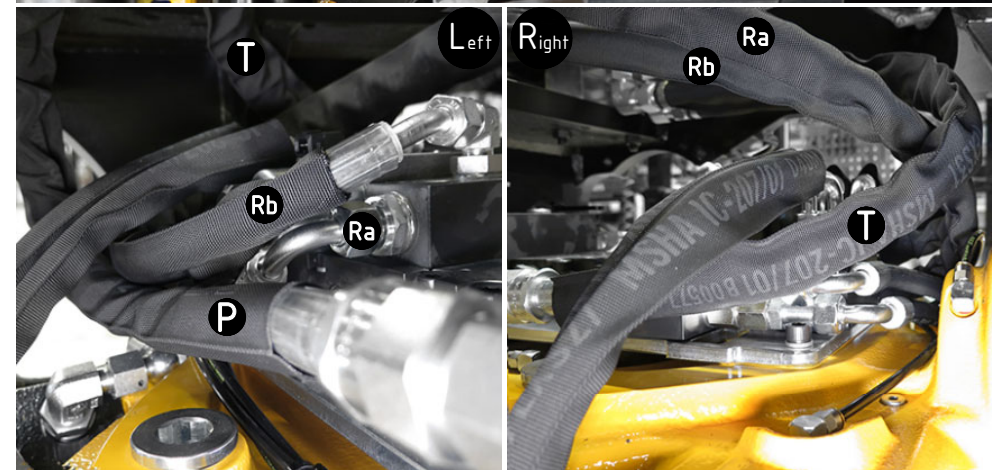
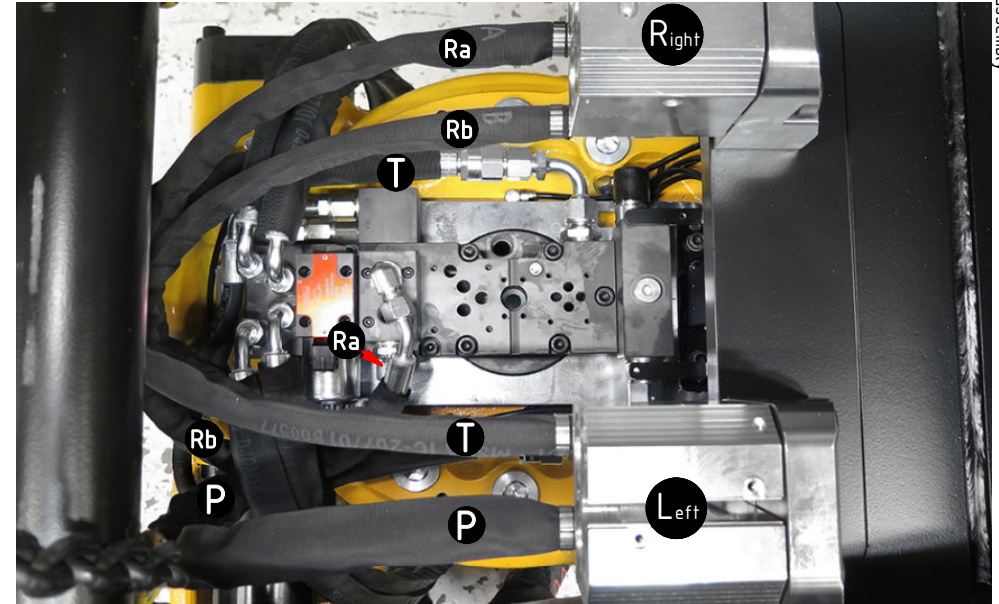
## FEED

ss10 (DC2/SVAB) EC-Oil:



POS	DESCRIPTION	PART	QTY	COMMENTS
4	For Feed Hoses			See "Control system"
●	Use cable ties			

ss9 EC-Oil:



POS in order of assembly