



## Planned document changes:

**Briefly:**

No planned changes.

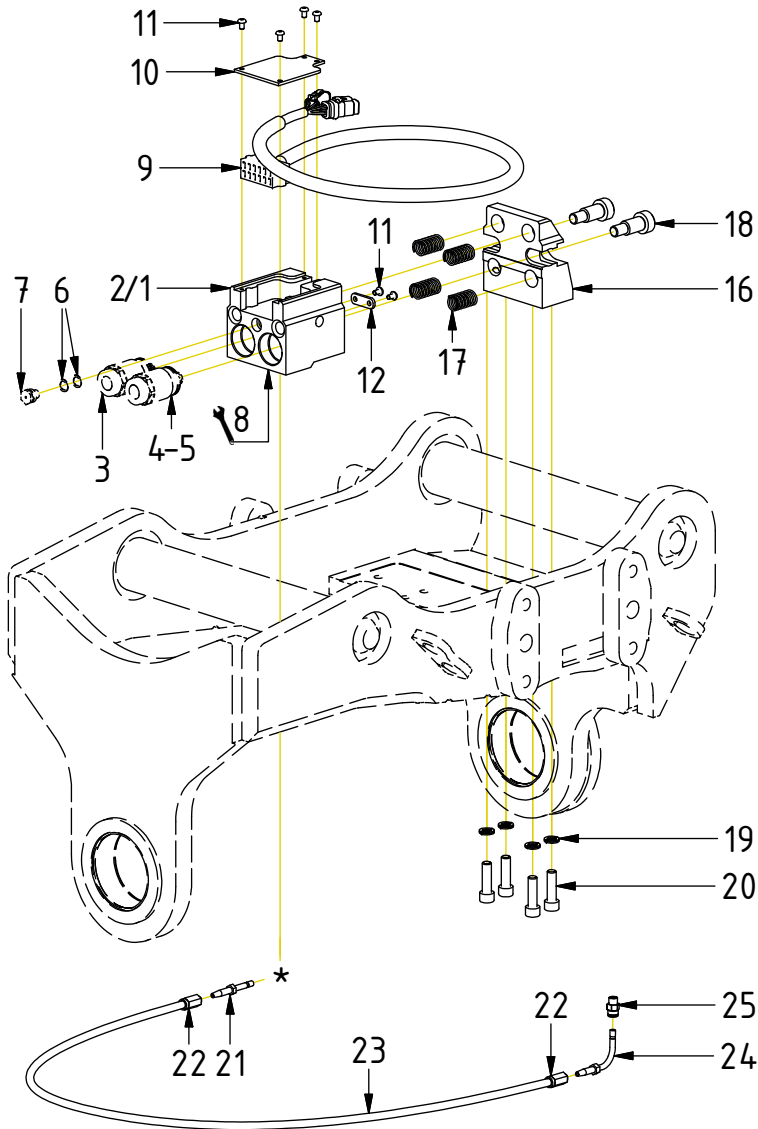
## Document changes:

<b>Date:</b>	<b>Change:</b>	<b>Rev. after change:</b>
2026-05-19	Push-ins corrected.	C
2026-03-23	New ECO-block added.	B
2024-02-08	Power plug added. Lubrication corrected.	A
2023-05-11	New document.	-

*Readers note:* Indicates instruction. Represents Hose.

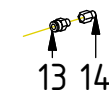
Dashed lines for overview, mounts  
on other pages/assemblies.

S60  
DC3

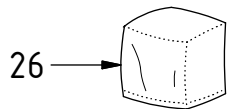
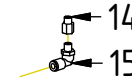


POS	DESCRIPTION	PART	QTY	COMMENTS
1	Block ECO60W 2hy.1cl. Complete 314	1083337	1	(POS.3, 6-7 incl.)
2	Block ECO60W 2hy.1cl. Complete 319	1074025	1	(POS.3, 6-7 incl.)
3	Coupling ECO60 1/2" male V2	1027633	2	Torque: 60Nm. (POS.4-5 incl.)
4	Backup-ring SKF-19-024-395A PU	710996	2	
5	O-ring 28.3x1.78 NBR/70	710980	2	
6	Washer Copper 14x10	6000065	2	
7	Button head fitting 1/8" stainless	810505	1	Loxeal 58-12. Torque: 30Nm
8	Adapters according to Top part			See "Top part"
9	Power plug ECO60 W Top (4S, 6S)	8002114	1	
10	Coverplate ECO60 W Top	1041140	1	
11	Screw K6S M5x8 10.9 FZB	611801	6	
12	Cable clamp	1074897	1	
13	Adapter straight Push-in - M8x1	790185	1	Loxeal 58-12
14	Extender 18mm M8x1	7000688	1	Loxeal 58-12
15	Push-in swivel 90° M8x1	790173	1	Loxeal 58-12
16	Attachment block ECO60 W Top	1042255	1	
17	Spring 18x35	1024794	4	
18	Shoulder bolt $\varnothing$ 16x25/M12	611709	2	
19	Washer NL 10mm	611041	4	
20	Screw MC6S M10x35 12.9	610494	4	
21	Pipe stub straight Push-in	790175	1	
22	Screw socket HT-hose $\varnothing$ 8,6mm	7000585	2	
23	Grease hose bulk 100m	7001303	1	EC314: 1050mm. EC319: 1125mm
24	Pipe stub 90° Push-in	7000318	1	
25	Push-in coupling R1/8"	790172	1	Loxeal 58-12
26	Transport Protection ECO-Block	1033412	1	Part of make up

\*EC314:



\*EC319:



POS in order of assembly