

COVERSHEET

Planned document changes:

Briefly:

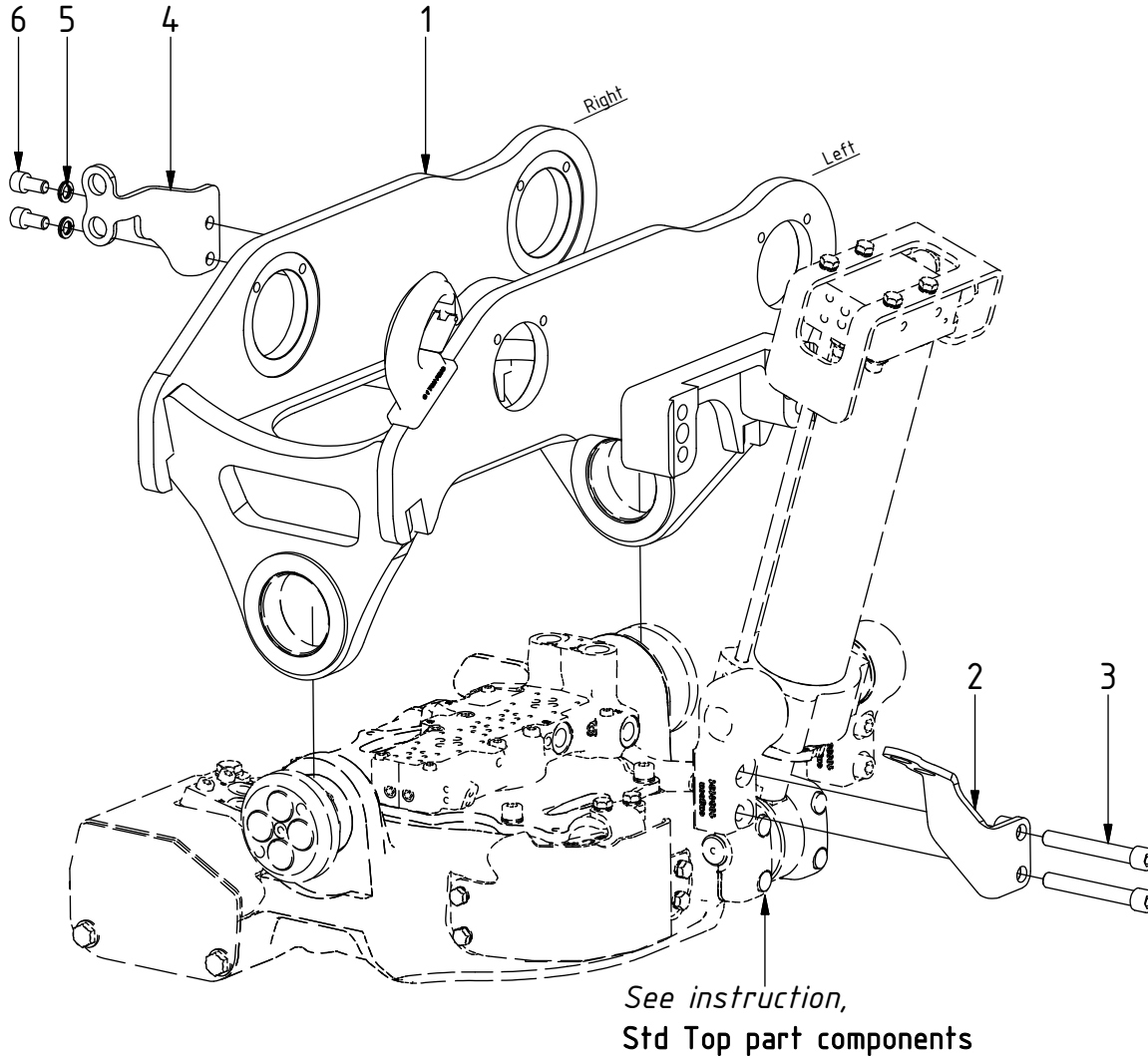
No planned changes.

Document changes:

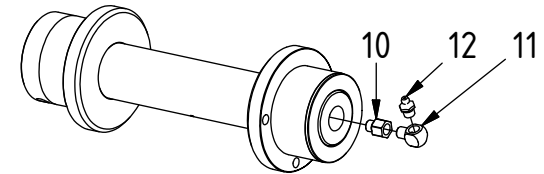
Date:	Change:	Rev. after change:
2023-11-15	Screws updated.	A
2020-06-09	New instruction.	-

EC206 - UNI Top part

POS	DESCRIPTION	PART	QTY	COMMENTS
1	Top part UNI is selected via engcon		1	
2	Hose terminal EC206 UNI Left	1025805	1	
3	MC6S M12x90 12.9 ZFSL	6000147	2	Torque: 136Nm
4	Hose terminal EC206 UNI Right	1025812	1	
5	Washer NL10	611041	2	
6	MC6S M10x20 12.9 Geomet	611516	2	
7	Shim Yoke bracket	1006199	2	For option Shimmed Tilt cylinder
8	MC6S M12x80 12.9 ZFSL	6000148	4	Torque: 136Nm
9	MC6S M12x100 12.9 Geomet	611514	2	Torque: 136Nm
10	Extension adapter 1/8"	712216	1	For Lubricated Top parts
11	Adapter 90° R1/8"	710199	6	For Lubricated Top parts
12	Grease Nipple	711403	2	Included in lubricated axle Angle upward/forward



Lubricated axle:



Shimmed Tilt cylinder:

