

COVERSHEET

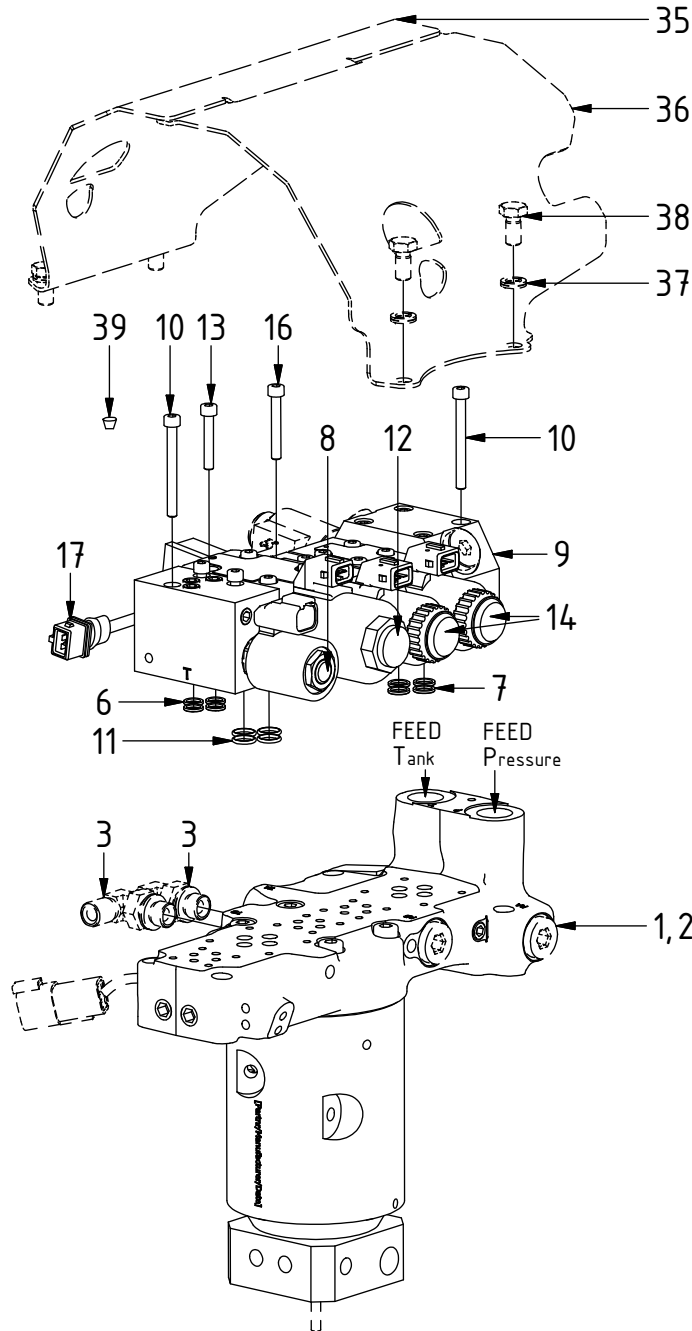
Planned document changes:

Briefly:

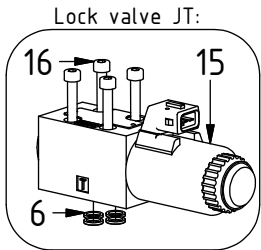
Add option ss9IQSX:
block 405670, o-rings 710901, screws 610405, plugs 711504, adapters
710122 with washers 710704, hose 7001436 (a) and 7001437 (b).

Document changes:

Date:	Change:	Rev. after change:
2023-08-10	Photos updated.	B
2022-06-29	Valves updated. New aggregate cable added.	A
2022-02-03	New document.	-



POS	DESCRIPTION	PART	QTY	COMMENTS
1	Valve block & swivel Complete	1026703	1	
2	Valve block & swivel Complete with slipping DTM	1031333	1	
3	Adapter 401-04-04 90° (1/4")	710151	2	Part of rotator frame assembly
6	O-ring 7,65x1,78	710960	12	
7	O-ring 8,75x1,78	710959	4	
8	Directional valve NG4 IQS 12V DT	1042045	1	QS, CW, ECPUP, ss SIQ (POS.6 included)
9	Dumper block 12V NG6 Complete	1026714	1	(Dump valve included)
10	MC6S M5x50 12.9	610407	7	Torque: 9,7Nm
11	O-ring 8,75x1,78	710959	4	
12	Directional valve closed 12V	7001619	1	(POS.11 included)
13	MC6S M5x30 12.9	610403	4	Torque: 9,7Nm
14	Directional valve NG4 closed 12V	730330	2	(POS.6 included)
15	Directional valve NG4 12V JT	730312	1	(POS.6 included)
16	MC6S M5x35 12.9	610404	12	Torque: 9,7Nm. QTY: 16 for Lock JT
17	Adapter cabel-Hirschmann-Amp	302971	1	
35	EC206 Cover plate	1016524	1	
36	EC206 Cover plate	1016523	1	
37	Washer NL8	611040	4	
38	M6S M8x16 8,8 FZB	610122	4	
39	Plastic plug (red) for valves	790156	12	



FEED Rotation is part of rotator frame (from motor)

Hoses FEED (Std)



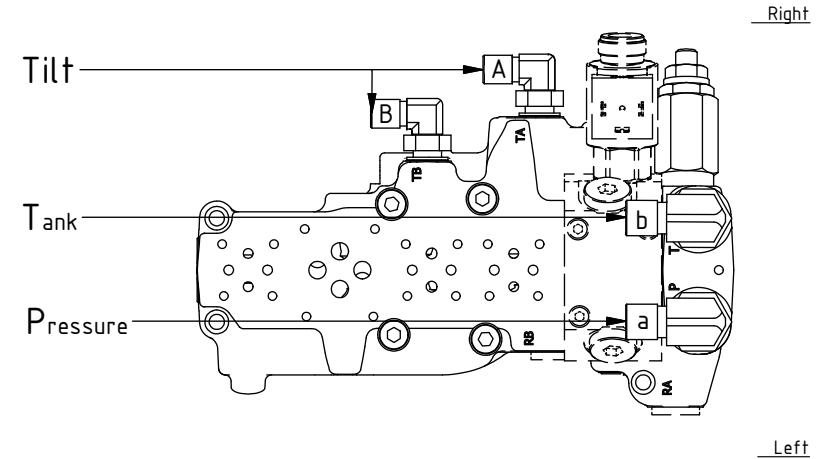
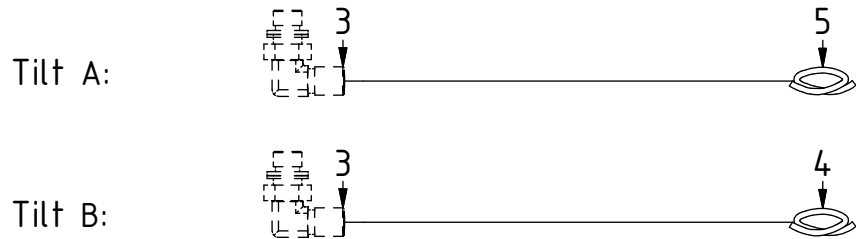
POS	DESCRIPTION	PART	QTY	COMMENTS
3	Adapter 401-04-04 90° (1/4")	710151	2	Part of rotator frame assembly
4	Hose Tilt Short	742911	1	
5	Hose Tilt Long	742912	1	
18	Adapter 401-06-08 90° (3/8"-1/2")	710157	2	
19	Hose Feed	742913	2	
20	Hose Feed ECO45/50	7000701	2	
21	Hose Rotation	742916	2	Part of rotator frame assembly
22	Hose Rotation Short (a) ECO45/50		1	Part of rotator frame assembly CC522/KL467 RM06 4550-06-06/4511-06-06 tex
23	Hose Rotation Long (b) ECO45/50		1	Part of rotator frame assembly CC572/KL517 RM06 4550-06-06/4511-06-06 tex

POS in order of assembly

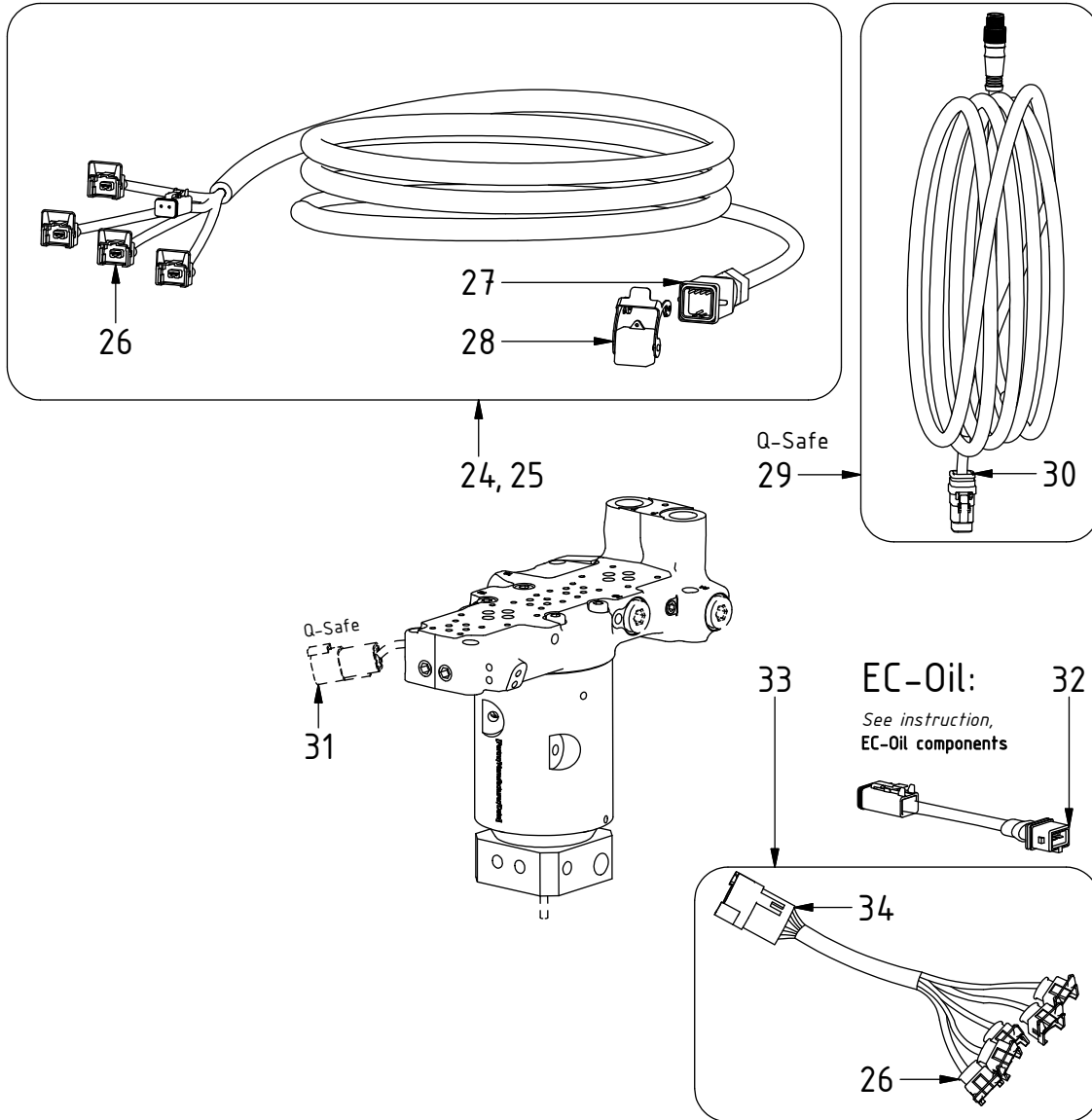
FEED EC-Oil



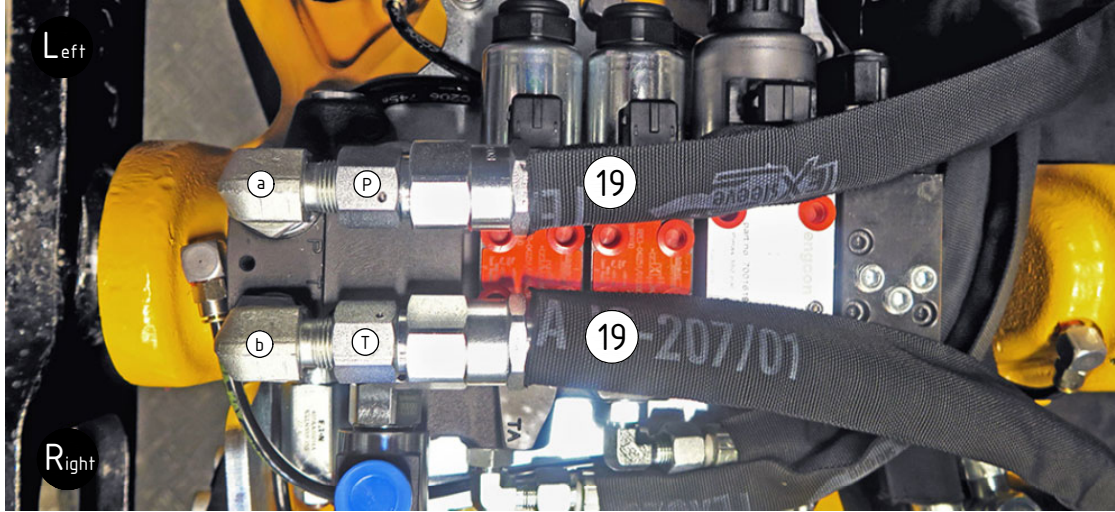
TILT



POS	DESCRIPTION	PART	QTY	COMMENTS
24	Agg. cable ss9-2 Dump Compl. DT	8001823	1	
25	Agg. cable ss9-2 Dump Compl. JT	1032909	1	For Lock valve JT. Replace POS.24
26	Connector JT	810218	5	
27	ILME contact Male 12P Complete	841192	1	
28	ILME cover 12P contact with jumper	810208	1	
29	Cable QS QLM tiltrotator	842148	1	For Q-Safe
30	Connector Deutsch DTM06-6S	8000053	1	
31	Only for Q-Safe, connector			Attach to POS.29 or See EC-Oil comp.
32	Adapter cable DT-JT	1017478	1	
33	Adapter cable ECO (DTM)	1029599	1	For EC-Oil. Replace POS.24 & 29
34	Connector Deutsch DTM04-12P	8000177	1	

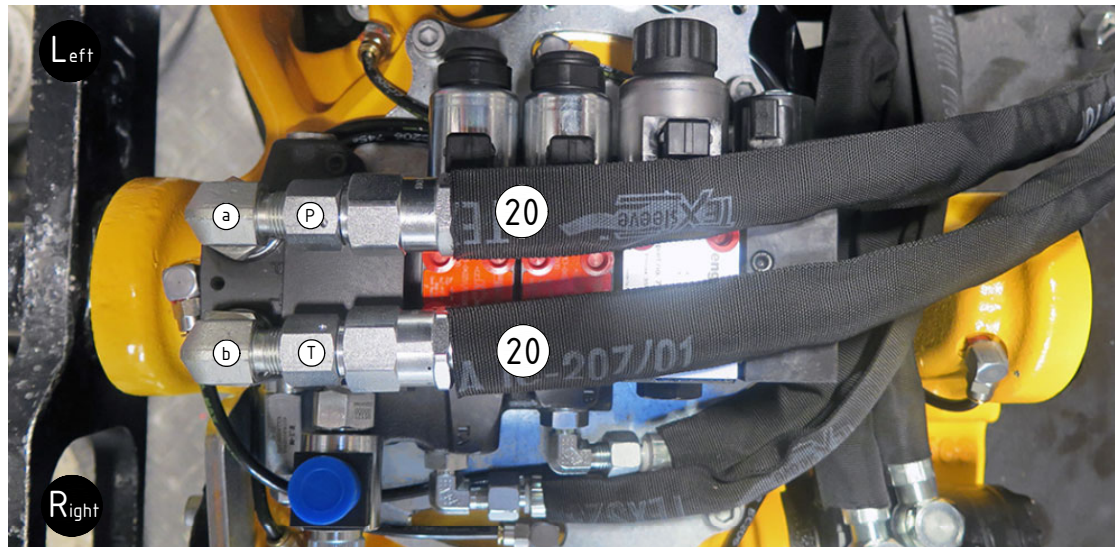


Hoses FEED (Std)

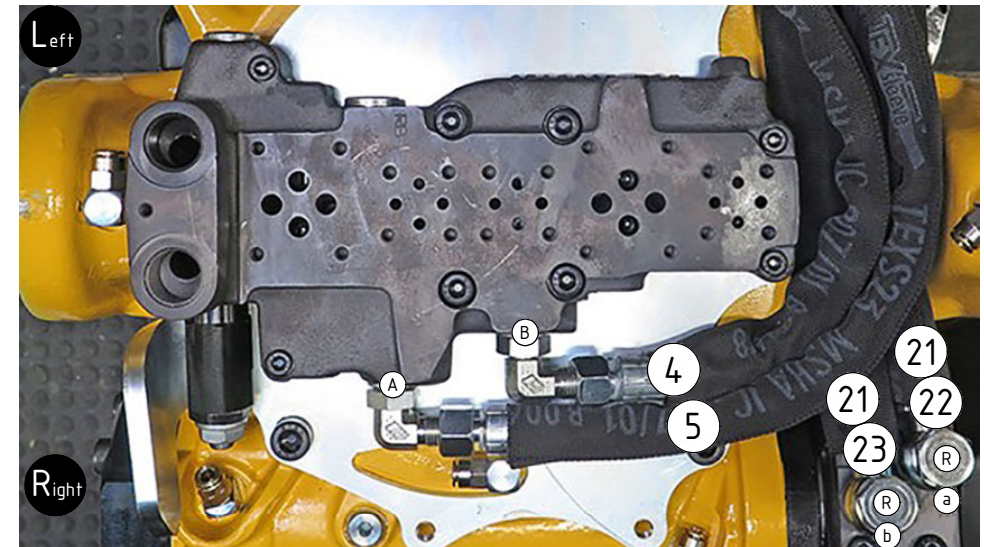


POS	DESCRIPTION	PART	QTY	COMMENTS
4	Hose Tilt Short	742911	1	
5	Hose Tilt Long	742912	1	
19	Hose Feed	742913	2	
20	Hose Feed EC045/50	7000701	2	
21	Hose Rotation	742916	2	Part of rotator frame assembly
22	Hose Rotation Short (a) EC045/50		1	Part of rotator frame assembly CC522/KL467 RM06 4550-06-06/4511-06-06 tex
23	Hose Rotation Long (b) EC045/50		1	Part of rotator frame assembly CC572/KL517 RM06 4550-06-06/4511-06-06 tex

FEED EC-Oil



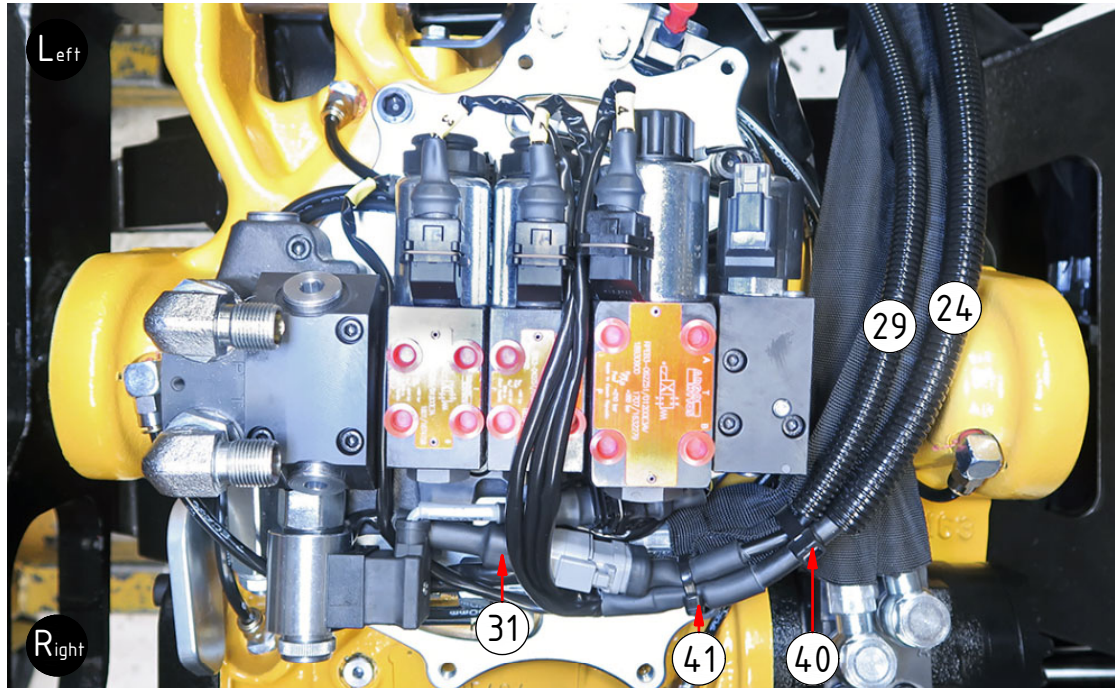
Rotation & TILT



Dashed lines for overview, mounts on other pages/assemblies. indicates instruction. represents hose.

Std

Cables/connectors:



POS	DESCRIPTION	PART	QTY	COMMENTS
24	Agg. cable ss9-2 Dump Compl. DT	8001823	1	
25	Agg. cable ss9-2 Dump Compl. JT	1032909	1	For Lock valve JT. Replace POS.24
29	Cable QS QLM tiltrotator	842148	1	For Q-Safe
31	Only for Q-Safe, connector			
40	Cable tie 7,8x360	1021587	1	
41	Cable tie 4,8x360	1021586	1	

POS in order of assembly

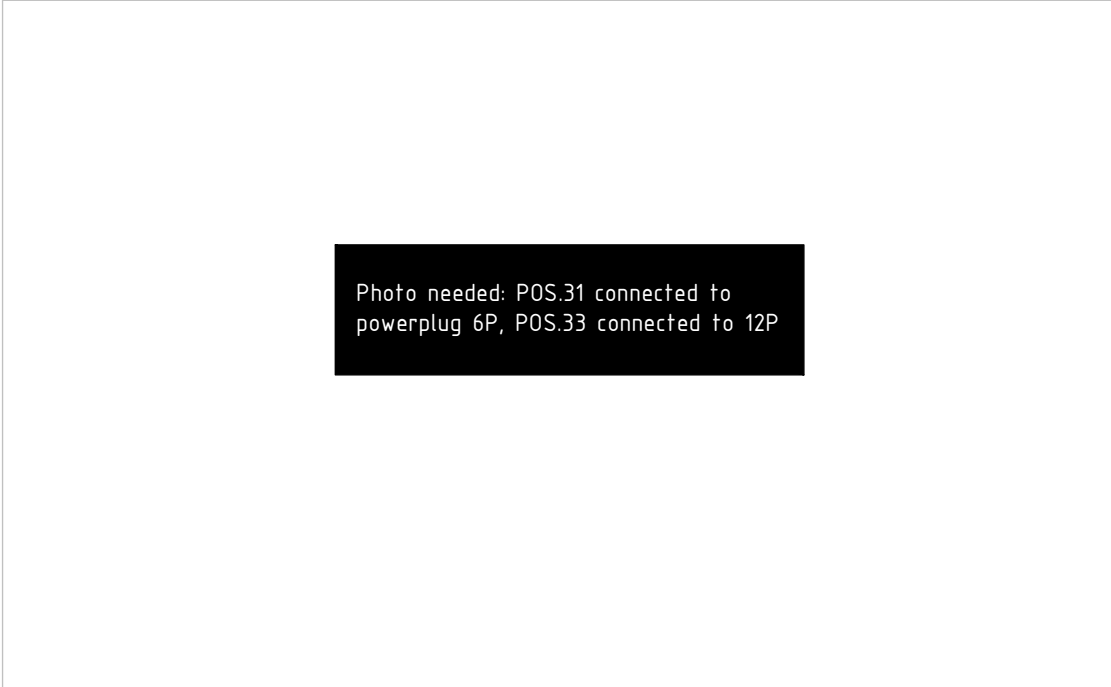
See instruction,
EC-Oil components

Top EC-Oil

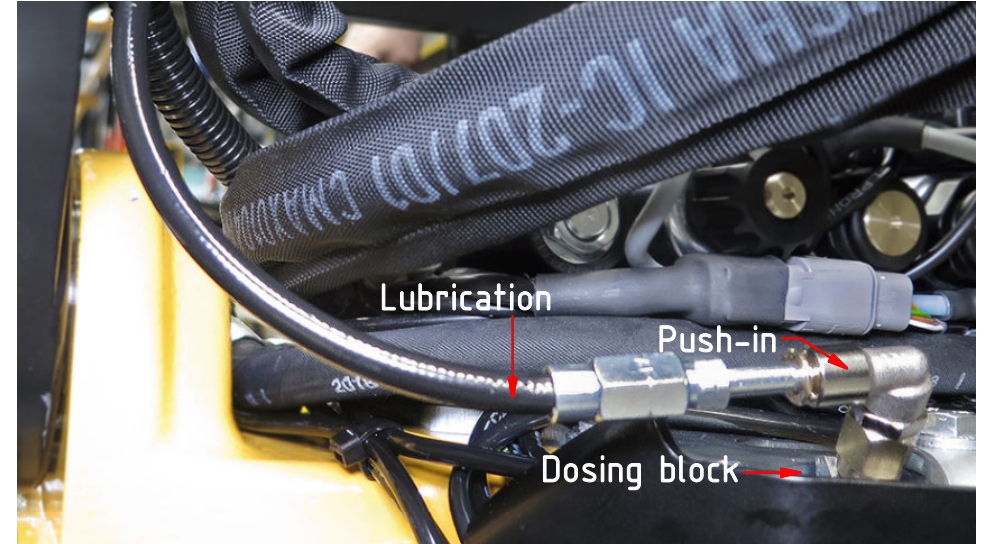
POS	DESCRIPTION	PART	QTY	COMMENTS
31	Only for Q-Safe, connector			Attach to 6P from ECO-block
33	Adapter cable ECO (DTM)	1029599	1	For EC-Oil. Replace POS.24 & 29

POS in order of assembly

Cables/connectors:



Lubrication:

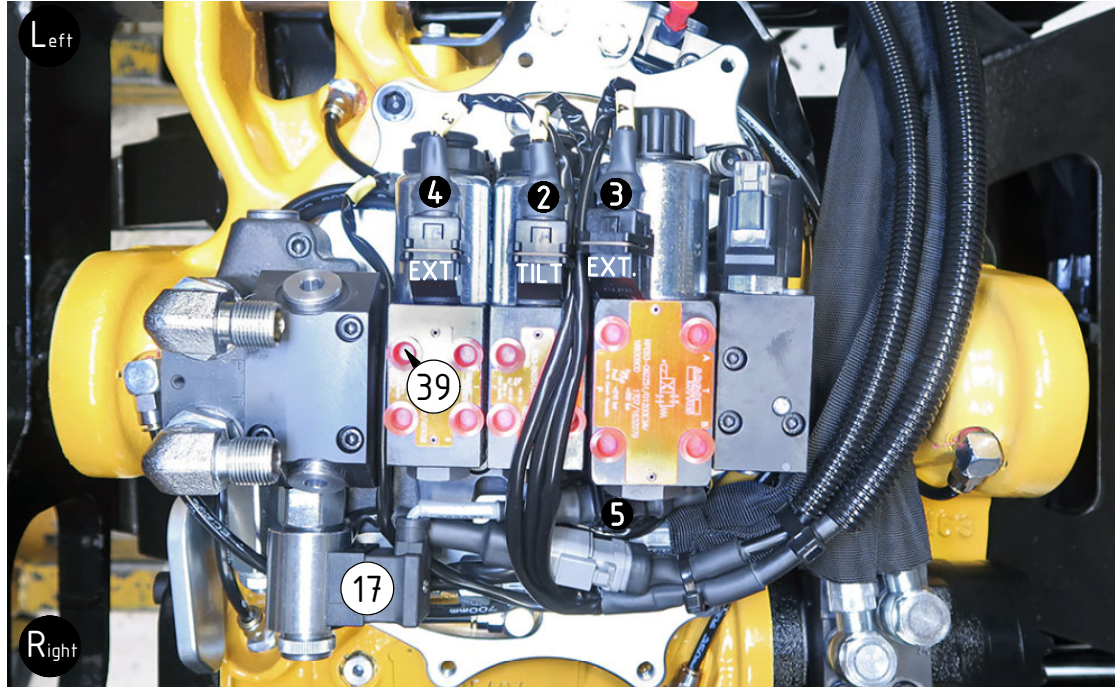


Valve connections

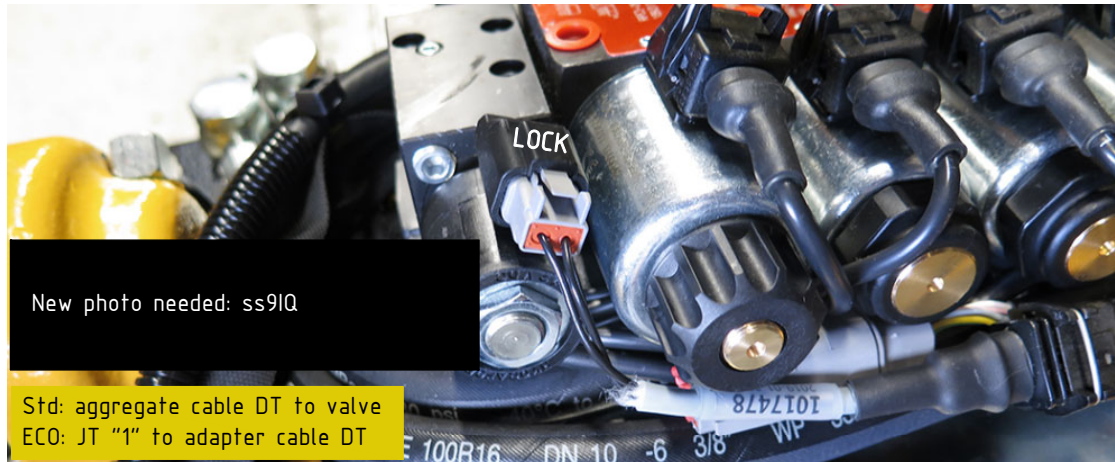
When not equipped with grab

POS	DESCRIPTION	PART	QTY	COMMENTS
17	Adapter cabel-Hirschmann-Amp	302971	1	
32	Adapter cable DT-JT	10174.78	1	
39	Plastic plug (red) for valves	790156	12	

JT marked with numbers:



Lock valve IQS DT:



Lock valve JT:

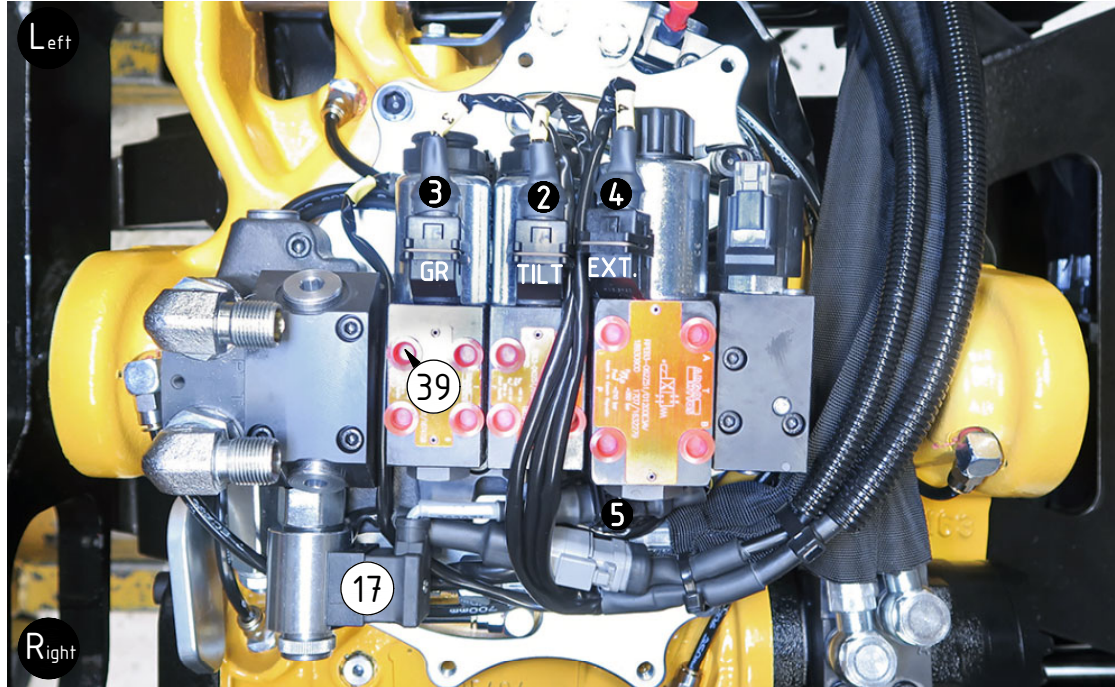


Valve connections

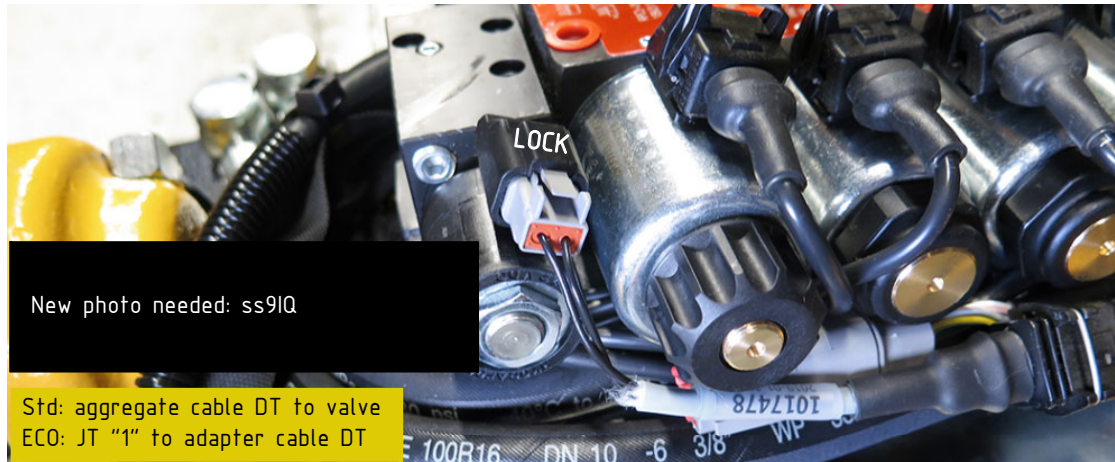
When equipped with grab

POS	DESCRIPTION	PART	QTY	COMMENTS
17	Adapter cabel-Hirschmann-Amp	302971	1	
32	Adapter cable DT-JT	10174.78	1	
39	Plastic plug (red) for valves	790156	12	

JT marked with numbers:



Lock valve IQS DT:



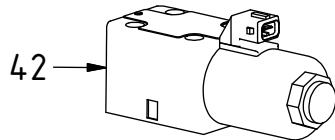
Lock valve JT:



Related spare parts

POS	DESCRIPTION	PART	QTY	COMMENTS
11	O-ring 8,75x1,78	710959	4	
12	Directional valve closed 12V	7001619	1	(POS.11 included)
42	Argo hytos valve closed 12V	730112	1	Replaced by POS.12 (ATOS)
43	O-ring 9,25x1,78	710901	4	Used until 2022-06

Used until 2022-06



o-rings, coils, & nuts
are not compatible
between valve brands

