

PP3200 COVERSHEET

Planned document changes:

Briefly:

No planned changes.

Document changes:

| Date: | Change: | Rev. after change: |
|------------|---|--------------------|
| 2026-04-16 | Hoses updated, photos replaced. | F |
| 2025-07-01 | Spare parts corrected. | E |
| 2025-06-02 | Motor replaced. Spare parts page added. | D |
| 2025-04-16 | Flange half size corrected. | C |
| 2024-02-06 | Updated assy. for PP3200. Spare parts page added. | B |
| 2024-01-18 | Screws corrected. Hoses on photos corrected. | A |
| 2020-09-01 | New document. | - |

Readers note:

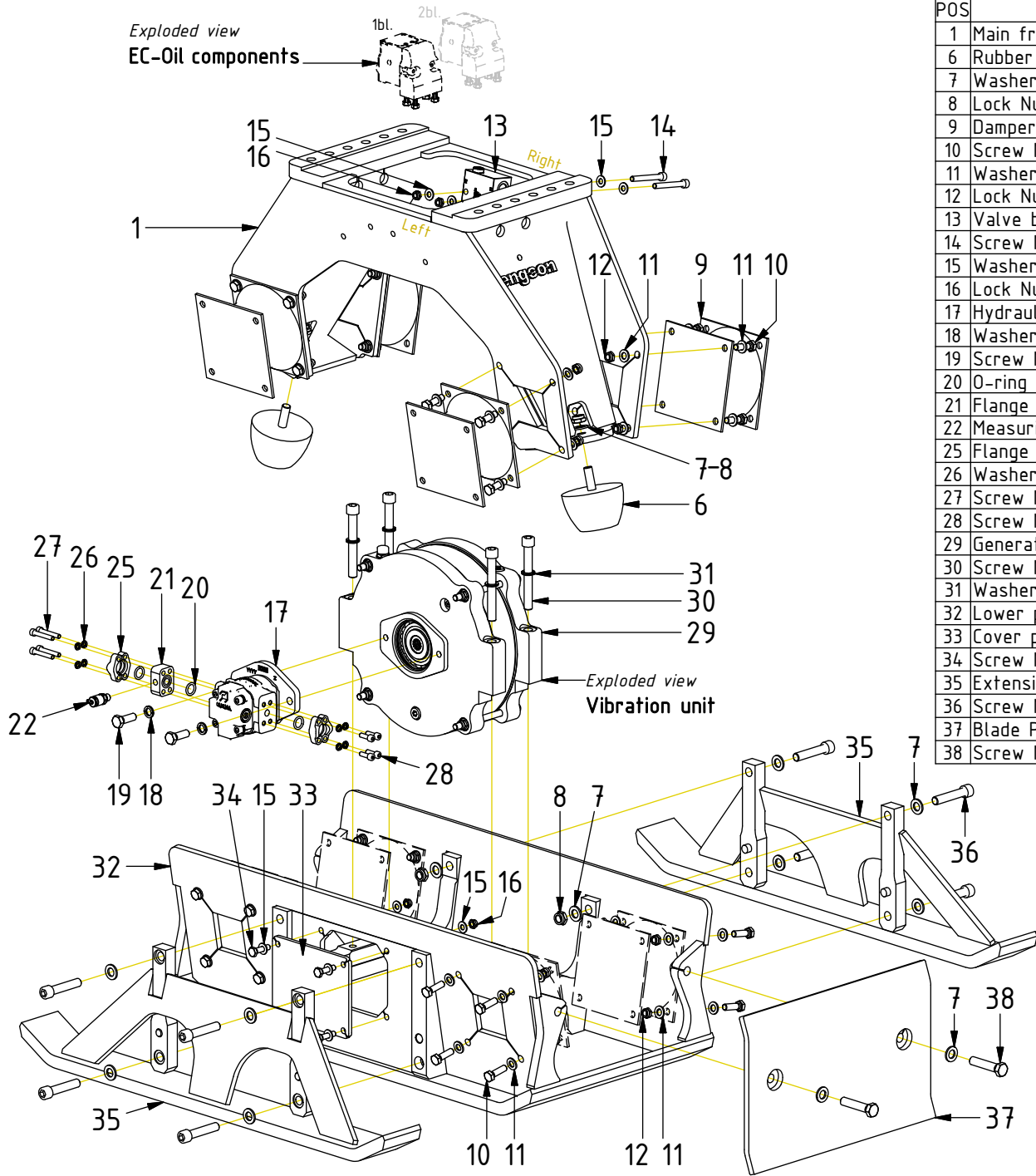


Indicates instruction.



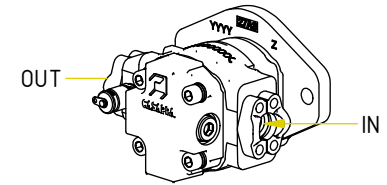
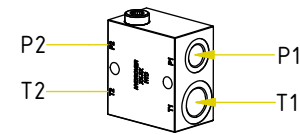
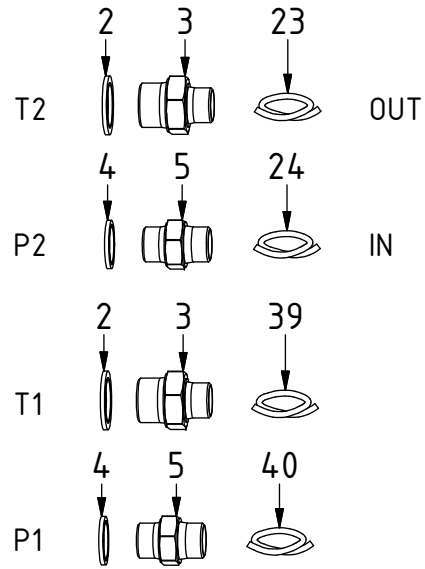
Represents Hose.

Dashed lines for overview, mounts on other pages/assemblies.

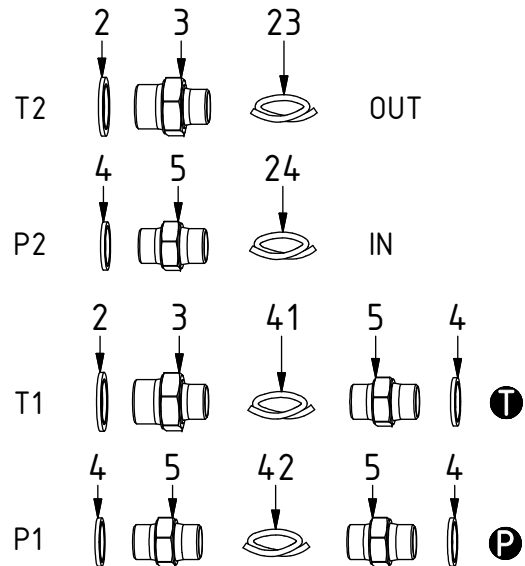


| POS | DESCRIPTION | PART | QTY | COMMENTS |
|-----|------------------------------------|---------|-----|----------|
| 1 | Main frame PP3200 | 1013820 | 1 | |
| 6 | Rubber TP120 | 640303 | 2 | |
| 7 | Washer BRB 17x30x3 | 611009 | 18 | |
| 8 | Lock Nut M6M M16x2 8,8 FZB | 610926 | 8 | |
| 9 | Damper | 640301 | 4 | |
| 10 | Screw M6S M12x40 8,8 FZB | 610476 | 32 | |
| 11 | Washer BRB 13x24x2,5 200 HV FZB | 611007 | 72 | |
| 12 | Lock Nut M6M M12x1,75 8,8 FZB | 610924 | 36 | |
| 13 | Valve block | 7001904 | 1 | |
| 14 | Screw MC6S M10x80 12.9 ZFSL | 6000394 | 2 | |
| 15 | Washer BRB 10,5x22x2 200 HV FZB | 611006 | 12 | |
| 16 | Lock Nut M6M M10x1,5 8,8 FZB | 610923 | 6 | |
| 17 | Hydraulic motor Casappa 14cc Steel | 7001975 | 1 | |
| 18 | Washer NL 14mm | 611043 | 2 | |
| 19 | Screw M6S M14x40 10.9 untreated | 6000284 | 2 | |
| 20 | O-ring 18,64x3,53 | 710964 | 3 | |
| 21 | Flange AGL-080-ZN | 7002051 | 1 | |
| 22 | Measuring point SMK-20-G1/4" | 7002049 | 1 | |
| 25 | Flange half 1/2" 3000PSI | 711086 | 4 | |
| 26 | Washer NL 8mm | 611040 | 8 | |
| 27 | Screw MC6S M8x50 12.9 ZFSL | 6000444 | 4 | |
| 28 | Screw MC6S M8x25 12.9 ZFSL | 6000143 | 4 | |
| 29 | Generator PP3200 | 1011618 | 1 | |
| 30 | Screw MC6S M16x130 12.9 ZFSL | 6000154 | 4 | |
| 31 | Washer NL 16mm | 611044 | 4 | |
| 32 | Lower part PP3200 | 1013812 | 1 | |
| 33 | Cover plate | 1013825 | 1 | |
| 34 | Screw M6S M10x40 8,8 | 610145 | 4 | |
| 35 | Extension PP3200 | 1013826 | 2 | |
| 36 | Screw MC6S M16x80 12.9 | 610528 | 8 | |
| 37 | Blade PP3200 | 1011625 | 1 | |
| 38 | Screw M6S M16x75 8,8 FZB | 6000008 | 2 | |

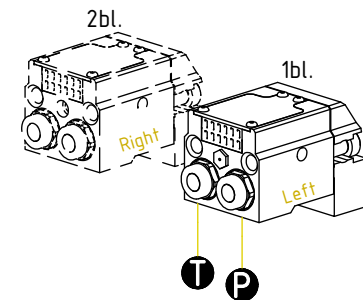
| POS | DESCRIPTION | PART | QTY | COMMENTS |
|-----|-------------------------------|---------|-----|----------|
| 2 | Washer GBR12 3/4 | 710706 | 2 | |
| 3 | Adapter 135-08-12 (1/2"-3/4") | 710109 | 2 | |
| 4 | Washer GBR08 1/2 | 710704 | 4 | |
| 5 | Adapter 136-08-08 (1/2") | 710108 | 4 | |
| 23 | Hose T2 | 7001921 | 1 | |
| 24 | Hose P2 | 7001920 | 1 | |
| 39 | Hose T | | 1 | |
| 40 | Hose P | | 1 | |
| 41 | Hose EC-Oil T | 7001919 | 1 | |
| 42 | Hose EC-Oil P | 7001918 | 1 | |



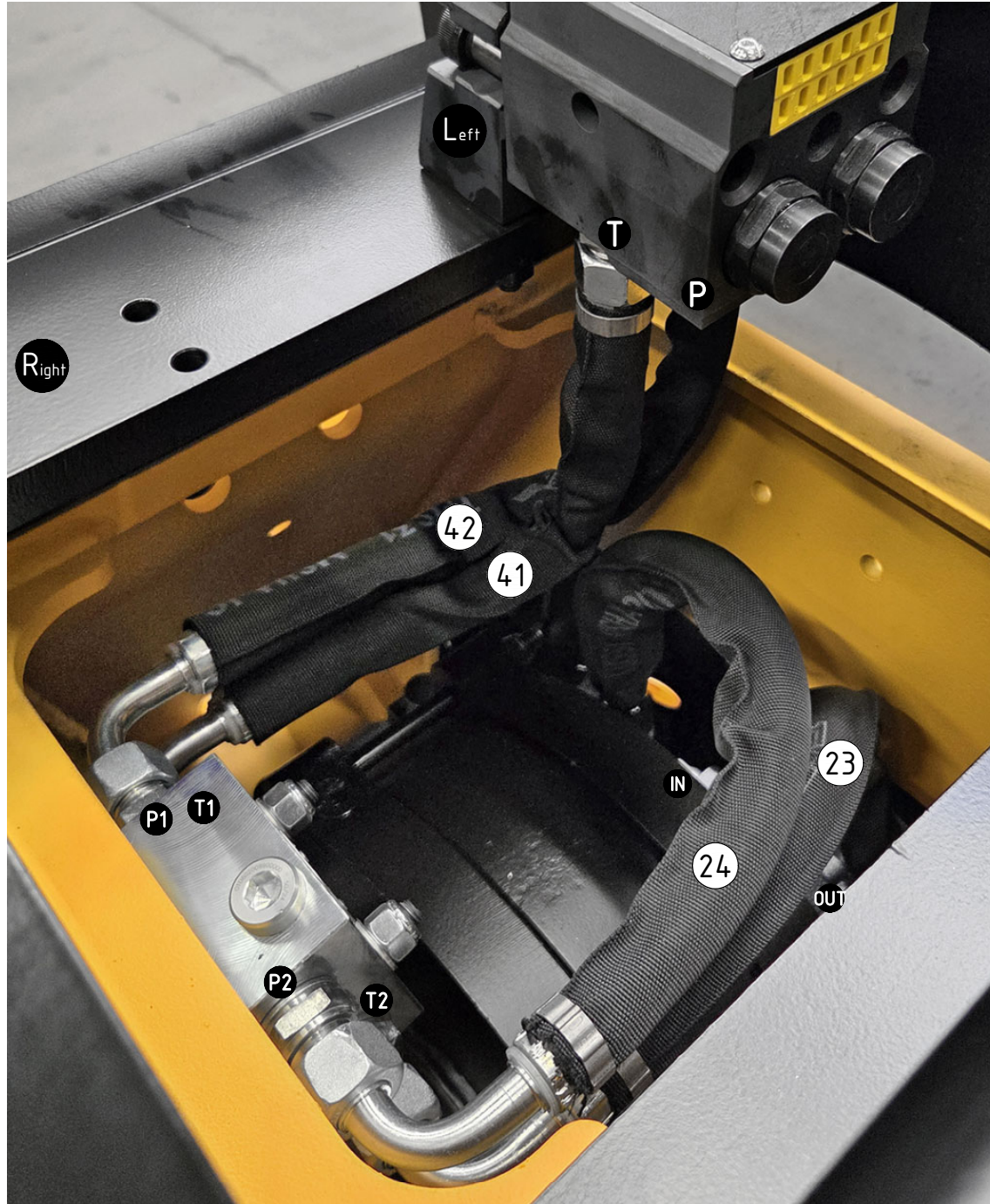
ECO60 W:



EC-Oil:



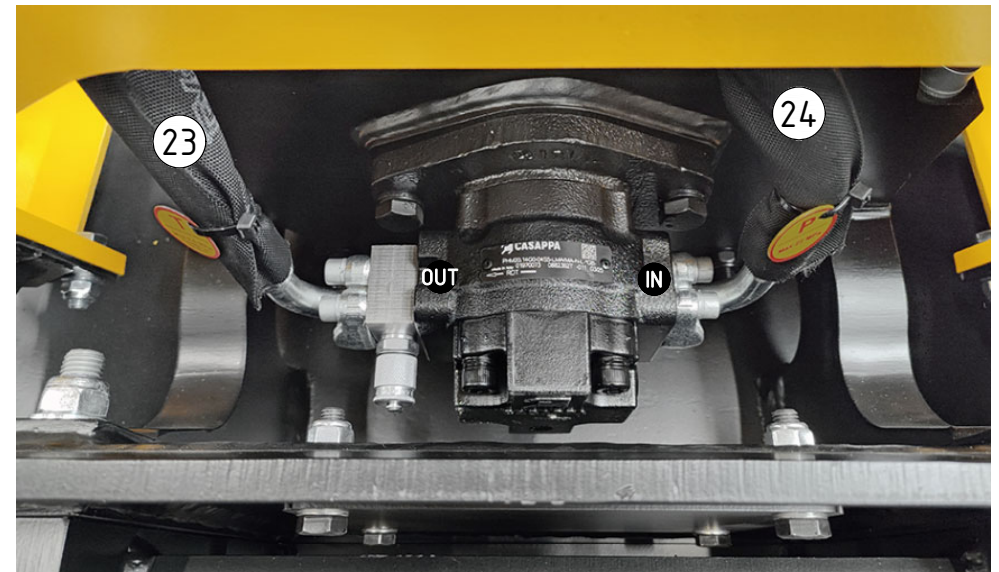
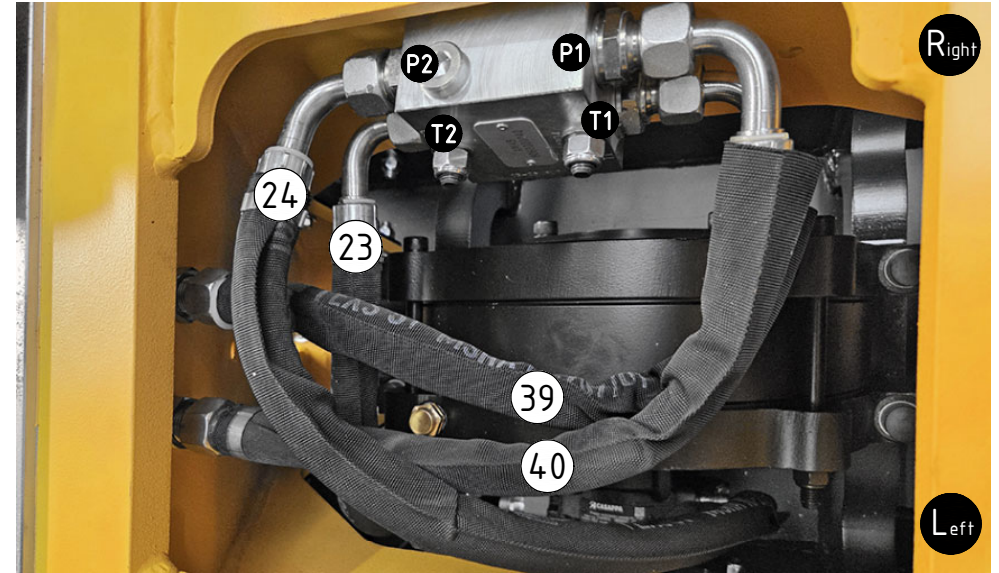
EC060 W:



| POS | DESCRIPTION | PART | QTY | COMMENTS |
|-----|---------------|---------|-----|----------|
| 23 | Hose T2 | 7001921 | 1 | |
| 24 | Hose P2 | 7001920 | 1 | |
| 39 | Hose T | | 1 | |
| 40 | Hose P | | 1 | |
| 41 | Hose EC-Oil T | 7001919 | 1 | |
| 42 | Hose EC-Oil P | 7001918 | 1 | |

POS in order of assembly

Without EC-Oil:

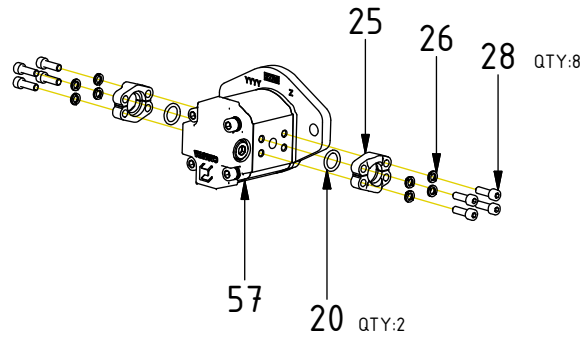


RELATED SPARE PARTS

| POS | DESCRIPTION | PART | QTY | COMMENTS |
|-----|------------------------------------|---------|-----|---------------------------------|
| 17 | Hydraulic motor Casappa 14cc Steel | 7001975 | 1 | |
| 20 | O-ring 18,64x3,53 | 710964 | 3 | |
| 25 | Flange half 1/2" 3000PSI | 711086 | 4 | |
| 26 | Washer NL 8mm | 611040 | 8 | |
| 28 | Screw MC6S M8x25 12.9 ZFSHL | 6000143 | 4 | |
| 57 | Hydraulic motor 14CC chock | 7000475 | 1 | Replaced by POS.17 from 2025-05 |

POS in order of assembly

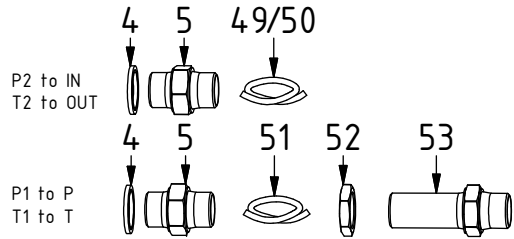
Motor until 2025-05



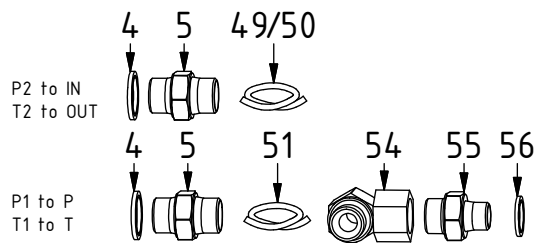
RELATED SPARE PARTS

PP3200 until 2024-02

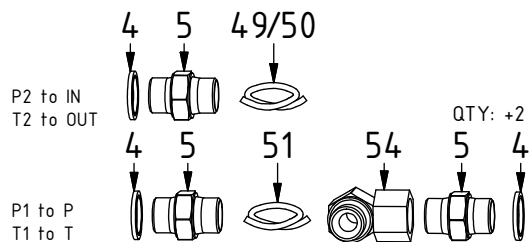
Without EC-Oil:



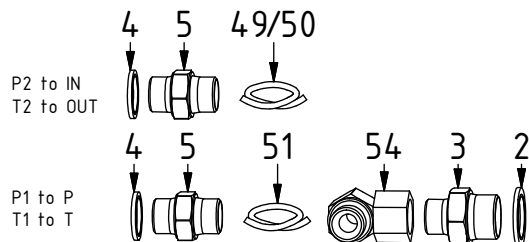
ECO45 W:



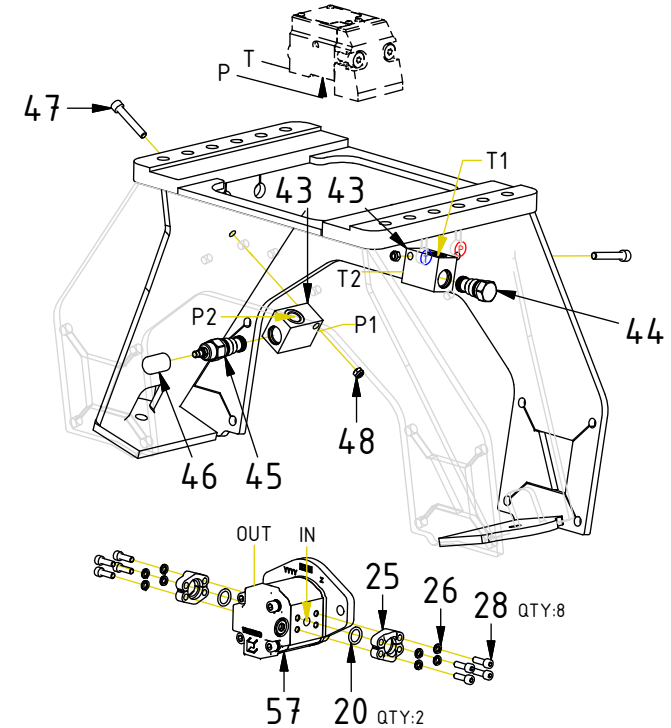
ECO60 W:



ECO70 W:



| POS | DESCRIPTION | PART | QTY | COMMENTS |
|-----|-------------------------------|---------|-----|---------------------------------|
| 2 | Washer GBR12 3/4 | 710706 | 2 | |
| 3 | Adapter 135-08-12 (1/2"-3/4") | 710109 | 2 | |
| 4 | Washer GBR08 1/2 | 710704 | 4 | |
| 5 | Adapter 136-08-08 (1/2") | 710108 | 4 | |
| 20 | O-ring 18,64x3,53 | 710964 | 3 | |
| 25 | Flange half 1/2" 3000PSI | 711086 | 4 | |
| 26 | Washer NL 8mm | 611040 | 8 | |
| 28 | Screw MC6S M8x25 12.9 ZFSHL | 6000143 | 4 | |
| 43 | Valve body DAV/S2 | 730282 | 2 | |
| 44 | Check valve | 730279 | 1 | |
| 45 | Flow limiter | 730280 | 1 | |
| 46 | Protective hood | 730281 | 1 | |
| 47 | Screw MC6S M10x60 12.9 | 610460 | 2 | |
| 48 | Hex. Nut M8 Nylon Lock | 612008 | 2 | |
| 49 | Hose P2 to IN | 740810 | 1 | |
| 50 | Hose T2 to OUT | 740808 | 1 | |
| 51 | Hose P1 to P & T1 to T | 740809 | 2 | |
| 52 | Counternut 1270-08 (1/2") | 710254 | 2 | |
| 53 | Adapter 1260-08-45 (1/2") | 710263 | 2 | |
| 54 | Adapter 090-08-08 90° (1/2") | 710217 | 2 | |
| 55 | Adapter 135-06-08 | 710122 | 2 | |
| 56 | Washer GBR06 3/8 | 710703 | 2 | |
| 57 | Hydraulic motor 14CC chock | 7000475 | 1 | Replaced by POS.17 from 2025-05 |



POS in order of assembly