

COVERSHEET

Planned document changes:

Briefly:

2026-05-06. Correct part no for POS.12: 610122 (8x16).

Document changes:

Date:	Change:	Rev. after change:
2025-09-11	Overcenter valve corrected.	F
2025-05-08	Coversheet added. Spare parts page added.	E

Readers note:

Indicates instruction.

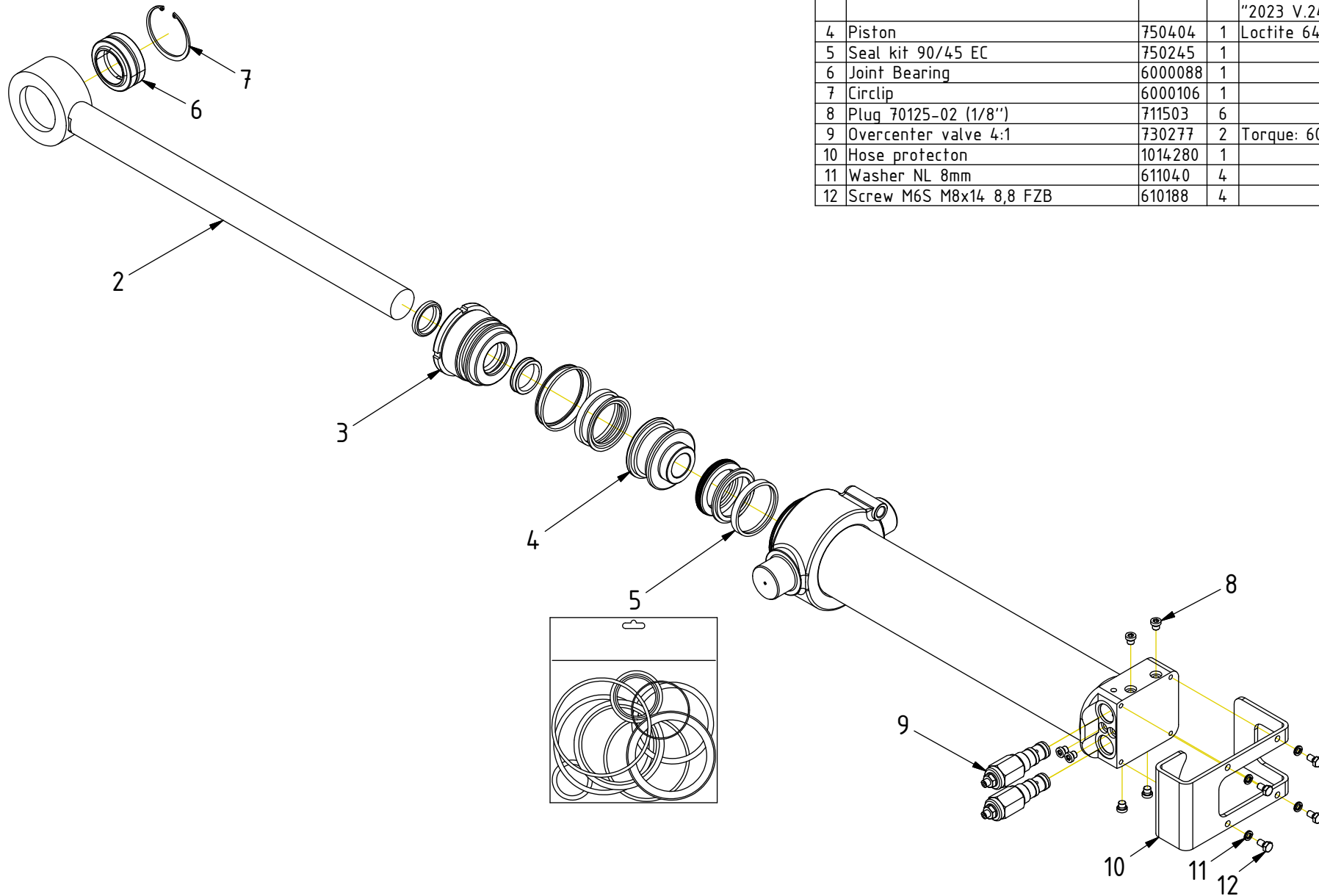


Represents Hose.

Dashed lines for overview, mounts
on other pages/assemblies.

Tilt cylinder - EC233

POS in order of assembly



POS	DESCRIPTION	PART	QTY	COMMENTS
1	Tilt cylinder EC233	1039112	1	(POS.2-8 incl.)
2	Piston rod	1039113	1	
3	Top nut $\varnothing 90/45$	750303	1	Loctite 648 Used on cylinders marked "2023 V.24" and newer
4	Piston	750404	1	Loctite 648
5	Seal kit 90/45 EC	750245	1	
6	Joint Bearing	6000088	1	
7	Circlip	6000106	1	
8	Plug 70125-02 (1/8")	711503	6	
9	Overcenter valve 4:1	730277	2	Torque: 60Nm
10	Hose protecton	1014280	1	
11	Washer NL 8mm	611040	4	
12	Screw M6S M8x14 8,8 FZB	610188	4	

RELATED SPARE PARTS

POS	DESCRIPTION	PART	QTY	COMMENTS
3	Top nut $\varnothing 90/45$	750303	1	Loctite 648 Used on cylinders marked "2023 V.24" and newer
13	Top nut $\varnothing 90/45$ - Old	7002100	1	Used on cylinders marked "2023 V.23" and earlier

POS in order of assembly

Used until 2023-06

