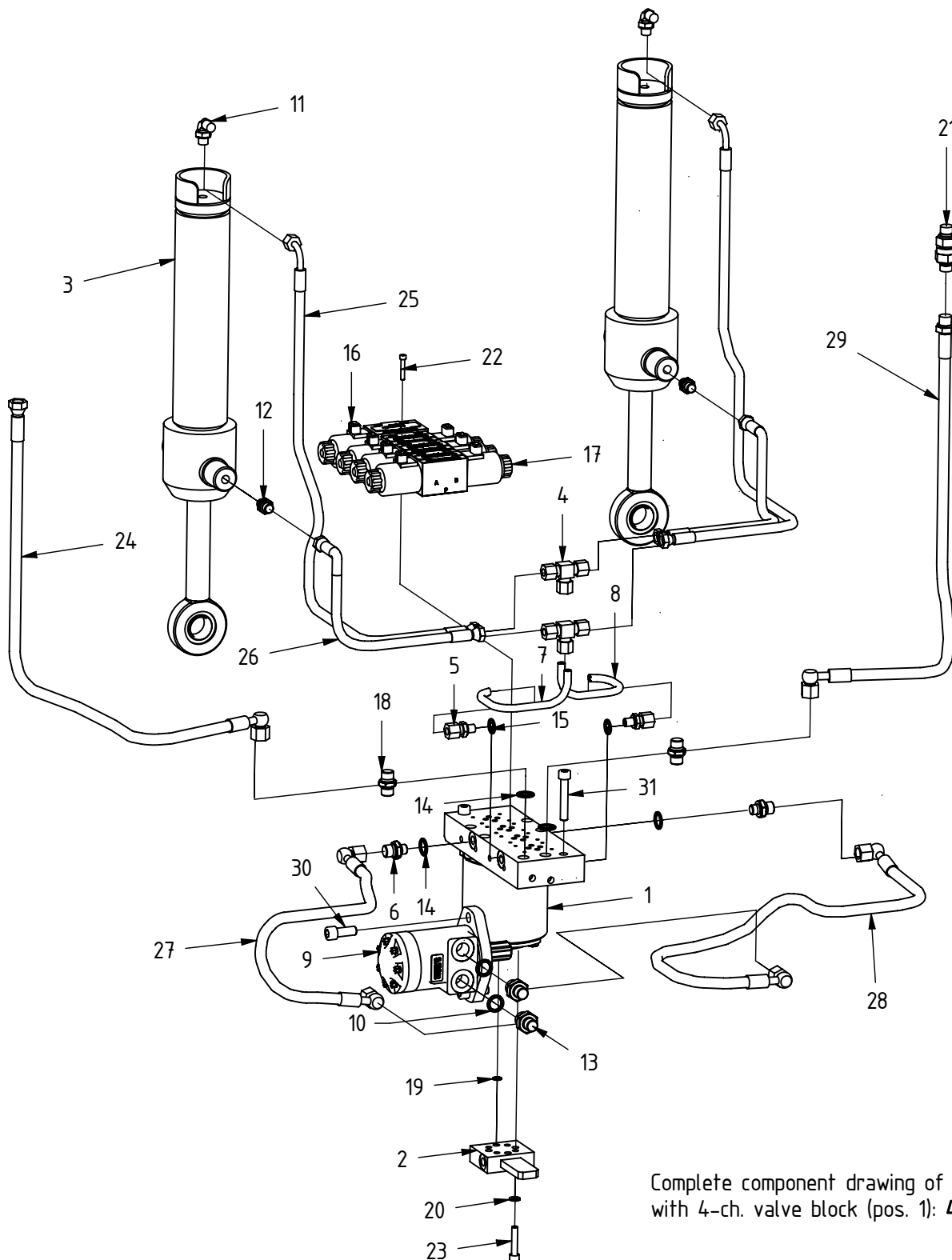


Hydraulic System EC10

Published: 2006-09-29

Drawing No: 403682/C

Complete component drawing
for tiltcylinder 400553 (pos. 3):
404955



Complete component drawing of swivel
with 4-ch. valve block (pos. 1): **403817**

Hydraulic System EC10

Published: 2006-09-29

Drawing No: 403682/C

POS	DESCRIPTION	PART	QTY	COMMENTS
1	Valveblock with svivel	200013K	1	4--ch.
2	Connection block 10	400068	1	
3	Tilt cylinder EC10 E.L	400553	2	
4	Adapter	710323	2	
5	Adapter	710343	2	
6	Adapter	710118	2	132-04-06
7	Tilting Tube (Right)	301703	1	EC10
8	Tilting Tube (Left)	301702	1	EC10
9	Motor	720112	1	Charlynn 131cc T-motor
10	Tredo Washer	710704	2	GBR-08
11	Adapter 90K	710151	2	237-04-04
12	Adapter	710104	2	132-04-04
13	Adapter	710122	2	132-06-08
14	Tredo Washer	710703	4	GBR-06
15	Tredo Washer	710702	2	GBR-04
16	Directional Valve	730104	1	24V lock
17	Directional Valve	730103	3	24V bidirectional
18	Adapter	710106	2	132-06-06
19	O-ring	710901	4	9,25x1,78
20	Split Lock Washer	611023	4	8, 1x14, 8x2
21	One-way Valve	730212	1	NRSM3/8
22	Socket Head Screw 5 x 30	610403	16	12,9 Untreated ISO 4762
23	Socket Head Screw 8 x 40	610437	4	12,9 Untreated ISO 4762
24	Hydraulic Hose	740402	1	
25	Hydraulic Hose	740115	2	
26	Hydraulic Hose	740116	2	
27	Hydraulic Hose	740106	1	
28	Hydraulic Hose	740107	1	
29	Hydraulic Hose	740403	1	
30	Socket Head Screw 12 x 30	610474	2	12,9 Untreated ISO 4762
31	Socket Head Screw 10 x 60	610460	2	12,9 Untreated ISO 4762