

GR10
COVERSHEET

Planned document changes:

Briefly:

2026-05-08. Correct part no for POS.15: 611041 (10mm).

Document changes:

Date:	Change:	Rev. after change:
2025-06-17	Spacers for EC209B added.	P
2025-04-03	Cylinders for EC209B added.	O
2021-04-21	Spare parts page updated.	N
2019-04-18	Coversheet added.	M

Readers note:

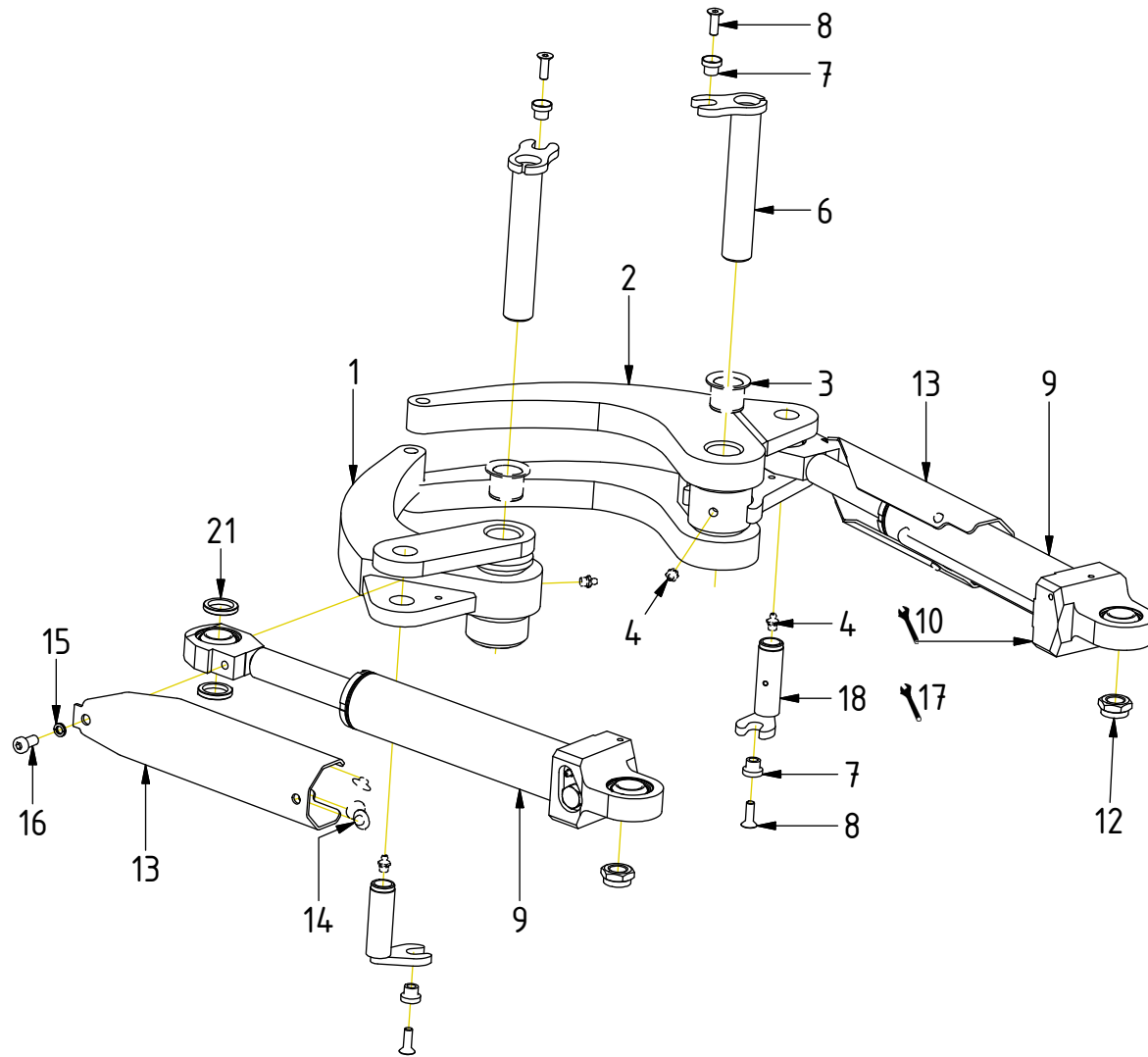
Indicates instruction.



Represents Hose.

Dashed lines for overview, mounts
on other pages/assemblies.

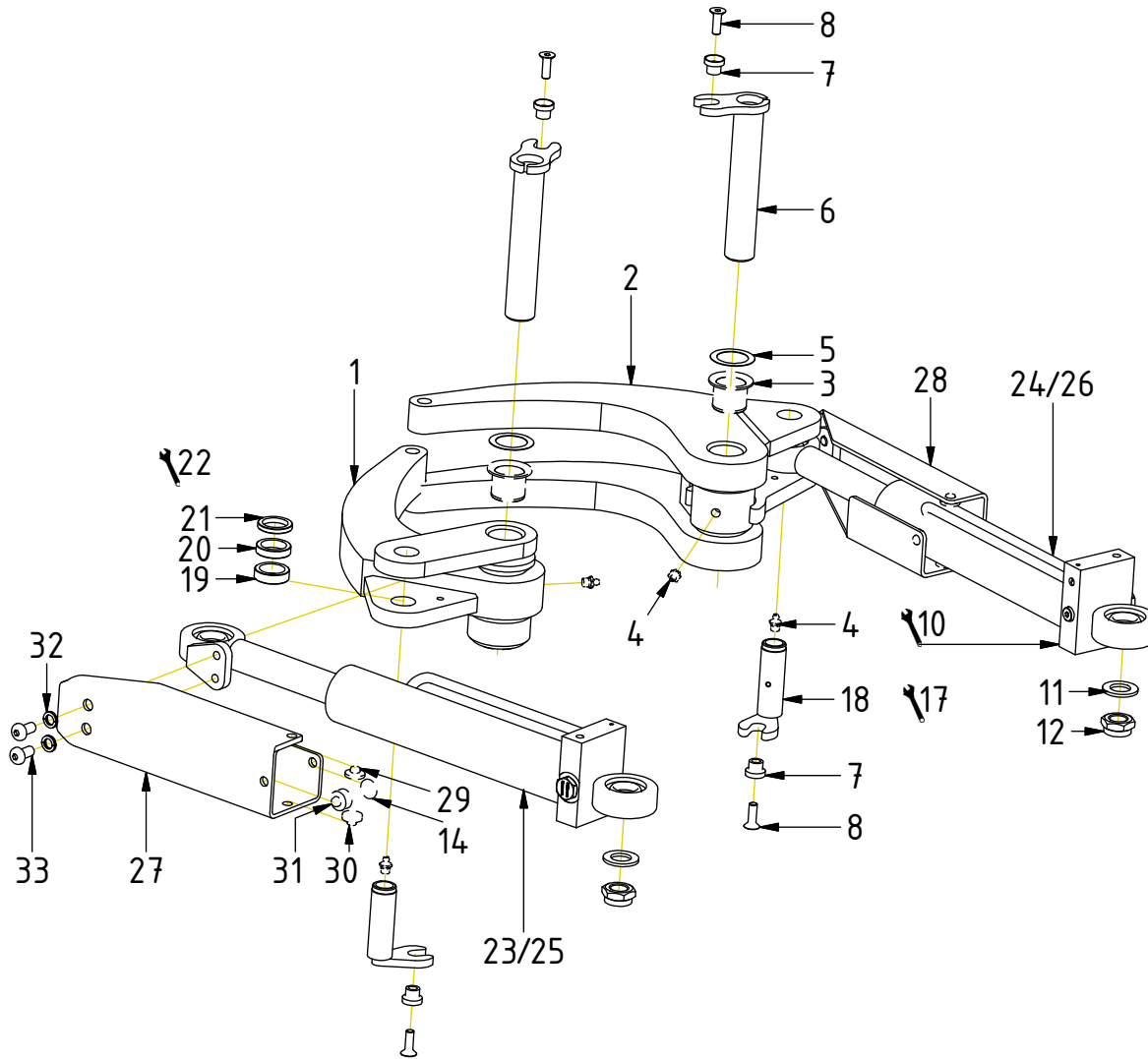
EC209B HYDS



POS	DESCRIPTION	PART	QTY	COMMENTS
1	Grab arm (Single) Complete	200422K	1	(POS.3-4 incl.)
2	Grab arm (Double) Complete	200423K	1	(POS.3-4 incl.)
3	Bushing 30/34/45x30	630401	4	
4	Grease Nipple	711403	4	
6	Axle Grab arm	400521	2	
7	Spacer countersink	400659	4	QTY: 6 without Welded shafts
8	Screw MF6S M8x25 10.9 FZB	610608	4	QTY: 6 without Welded shafts Loxeal 83-52
9	Grab cylinder GRD/GR B	1076320	2	For HYDS
10	Adapters according to Quick hitch			See "Quick hitch"
12	Lock Nut M6M M20x2,5 8,8 FZB	610928	2	
13	Grab cover GRD/GR B	1078390	2	For HYDS (POS.14 incl.)
14	Plastic spacer 1,2mm	400635	2	QTY: 6 for HYDS
15	Washer NL 8mm	611040	2	
16	Screw MLC6S M10x20 8,8 FZB	610714	2	
17	Mount during quick hitch assembly			
18	Axle grab cyl. (against grab arm)	400461	2	(POS.4 incl.)
21	Spacer 5mm Grab arm	402615	2	QTY: 4 for HYDS

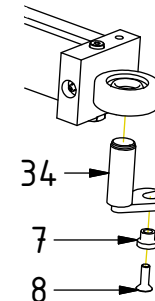
POS in order of assembly

EC206B, EC209B CW,
EC206-EC214, EC05B-EC15B



POS	DESCRIPTION	PART	QTY	COMMENTS
1	Grab arm (Single) Complete	200422K	1	(POS.3-4 incl.)
2	Grab arm (Double) Complete	200423K	1	(POS.3-4 incl.)
3	Bushing 30/34/45x30	630401	4	
4	Grease Nipple	711403	4	
5	Shim Ø45/32 t0,5	650525	2	Used if required
6	Axle Grab arm	400521	2	
7	Spacer countersink	400659	4	QTY: 6 without Welded shafts
8	Screw MF6S M8x25 10.9 FZB	610608	4	QTY: 6 without Welded shafts Loxeal 83-52
10	Adapters according to Quick hitch			See "Quick hitch"
11	Flat Washer	611010	2	
12	Lock Nut M6M M20x2,5 8,8 FZB	610928	2	
14	Plastic spacer 1,2mm	400635	2	QTY: 6 for HYDS
17	Mount during quick hitch assembly			
18	Axle grab cyl. (against grab arm)	400461	2	(POS.4 incl.)
19	Spacer 10mm Grab arm	402171	2	Used if required
20	Spacer 8mm Grab arm	402170	2	Used if required
21	Spacer 5mm Grab arm	402615	2	QTY: 4 for HYDS
22	Spacers as tight ass possible. Widest spacer underneath cyl. ear			
23	Grab cylinder L Complete	301898K	1	
24	Grab cylinder R Complete	301470K	1	
25	Grab cyl. L rotated ear Complete	302427K	1	
26	Grab cyl. R rotated ear Complete	302428K	1	
27	Grab cover L Complete	1022975K	1	(POS.14, 29-31 incl.)
28	Grab cover R Complete	1022974K	1	(POS.14, 29-31 incl.)
29	Plastic spacer 3mm	402215	2	
30	Plastic spacer 5mm	400636	2	
31	Plastic spacer 10mm	400637	2	
32	Washer NL 10mm	611041	4	
33	Screw K6S M10x20 10.9 FZB	611812	4	
34	Axle grab cyl. (against quick hitch)	402541	2	Without Welded shafts

Without Welded shafts:



POS in order of assembly

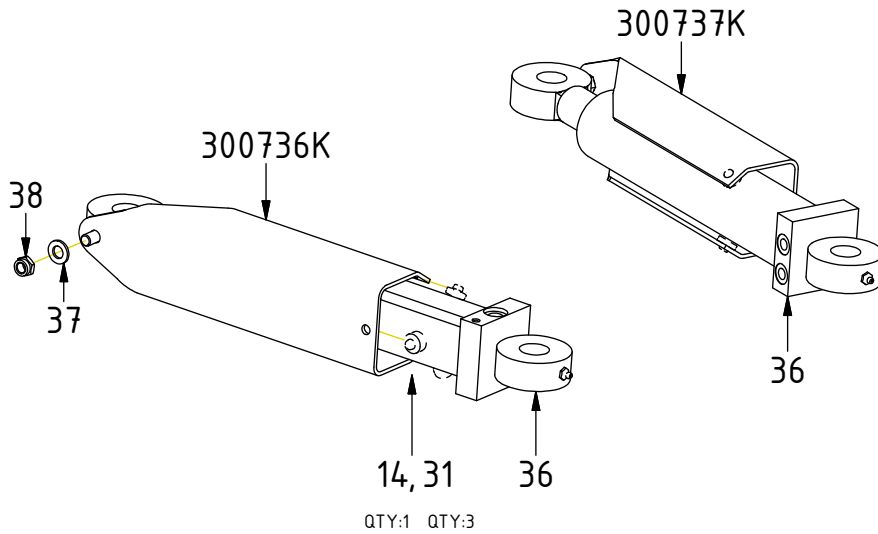
RELATED SPARE PARTS

POS	DESCRIPTION	PART	QTY	COMMENTS
9	Grab cylinder GRD/GR B	1076320	2	For HYDS
13	Grab cover GRD/GR B	1078390	2	For HYDS
14	Plastic spacer 1,2mm	400635	2	QTY: 6 for HYDS
23	Grab cylinder L Complete	301898K	1	
24	Grab cylinder R Complete	301470K	1	
25	Grab cyl. L rotated ear Complete	302427K	1	
26	Grab cyl. R rotated ear Complete	302428K	1	
27	Grab cover L Complete	1022975K	1	(POS.14, 29-31 incl.)
28	Grab cover R Complete	1022974K	1	(POS.14, 29-31 incl.)
31	Plastic spacer 10mm	400637	2	
35	Grab cover washer	402628	2	Used until 2019
36	Grab cylinder 10 Complete	300733K	2	Replaced by POS.23-24 fr 2002-12
37	Washer BRB 13x24x2,5 200 HV FZB	611007	2	
38	Lock Nut M6M M12x1,75 8,8 FZB	610924	2	

Used between cyl.
and cover until 2019



Used until 2002-12



POS in order of assembly