

## Planned document changes:


### Briefly:

2026-05-04. Add ECO50 / S50 to headings (identical to ECO45 / S45).

## Document changes:

Date:	Change:	Rev. after change:
2025-08-21	New document.	-

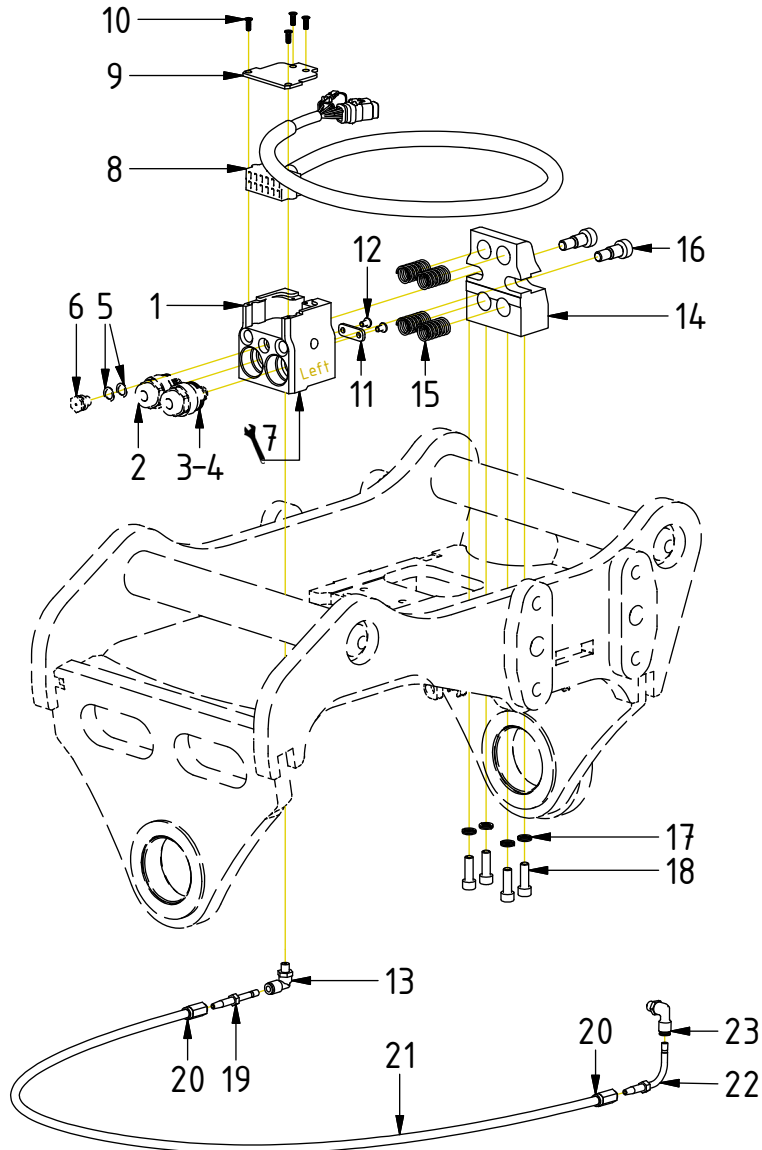
### Readers note:

 Indicates instruction.

 Represents Hose.

Dashed lines for overview, mounts  
on other pages/assemblies.

S45  
DC3



POS	DESCRIPTION	PART	QTY	COMMENTS
1	Block ECO45W Top 2hy.1cl. Complete	1074024	1	(POS.2, 5-6 incl.)
2	Coupling ECO45/50 3/8" male	1028873	2	Torque: 60Nm. (POS.3-4 incl.)
3	Backup-ring SKF-19-022-395A PU	710995	2	
4	O-ring 25.12x1.78 NBR/70	710979	2	
5	Washer Copper 14x10	6000065	2	
6	Button head fitting 1/8" stainless	810505	1	Loxeal 58-12. Torque: 30Nm
7	Adapters according to Top part			See "Top part"
8	Power plug ECO45 W Top (4S, 6S)	8002712	1	
9	Coverplate ECO45 W Top	1041099	1	
10	Screw MKFT 4x12	6000121	4	
11	Cable clamp	1074897	1	
12	Screw K6S M5x8 10.9 FZB	611801	2	
13	Push-in swivel 90° M8x1	790173	1	Loxeal 58-12
14	Attachment block ECO45 W Top	1041097	1	
15	Spring 18x35	1024794	4	
16	Shoulder bolt 12x16/M10	611708	2	Loxeal 83-52
17	Washer NL 8mm	611040	4	
18	Screw MC6S M8x25 12.9 ZFSHL	6000143	4	Torque: 40Nm
19	Pipe stub straight Push-in	790175	1	
20	Screw socket HT-hose	7000585	2	
21	Grease hose bulk 100m	7001303	1	EC309: 925mm
22	Pipe stub 90° Push-in	7000318	1	
23	Adapter 90° Push-in R1/8"	790184	1	Loxeal 58-12
24	Transport Protection ECO-Block	1035199	1	Part of make up

POS in order of assembly

