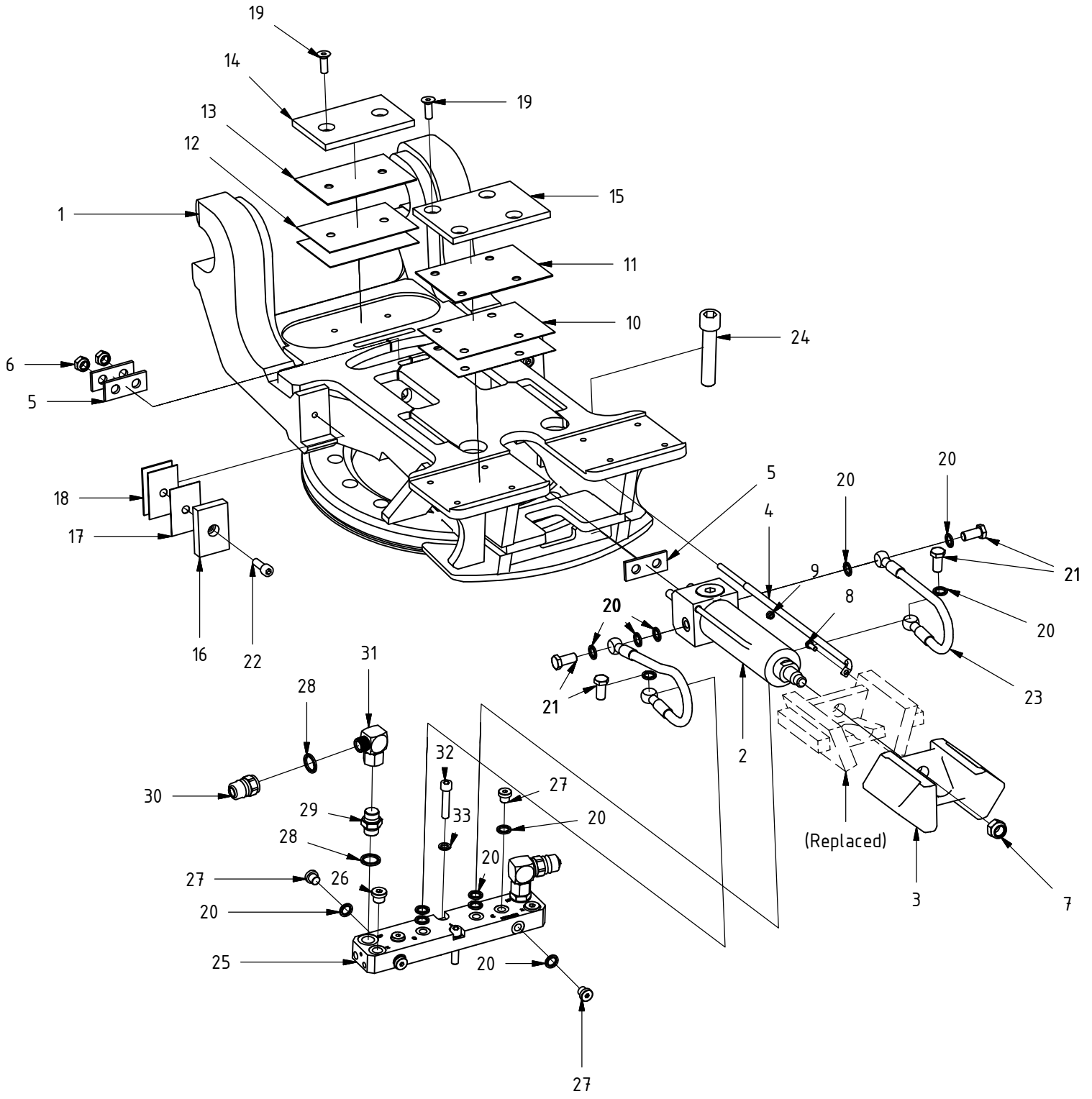


EC20B - S1

Published: 2015-02-10

Drawing No: 403731/F



**EC20B - S1**

Published: 2015-02-10				Drawing No: 403731/F	
POS	DESCRIPTION	PART	QTY	COMMENTS	
1	Quick hitch 20 HD	1007230	1	Current (Replaced 100013 from 100601)	
2	Locking cylinder S1	400651K	1	See subheading Locking Cylinders for exploded view	
3	Locking wedge S1	1015047	1	Current (Replaced 300686 from 130601)	
4	Indicator pin	400910	1		
5	Bracket	400155	3		
6	Hex. Nut M12 Nylon Lock	610924	2		
7	Hex. Nut M16 Nylon Lock	610926	2		
8	Hex Head Screw 6x16	610109	1		
9	Hex. Nut M6 Nylon Lock	610921	1		
10	Shims large 1mm	400530	4		
11	Shims large 2mm	400531	2		
12	Shims small 1mm	400532	2		
13	Shims small 2mm	400533	1		
14	Shims small	400513	1		
15	Shims large	400512	2		
16	Shims hook	400511	2		
17	Shims hook 1mm QC20	400528	4		
18	Shims hook 2mm QC20	400529	2		
19	Flat head socket screw 10x30	610635	10		
20	Seal washer 04 (1/4")	710702	17		
21	Banjo bolt	710271	4		
22	Socket Head Screw 10x30	610452	2		
23	Hydraulic Hose Locking	740235	2		
24	Socket Head Screw 20x100	610557	12		
25	Connection block EC20	203430	1		
26	Plug	711504	2		
27	Plug 1/4"	711505	6		
28	Seal washer 08 (1/2")	710704	4		
29	Adapter	710108	2		
30	Quick coupling 1/2" male 5020	790115	2		
31	Adapter 90*	710217	2		
32	Socket Head Screw 10x50	610457	2		
33	NL washer 10	611041	2		