

Planned document changes:

Briefly:

No planned changes.

Document changes:

| Date: | Change: | Rev. after change: |
|--------------|---|-------------------------------|
| 2026-05-08 | Pressure sensor updated. Tilt hoses replaced. | F |
| 2025-10-28 | Adapters for P updated. | E |
| 2025-01-08 | Valve block updated. | D |
| 2024-09-13 | Feed hoses corrected. | C |
| 2024-03-01 | Photos added. T&P corrected. | B |
| 2024-02-08 | Valve block top with o-rings added. | A |
| 2023-05-11 | New document. | - |

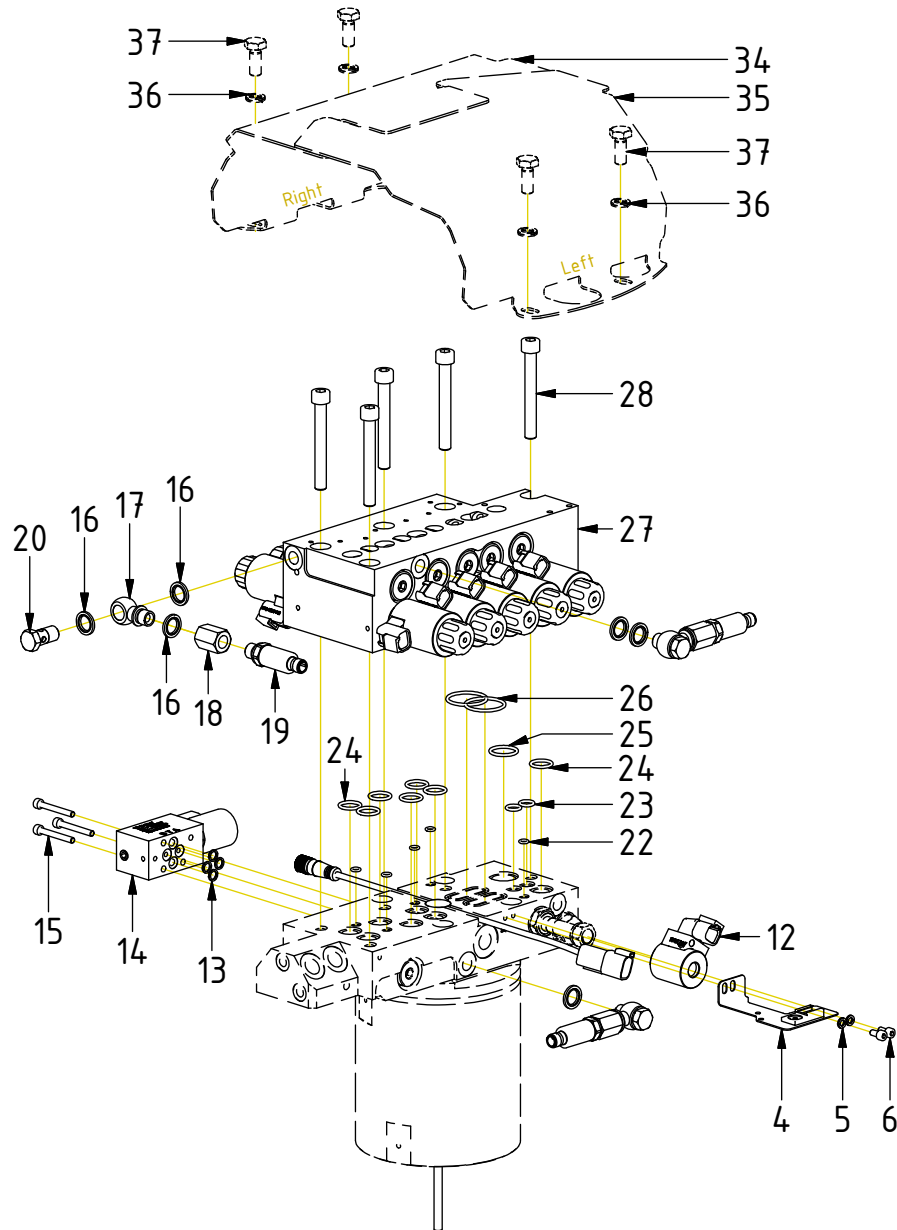
Readers note:

Indicates instruction.



Represents Hose.

Dashed lines for overview, mounts
on other pages/assemblies.

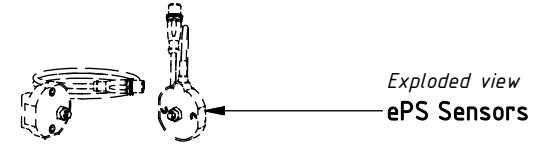
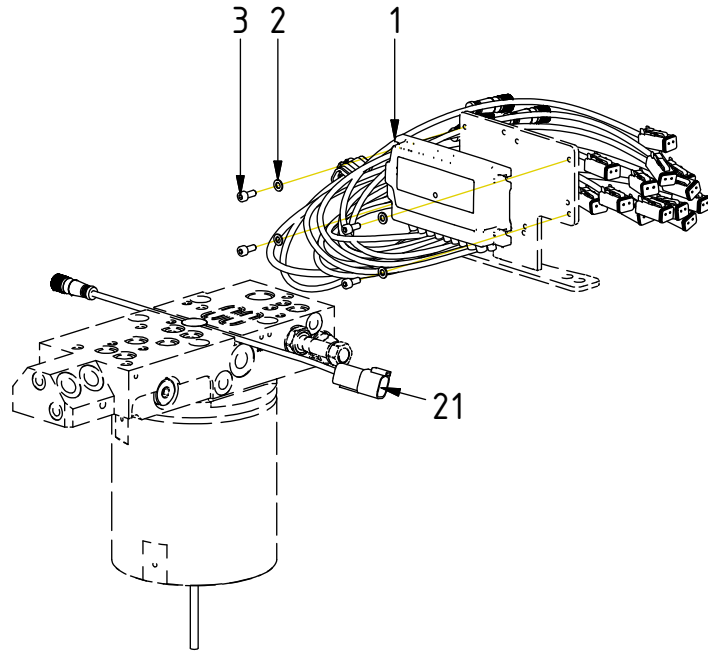


| POS | DESCRIPTION | PART | QTY | COMMENTS |
|-----|------------------------------------|---------|-----|---|
| 4 | Mounting plate EC3 | 1075376 | 1 | |
| 5 | Washer NL 5mm | 611038 | 2 | |
| 6 | Screw MC6S M5x10 12.9 | 610594 | 2 | |
| 12 | Coil S130-24DU-20S | 7001925 | 1 | |
| 13 | O-ring 7,65x1,78 | 710960 | 4 | |
| 14 | Directional valve NG4 IQS L 24V DT | 1042190 | 1 | |
| 15 | Screw MC6S M5x40 12.9 | 610405 | 3 | Torque: 9,7Nm |
| 16 | Washer GBR04 1/4 | 710702 | 10 | |
| 17 | Adapter 831-04-04 (1/4") | 710149 | 3 | |
| 18 | Adapter 6889-04-04 | 712228 | 3 | |
| 19 | Pressure sensor PT5400 | 7002167 | 3 | Torque: 35Nm |
| 20 | Banjo bolt 4451-04 (1/4") | 710271 | 3 | |
| 22 | O-ring 5,0x2,0 | 7001770 | 5 | |
| 23 | O-ring 9,19x2,62 | 7001772 | 2 | |
| 24 | O-ring 15,54x2,62 | 7001771 | 7 | |
| 25 | O-ring 20,63x2,62 | 7001774 | 1 | |
| 26 | O-ring 31,47x2,62 | 7001773 | 2 | |
| 27 | Valve block top Complete | 1079722 | 1 | Must mount after tiltrotator module DC3 |
| 28 | Screw MC6S M10x80 12.9 ZFSL | 6000394 | 5 | Loxeal 55-02. Torque: 79Nm |
| 34 | Protective cover EC319 right | 1070619 | 1 | Part of make up |
| 35 | Protective cover EC319 left | 1070620 | 1 | Part of make up |
| 36 | Washer NL 10mm | 611041 | 4 | Part of make up |
| 37 | Screw M6S M10x25 8,8 FZB | 610142 | 4 | Part of make up |

POS in order of assembly

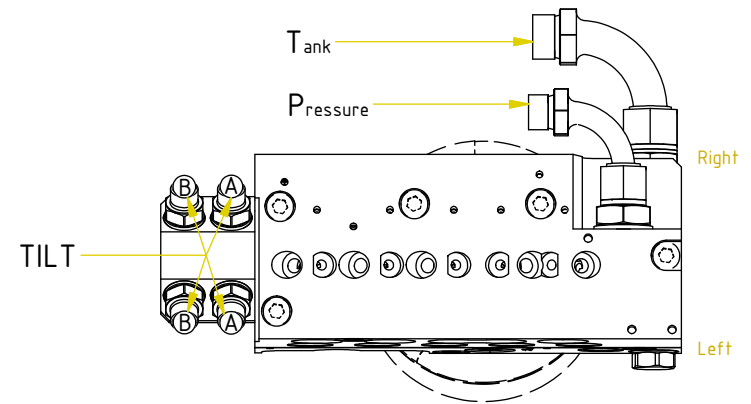
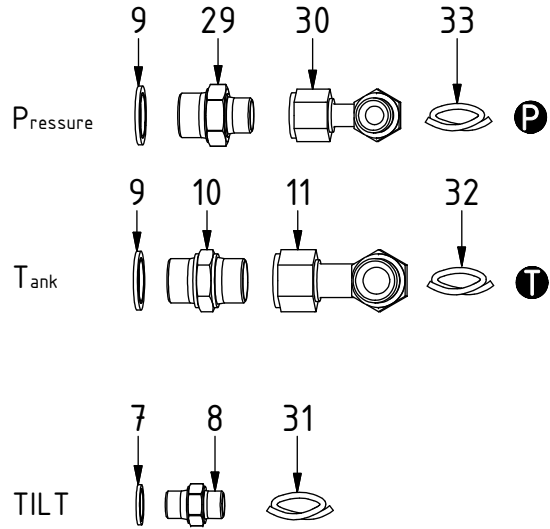
Cables

| POS | DESCRIPTION | PART | QTY | COMMENTS |
|-----|--------------------------------|---------|-----|-----------------------------------|
| 1 | Tiltrotator module DC3 | 8001501 | 1 | Must mount before top valve block |
| 2 | Washer BRB 5,3x10x1 200 HV FZB | 611003 | 4 | |
| 3 | Screw MC6S M5x12 12.9 | 6000077 | 4 | |
| 21 | Q-Safe connector | | | |



Hoses

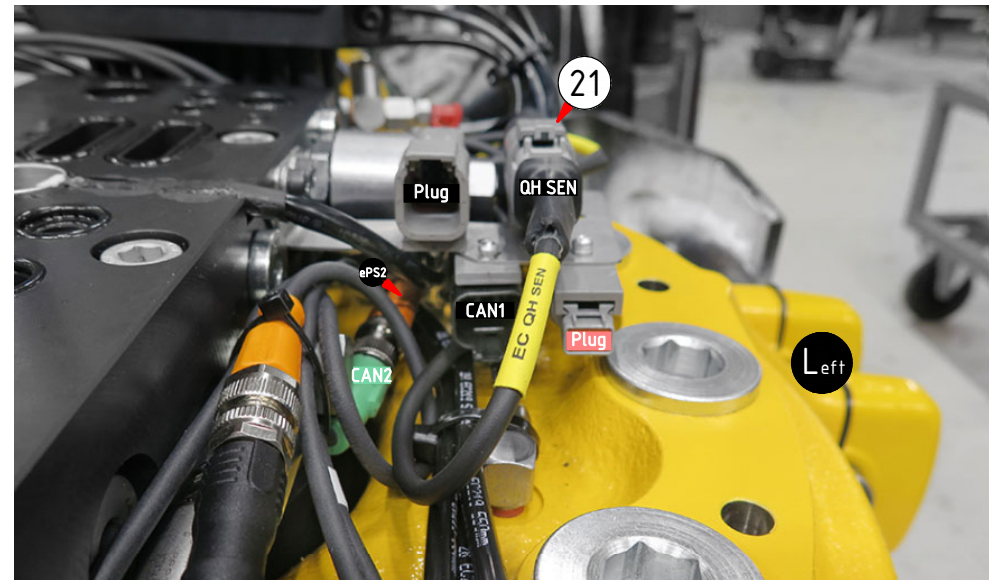
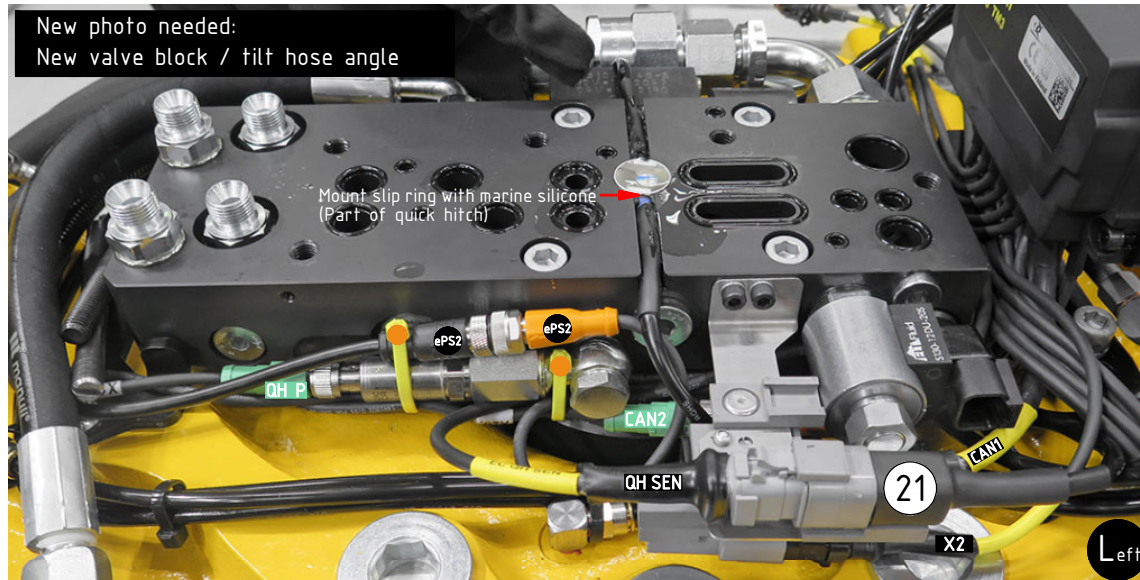
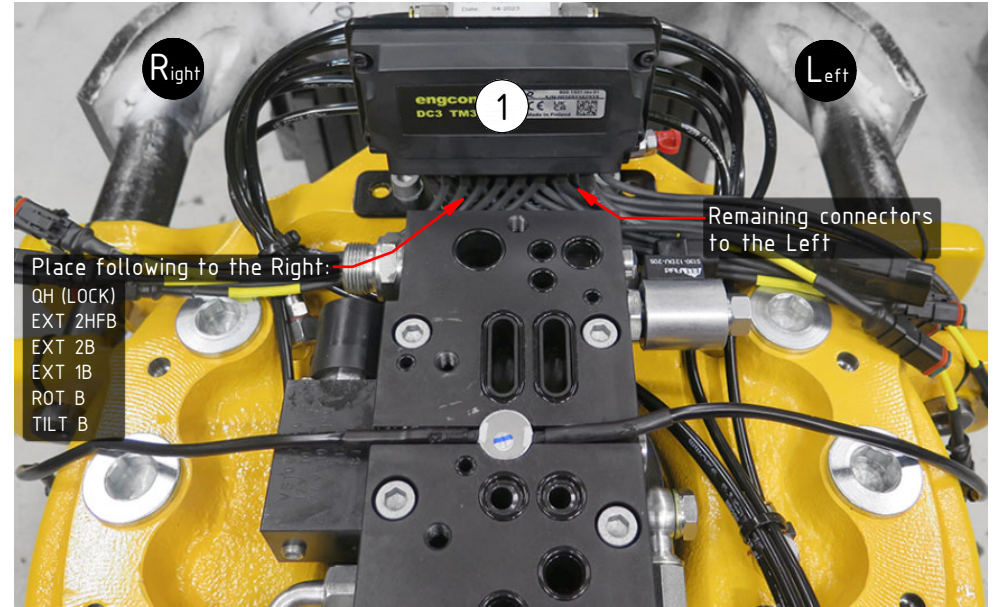
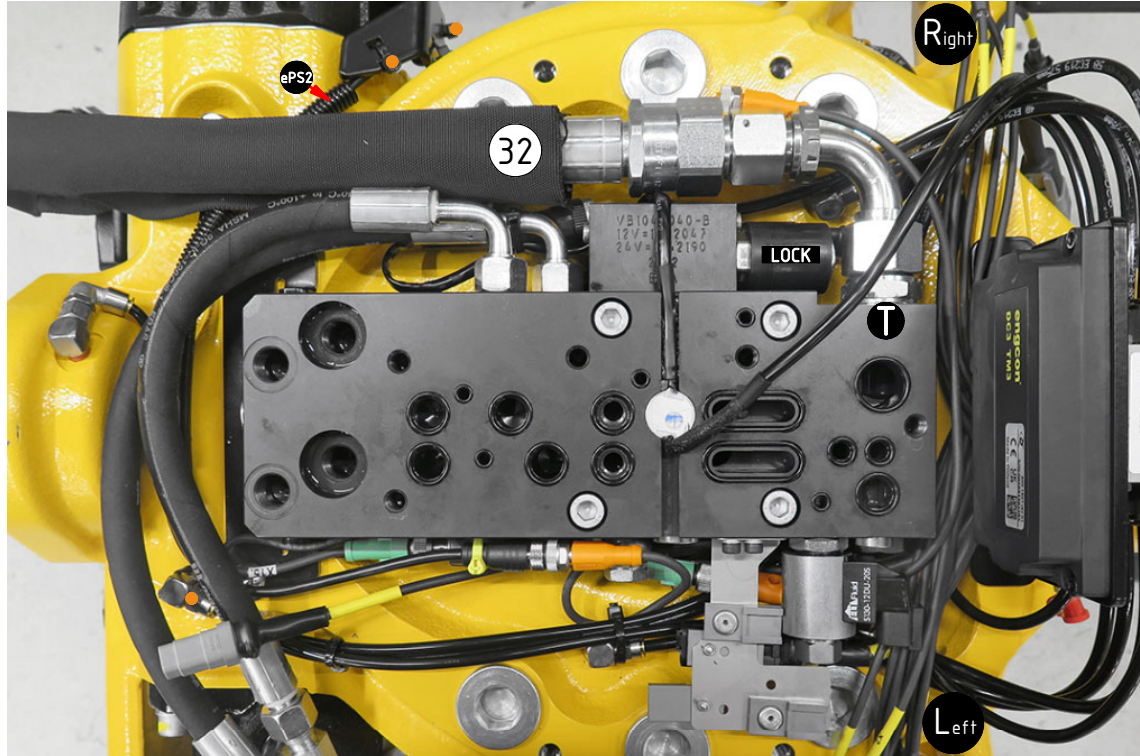
| POS | DESCRIPTION | PART | QTY | COMMENTS |
|-----|-------------------------------|---------|-----|----------|
| 7 | Washer GBR06 3/8 | 710703 | 4 | |
| 8 | Adapter 136-06-06 (3/8") | 710106 | 4 | |
| 9 | Washer GBR12 3/4 | 710706 | 2 | |
| 10 | Adapter 136-12-12 (3/4") | 710126 | 1 | |
| 11 | Adapter 707-12 90° (3/4") | 7001984 | 1 | |
| 29 | Adapter 135-08-12 (1/2"-3/4") | 710109 | 1 | |
| 30 | Adapter 488-08-08 90° (1/2") | 712209 | 1 | |
| 31 | Hose Tilt | 7002162 | 4 | |
| 32 | Hose Feed ECO T | 7001804 | 1 | |
| 33 | Hose Feed ECO P | 7001803 | 1 | |



POS in order of assembly

Bottom block assy.

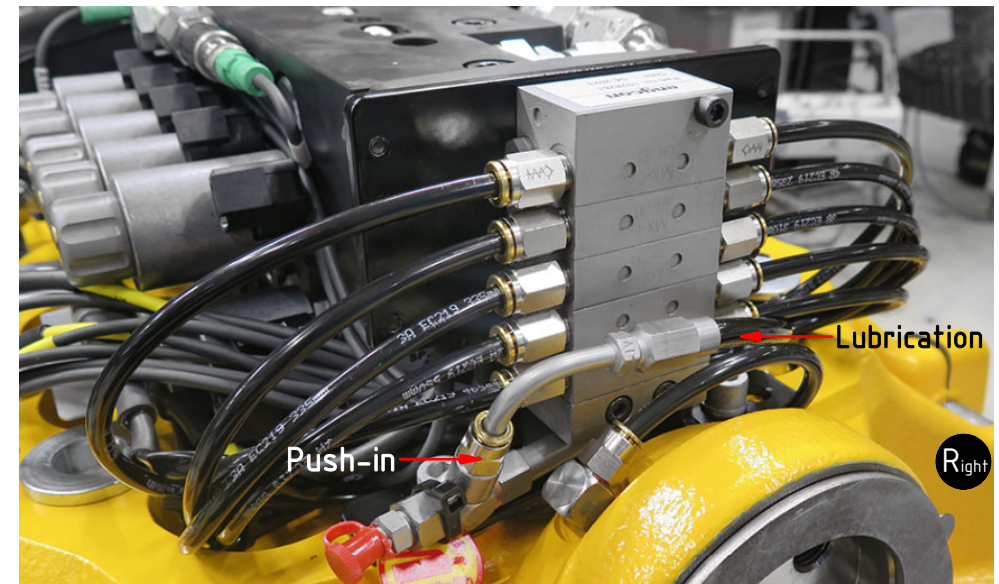
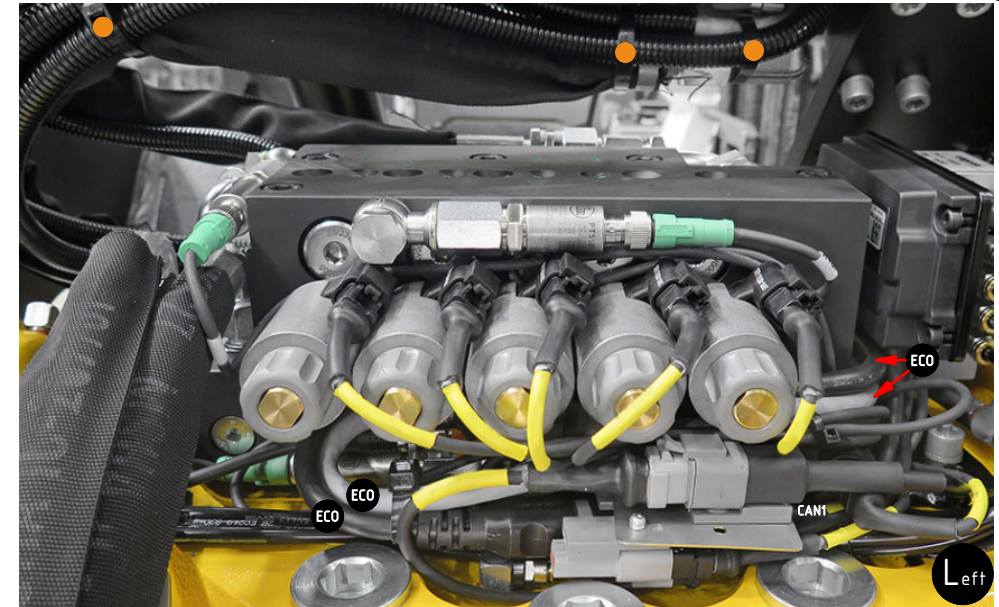
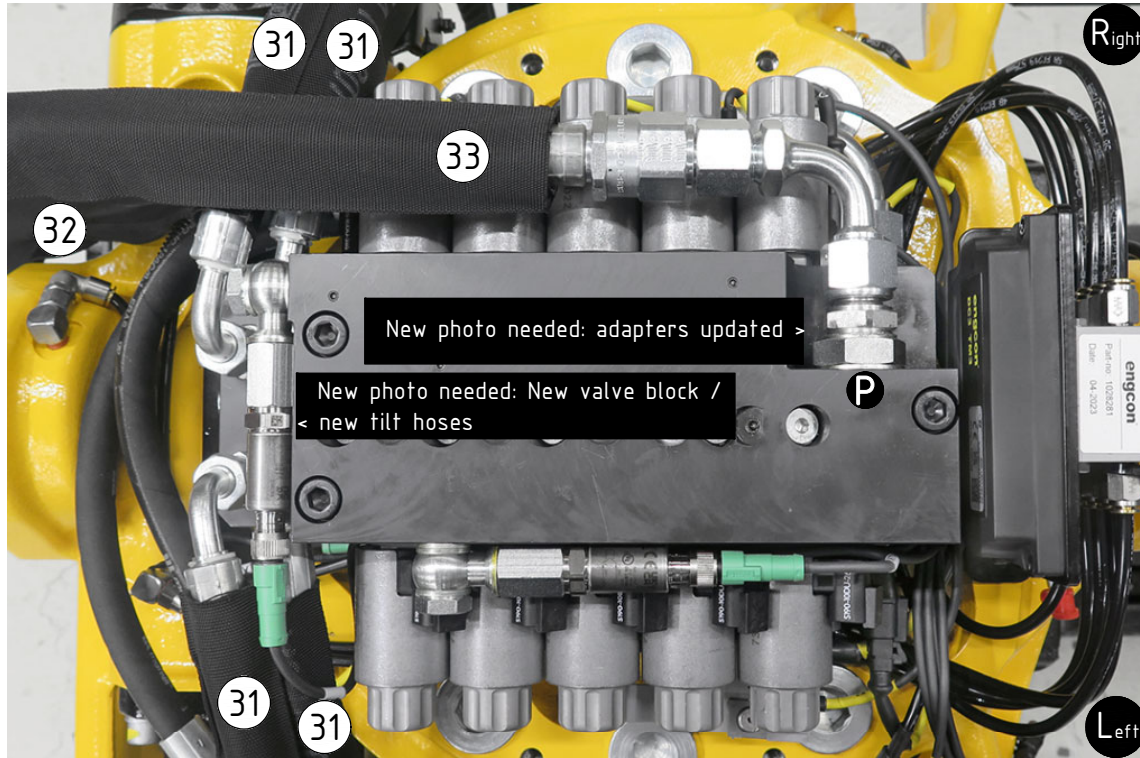
| POS | DESCRIPTION | PART | QTY | COMMENTS |
|----------------|------------------------|---------|-----|-----------------------------------|
| 1 | Tiltrotator module DC3 | 8001501 | 1 | Must mount before top valve block |
| 21 | Q-Safe connector | | | |
| 32 | Hose Feed ECO T | 7001804 | 1 | |
| Use cable ties | | | | |



POS in order of assembly

Top block assy.

| POS | DESCRIPTION | PART | QTY | COMMENTS |
|------------------|------------------------|---------|-----|-----------------------------------|
| 1 | Tiltrotator module DC3 | 8001501 | 1 | Must mount before top valve block |
| 31 | Hose Tilt | 7002162 | 4 | |
| 32 | Hose Feed ECO T | 7001804 | 1 | |
| 33 | Hose Feed ECO P | 7001803 | 1 | |
| ● Use cable ties | | | | |

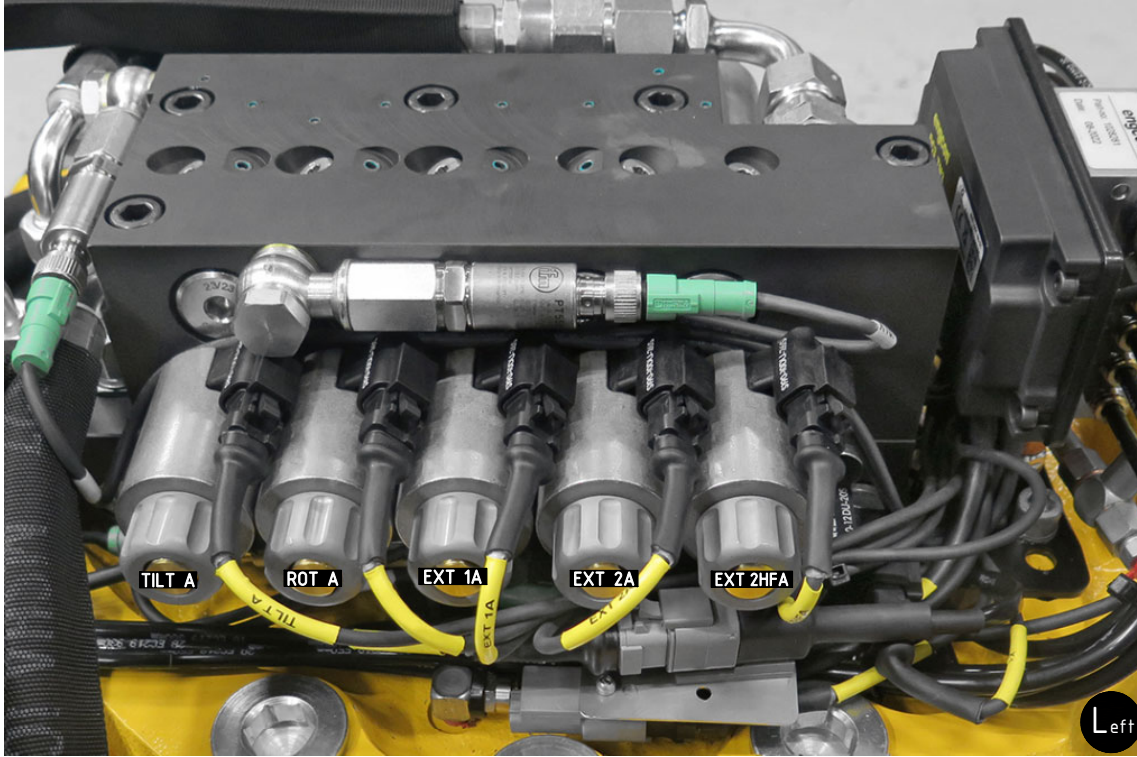


POS in order of assembly

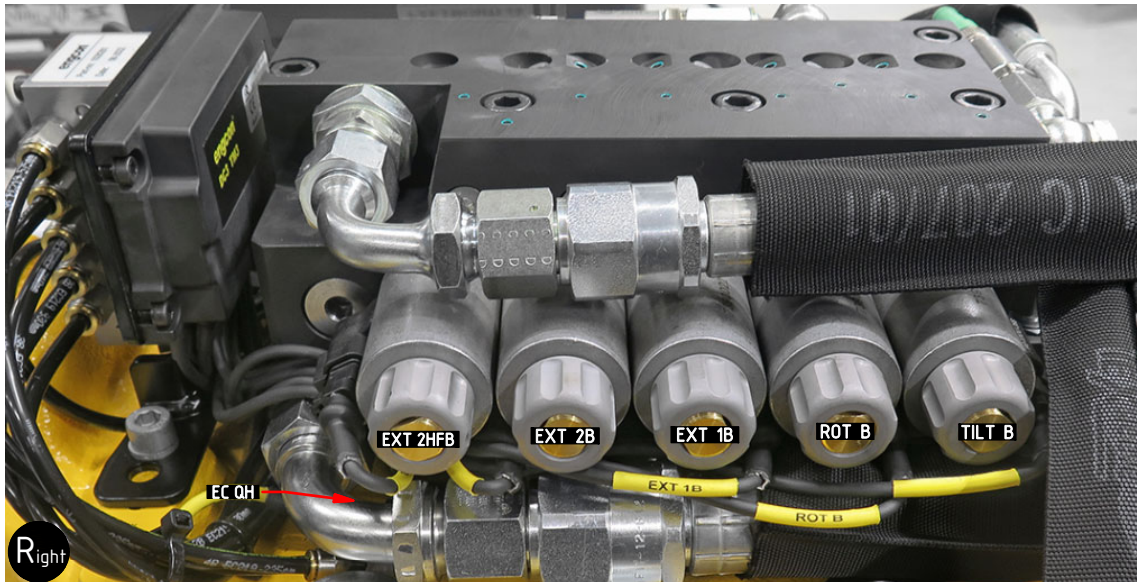
Valves

| POS | DESCRIPTION | PART | QTY | COMMENTS |
|-----|------------------------|---------|-----|-----------------------------------|
| 1 | Tiltrotator module DC3 | 8001501 | 1 | Must mount before top valve block |

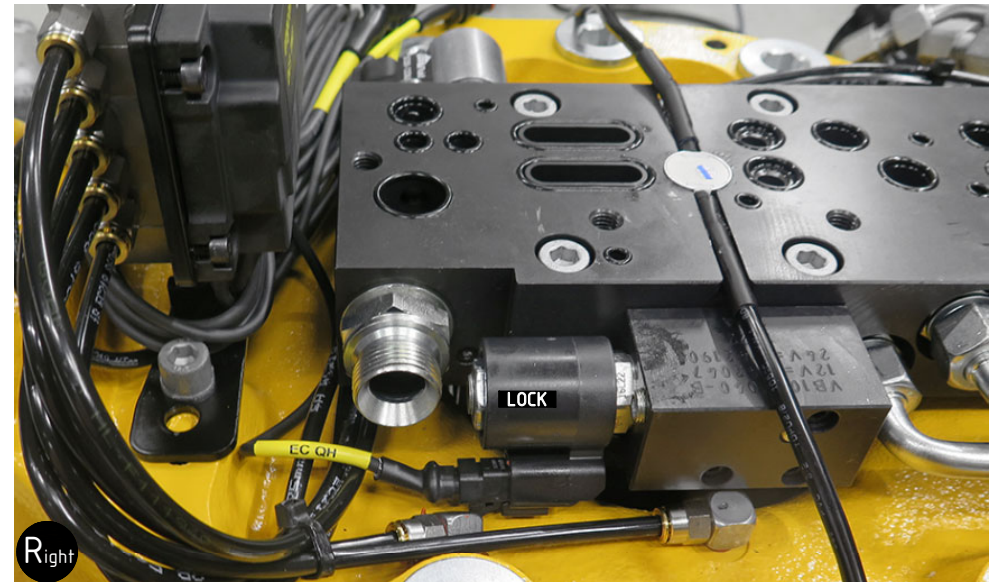
POS in order of assembly



Left



Right



Right

RELATED SPARE PARTS

| POS | DESCRIPTION | PART | QTY | COMMENTS |
|-----|-------------|---------|-----|---------------------------------|
| 31 | Hose Tilt | 7002162 | 4 | |
| 40 | Hose Tilt | 7000027 | 4 | Replaced by POS.31 from 2026-05 |

POS in order of assembly

Replaced from 2026-05

