

COVERSHEET

Planned document changes:


Briefly:

2026-04-06. Option "U" (w/o swivel) discontinued from 2024-10, move to spare parts.

Document changes:

Date:	Change:	Rev. after change:
2025-03-10	Bearing ring w. screws replaced. Nipple to frame added.	D
2024-05-16	Seal in end lock added.	C
2023-10-24	O-rings updated.	B
2022-11-11	Loxeal added.	A
2022-08-25	New document.	-

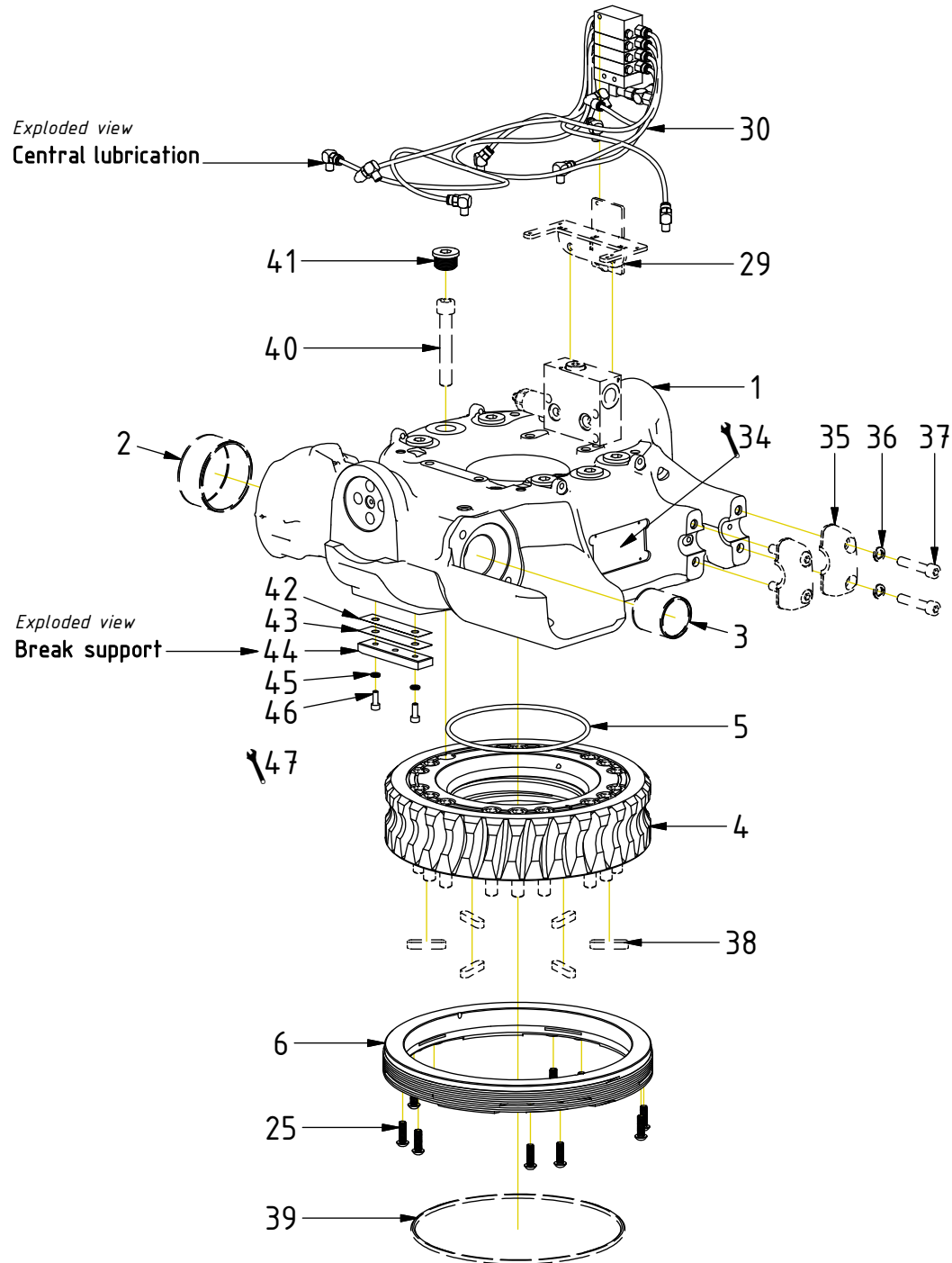
Readers note:

 Indicates instruction.

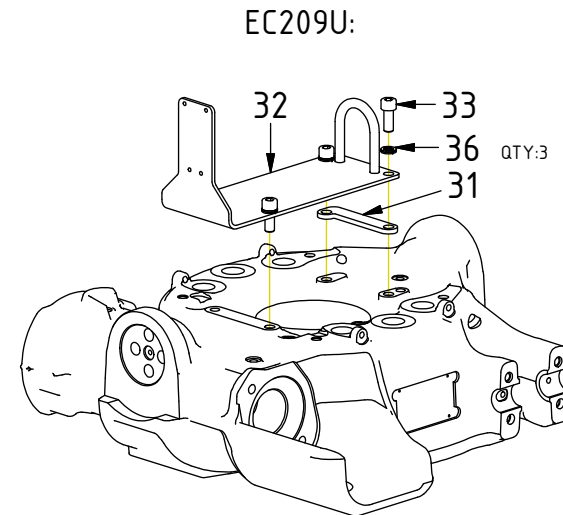
 Represents Hose.

Dashed lines for overview, mounts
on other pages/assemblies.

EC209B - Rotator frame



POS	DESCRIPTION	PART	QTY	COMMENTS
1	Rotator frame EC209B V2	1056657	1	(POS.2-3 incl.)
2	Bushing WB802 80/85x40	630103	1	
3	Bushing WB802 45/50x50	630102	1	
4	Worm wheel 18 holes	1054242	1	
5	O-ring 160x5 NBR 90	7001660	1	
6	Bearing ring EC209B V2	1077029	1	(Only compatible with 8x25)
25	Screw TX45 8x25 10,9 FZB	1078840	10	Torque: 34Nm Tighten in cross pattern
29	Mounting plate Central lub. QSM	1055574	1	Part of control system
30	Lubrication kit QSM	1056598	1	
31	Spacer valve block EC209	1058993	1	
32	Fastening plate EC209U	1039502	1	
33	Screw MC6S M10x25 12.9 ZFSL	6000195	3	
34	Punch serial no into rotator frame			
35	Clamping half Complete	1022942	4	Part of top part
36	Washer NL 10mm	611041	8	Part of top part
37	Screw MC6S M10x50 12.9 ZFSL	611515	8	Part of top part. Torque: 79Nm
38	Feather Key	650101	6	Part of quick hitch
39	O-ring 242x5 NBR 90	7001663	1	Part of quick hitch
40	Screw MC6S M14x90 12.9 ZFSL	6000158	18	Part of quick hitch. Torque: 217Nm
41	Pipe plug M26x1,5	650409	6	
42	Supporting plate shim 0,1 mm	1055262	1	
43	Supporting plate shim 0,3mm	1055260	1	
44	Supporting Plate EC209	1055258	1	
45	Washer NL 6mm	611039	2	
46	Screw MC6S M6x16 12.9 ZFSL	6000017	2	
47	Break play: 0,5mm - 0,7mm			Assy. between frame & quick hitch



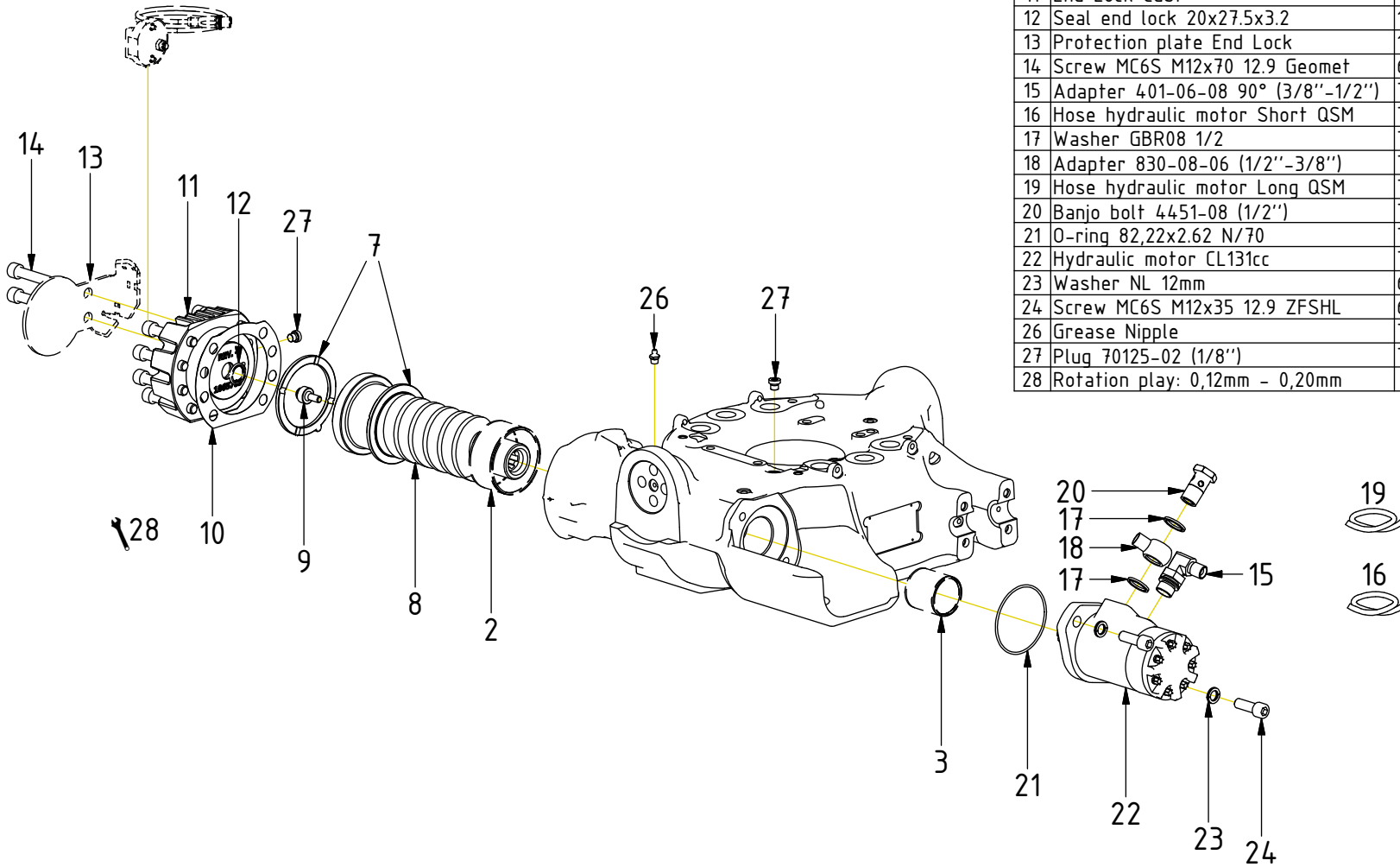
POS in order of assembly

EC209B - Rotator frame

POS in order of assembly

EC209BS:

Exploded view
ePS2 Sensors



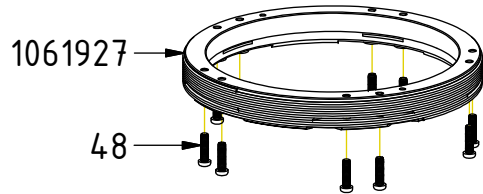
POS	DESCRIPTION	PART	QTY	COMMENTS
2	Bushing WB802 80/85x40	630103	1	
3	Bushing WB802 45/50x50	630102	1	
7	Axial washer (with ear)	1079941	2	Face grooves toward worm screw
8	Worm Screw	1016453	1	
9	Magnet Spacer Worm Screw	1062693	1	Loxeal 83-52. Torque: 20Nm
10	Shims kit End Lock 0,3-0,4-0,5mm	1034434	1	
11	End Lock Cast	1065789	1	(POS.12 incl.)
12	Seal end lock 20x27.5x3.2	1063616	1	
13	Protection plate End Lock	1063372	1	Part of control system
14	Screw MC6S M12x70 12.9 Geomet	611517	8	Torque: 136Nm
15	Adapter 401-06-08 90° (3/8"-1/2")	710157	1	
16	Hose hydraulic motor Short QSM	7001306	1	Part of quick hitch
17	Washer GBR08 1/2	710704	2	
18	Adapter 830-08-06 (1/2"-3/8")	710193	1	
19	Hose hydraulic motor Long QSM	7001307	1	Part of quick hitch
20	Banjo bolt 4451-08 (1/2")	710274	1	
21	O-ring 82,22x2.62 N/70	7000920	1	
22	Hydraulic motor CL131cc	720112	1	
23	Washer NL 12mm	611042	2	
24	Screw MC6S M12x35 12.9 ZFSL	6000150	2	Torque: 136Nm
26	Grease Nipple	711403	1	
27	Plug 70125-02 (1/8")	711503	2	
28	Rotation play: 0,12mm - 0,20mm			Note rotation play on module card

RELATED SPARE PARTS

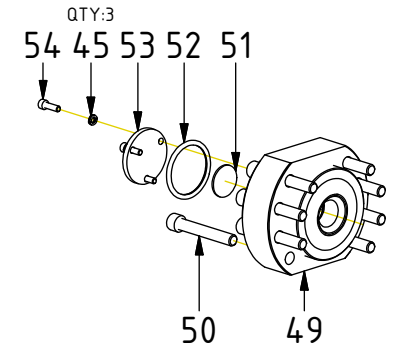
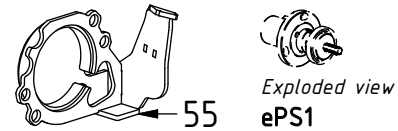
POS	DESCRIPTION	PART	QTY	COMMENTS
6	Bearing ring EC209B V2	1077029	1	(Only compatible with 8x25)
11	End Lock Cast	1065789	1	(POS.12 incl.)
25	Screw TX45 8x25 10,9 FZB	1078840	10	Torque: 34Nm Tighten in cross pattern
45	Washer NL 6mm	611039	2	
48	Screw TX45 M8x30 FZB 10,9	612201	10	Torque: 34Nm. Used with 1061927
49	End lock EC209 with or w/o ePS	1016557	1	Replaced by POS.11 between 2022-05 - 2022-10
50	Screw MC6S M12x80 12.9 ZFSHL	6000148	8	Torque: 136Nm
51	Spacer Plate	1065370	1	
52	O-ring 27x5	7000485	1	
53	Cover end lock w/o ePS	1041613	1	
54	Screw MC6S M6x20 A4-80	611513	3	
55	Protection ePS	1033565	1	

POS in order of assembly

Replaced from 2024-11:



EC209PS:



Used until 2022-01

