

COVERSHEET

Planned document changes:

Briefly:

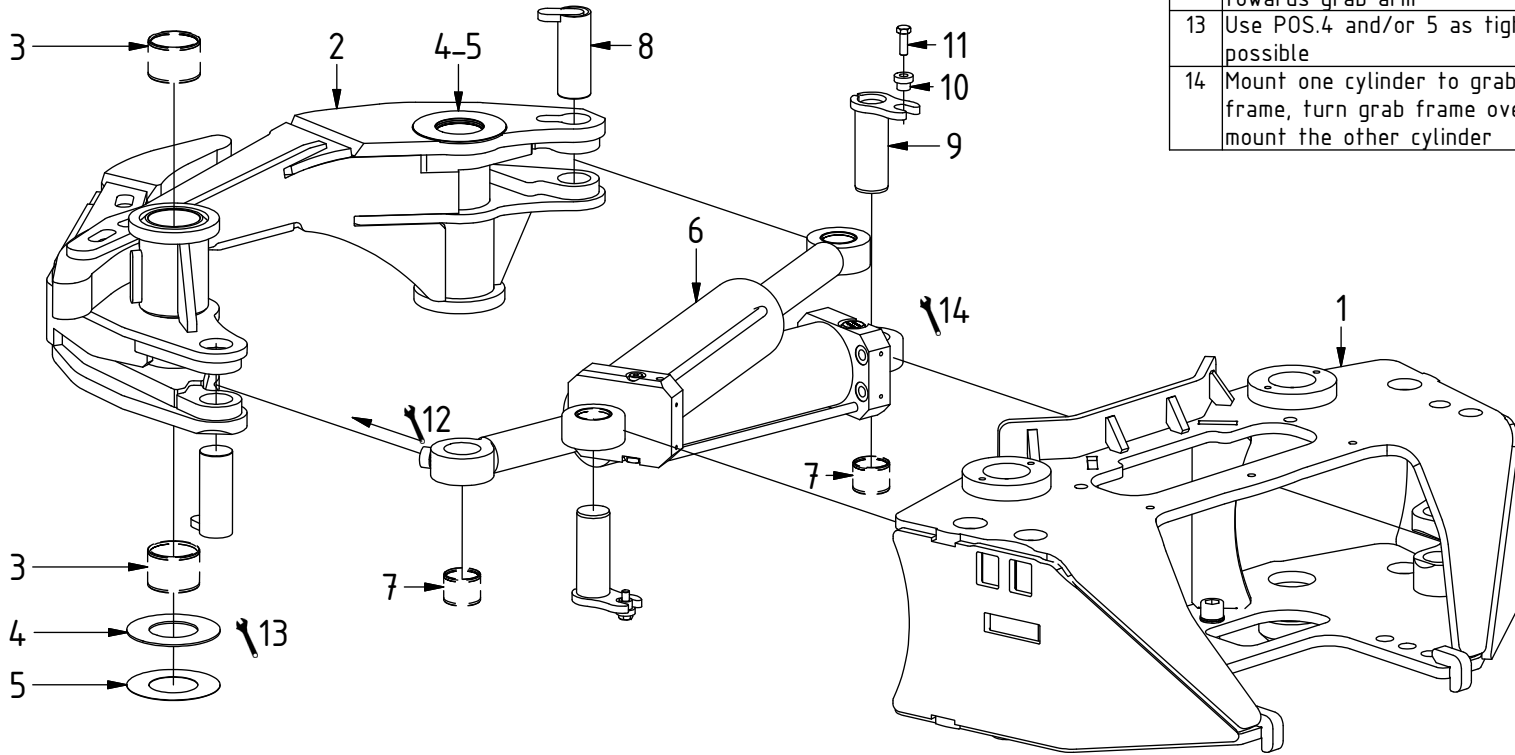
POS.1 will be replaced by 1065061 (backwards compatible).
POS.8 will be replaced by 1083164 (backwards compatible).
POS.29 will be replaced by 1083536 (backwards compatible).

Document changes:

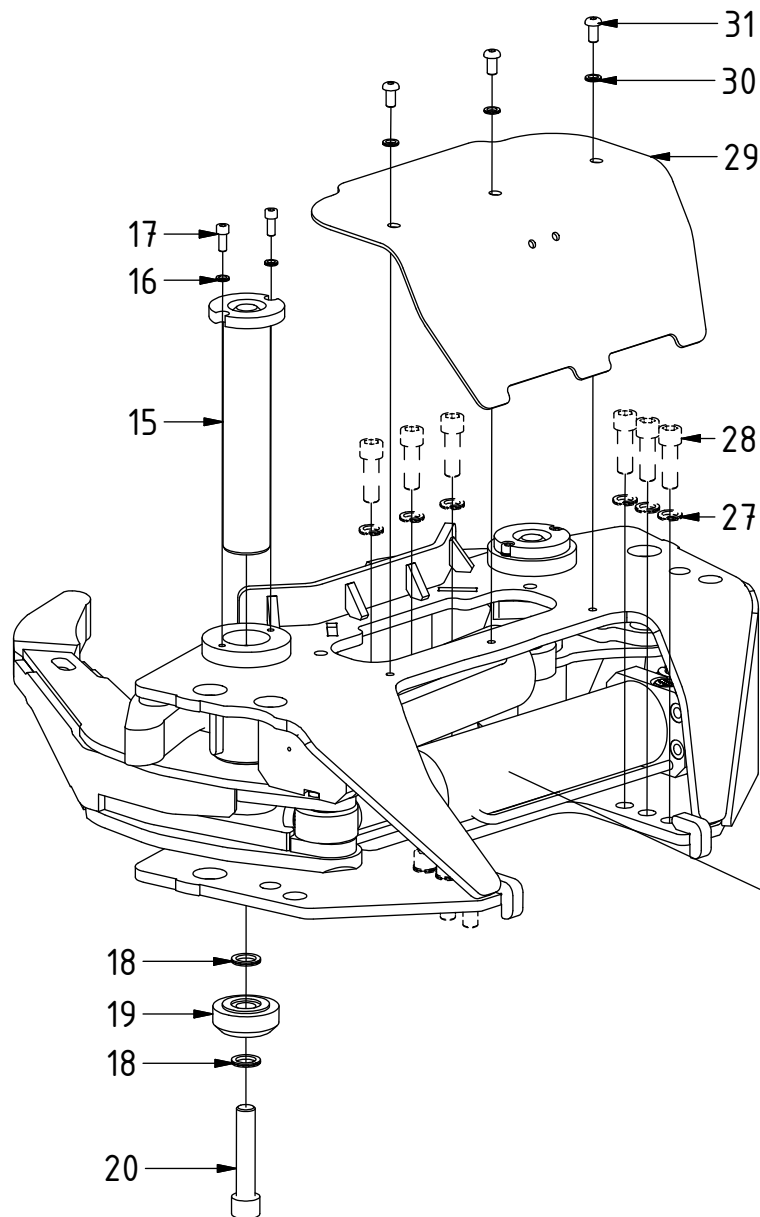
Date:	Change:	Rev. after change:
2023-08-16	Grab frame updated.	D
2018-11-30	Part no for cover corrected.	C
2018-01-17	3pcs MC6S 16x50 added.	B
2017-11-16	Grab arm axle replaced. Coversheet added.	A

Grab adapter GR20R2

POS	DESCRIPTION	PART	QTY	COMMENTS
1	Grab frame GR20R2	1065061	1	
2	Grab arm GR20R2	1033765	2	(POS.3 included)
3	Bushing WB082 50/55x40	630316	4	
4	Washer Ø98,8/51,8	1033780	2	
5	Washer Ø98,8/51,8 t0,5	1034752	2	
6	Grab cylinder GR20R2-rail complete	1032503	2	See "Grab cylinders" (POS.7 included)
7	Bushing 35/39x30	630315	4	
8	Axle grab cylinder (against grab arm)	1033783	2	
9	Axle grab cylinder (against frame)	1032520	2	
10	Spacer (small)	400127	2	
11	Screw M6S 8x25	610124	2	Loctite 2700
12	Face lube nipple (grab cylinder) towards grab arm			
13	Use POS.4 and/or 5 as tight as possible			
14	Mount one cylinder to grab frame, turn grab frame over and mount the other cylinder			

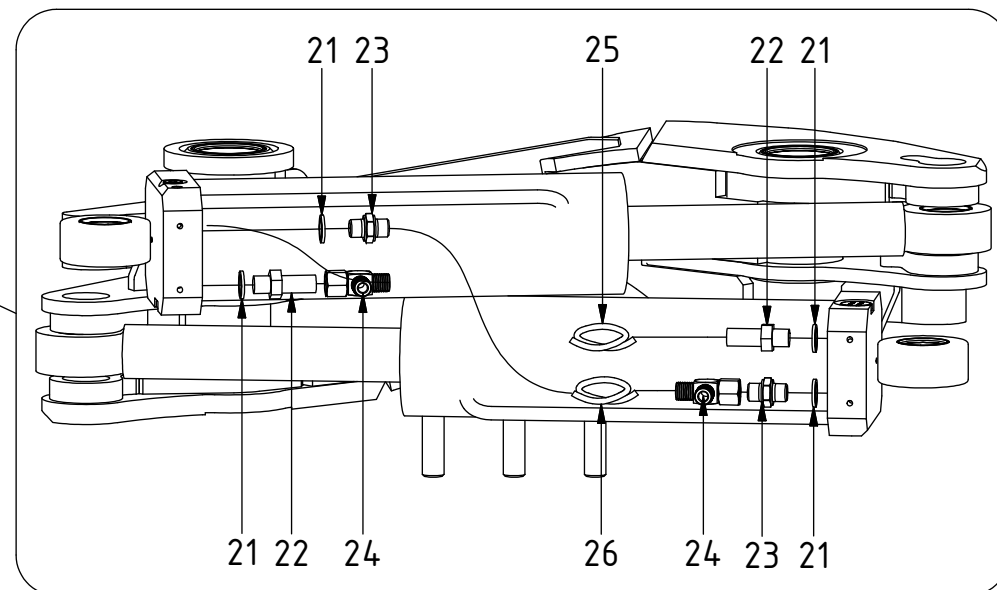


Grab adapter GR20R2



POS	DESCRIPTION	PART	QTY	COMMENTS
15	Axle Ø50 M20	1030543	2	
16	Washer NL 8mm	611040	4	
17	Screw MC6S 8x20	610433	4	
18	Washer NL20	611098	4	
19	Washer GR20RR	1024257	2	
20	Screw MC6S 20x100 ZFSHL	6000161	2	Torque: 649Nm (tighten during quick hitch assembly)
21	Washer GBR04 1/4	710702	4	
22	Bulkhead adapter 1/4"	710240	2	
23	Adapter 1/4"	710135	2	
24	Adapter 855-04-99	710280	1	
25	Hose Grab Short	7000262	1	
26	Hose Grab Long	7000263	1	
27	Washer NL16	611044	9	
28	Screw MC6S 16x50	610316	9	Torque: 333Nm (tighten during quick hitch assembly)
29	Cover GR20R2	1030542	1	
30	Washer NL10	611041	3	
31	Screw K6S M10x20	611812	3	

POS in order of assembly



Grab adapter GR20R2

POS	DESCRIPTION	PART	QTY	COMMENTS
25	Hose Grab Short	7000262	1	
26	Hose Grab Long	7000263	1	

