

COVERSHEET

Planned document changes:

Briefly:

Correct description POS.16: Banjo bolt 4451-02 (1/8").

Document changes:

Date:

Change:

Rev.

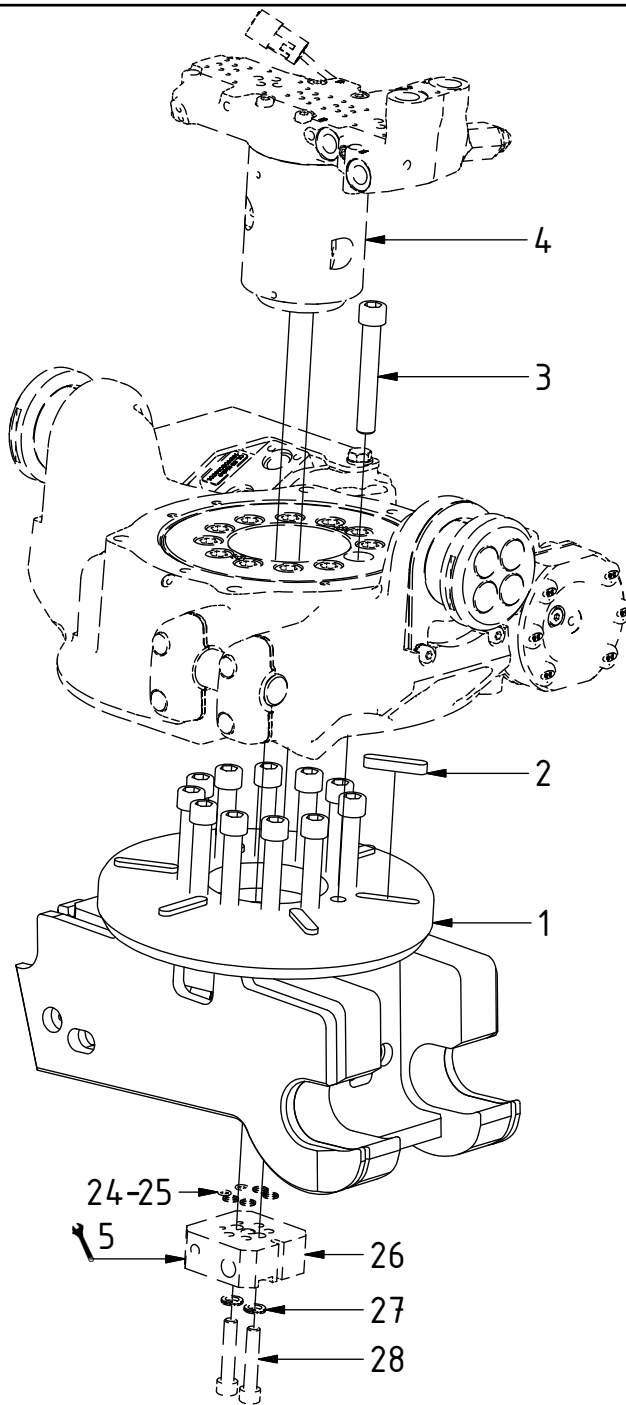
after change:

2021-10-19

New instruction.

-

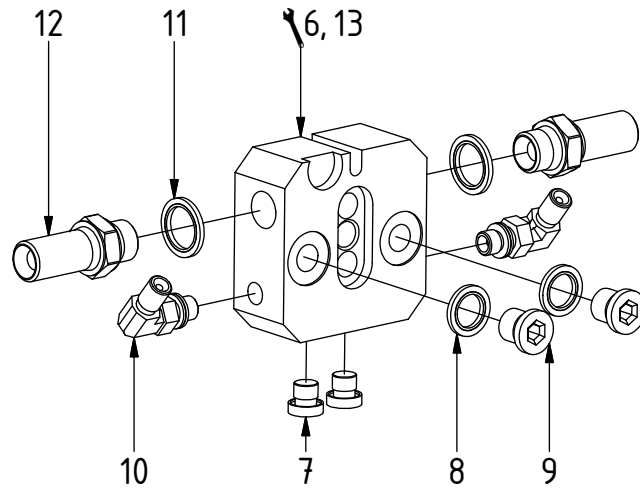
EC206 - HS03ECS



POS	DESCRIPTION	PART	QTY	COMMENTS
1	Quick hitch HS03ECS EC206	1060961	1	
2	Feather Key	650102	6	
3	MC6S M14x90 12.9 ZFSHL	6000158	12	Torque: 217Nm
4	Valve block & swivel Complete	1026703	1	(POS.24-28 included) Part of control system See "Valve blocks & swivels"
5	See p.3 connection block config.			
24	O-ring 6,1x1,6	710954	2	
25	O-ring 9,25x1,78	710901	4	
26	Connection Block EC206	1016582	1	
27	Washer NL10	611041	2	
28	MC6S M10x50 12.9 Geomet	611515	2	

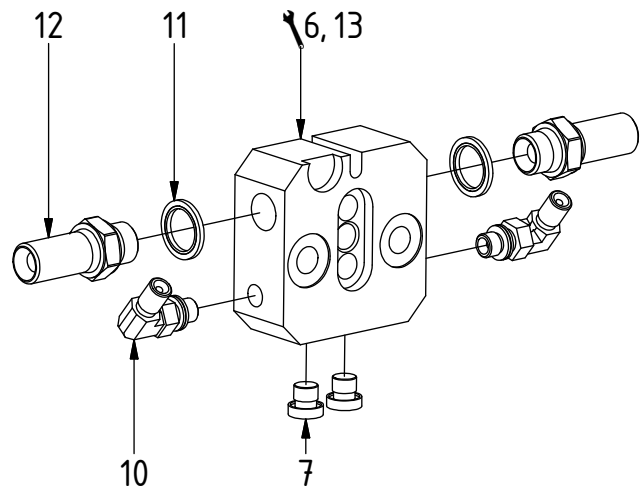
POS in order of assembly

Standard



POS	DESCRIPTION	PART	QTY	COMMENTS
6	Disassemble connection block from swivel			
7	Plug 70125-02 (1/8")	711503	2	
8	Washer GBR04 1/4	710702	2	QTY: 8 for Dbl.Extra
9	Plug 153-04 (1/4")	711505	2	
10	Adapter 401-02-02 90° (1/8")	710293	2	
11	Washer GBR06 3/8	710703	4	
12	Adapter 1260-06-32 (3/8")	710242	2	
13	Reassemble connection block to swivel			

Dbl.Extra

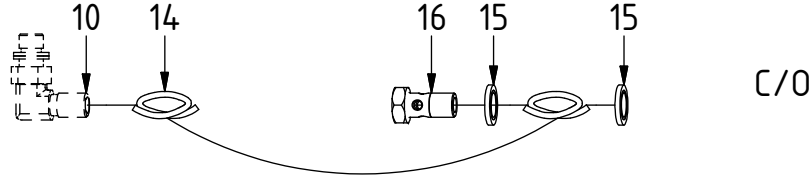


EC206 - HS03ECS

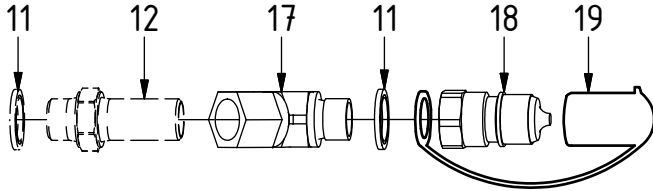
POS in order of assembly

POS	DESCRIPTION	PART	QTY	COMMENTS
8	Washer GBR04 1/4	710702	2	QTY: 8 for Dbl.Extra
10	Adapter 4.01-02-02 90° (1/8")	710293	2	
11	Washer GBR06 3/8	710703	4	
12	Adapter 1260-06-32 (3/8")	710242	2	
14	Hose Lock	7000721	2	
15	Washer GBR02 1/8	710701	4	
16	Banjo bolt 4451-02 (1/2")	710277	2	
17	Adapter 45-06-06 45° (3/8")	710211	2	
18	Quick coupling 3/8"	790113	2	
19	Dust protection	790120	2	
20	Hose Extra 2	7000580	2	
21	Banjo bolt 4451-04 (1/4")	710271	2	
22	Quick coupler	790110	2	
23	Dust protection	790119	2	

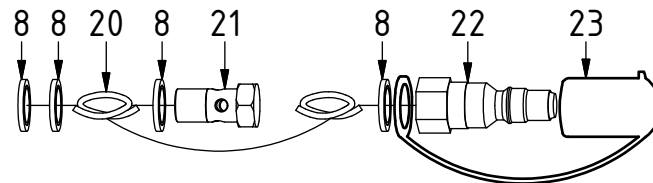
Lock:



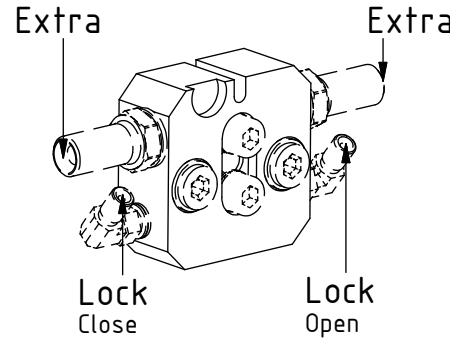
Extra:
Standard



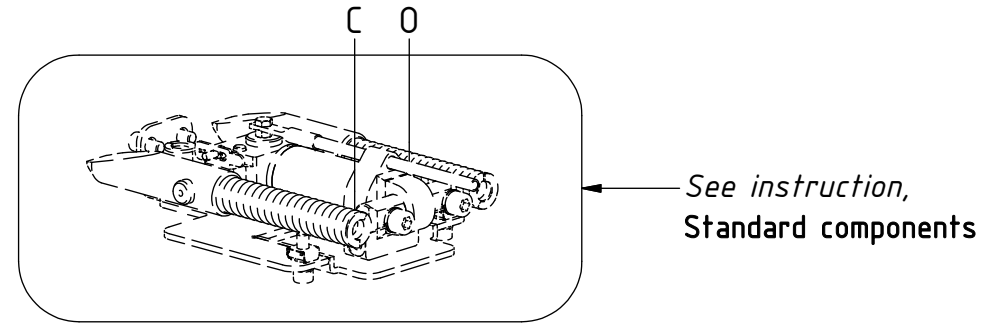
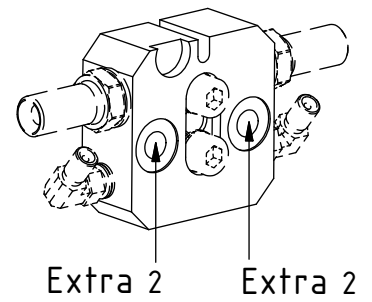
Extra 2:
Option
Dbl.Extra



Standard Extra:



Dbl.Extra:

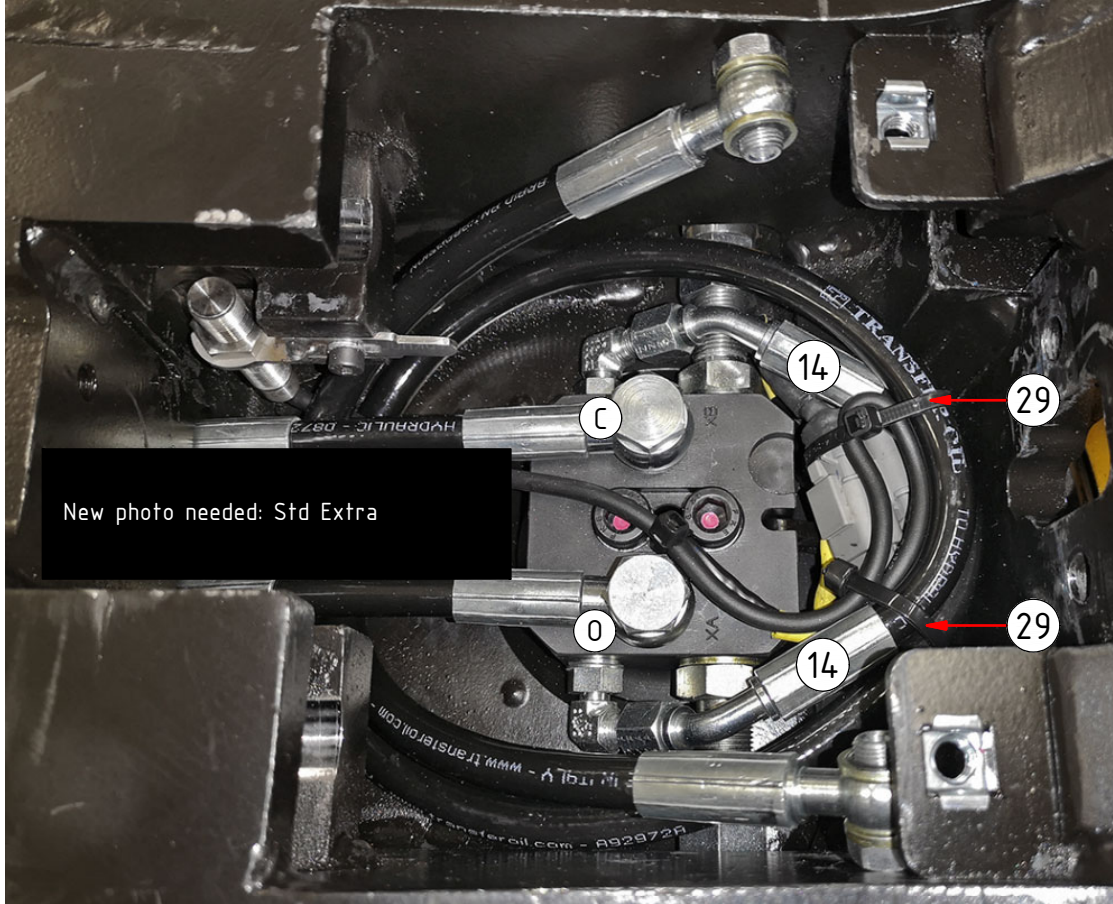


EC206 - HS03ECS

POS	DESCRIPTION	PART	QTY	COMMENTS
14	Hose Lock	7000721	2	
20	Hose Extra 2	7000580	2	
29	Cable tie 4,8x360	1021586	1	

POS in order of assembly

Standard



Dbl.Extra

